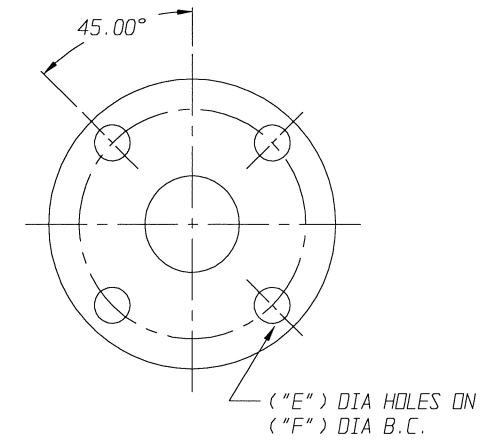
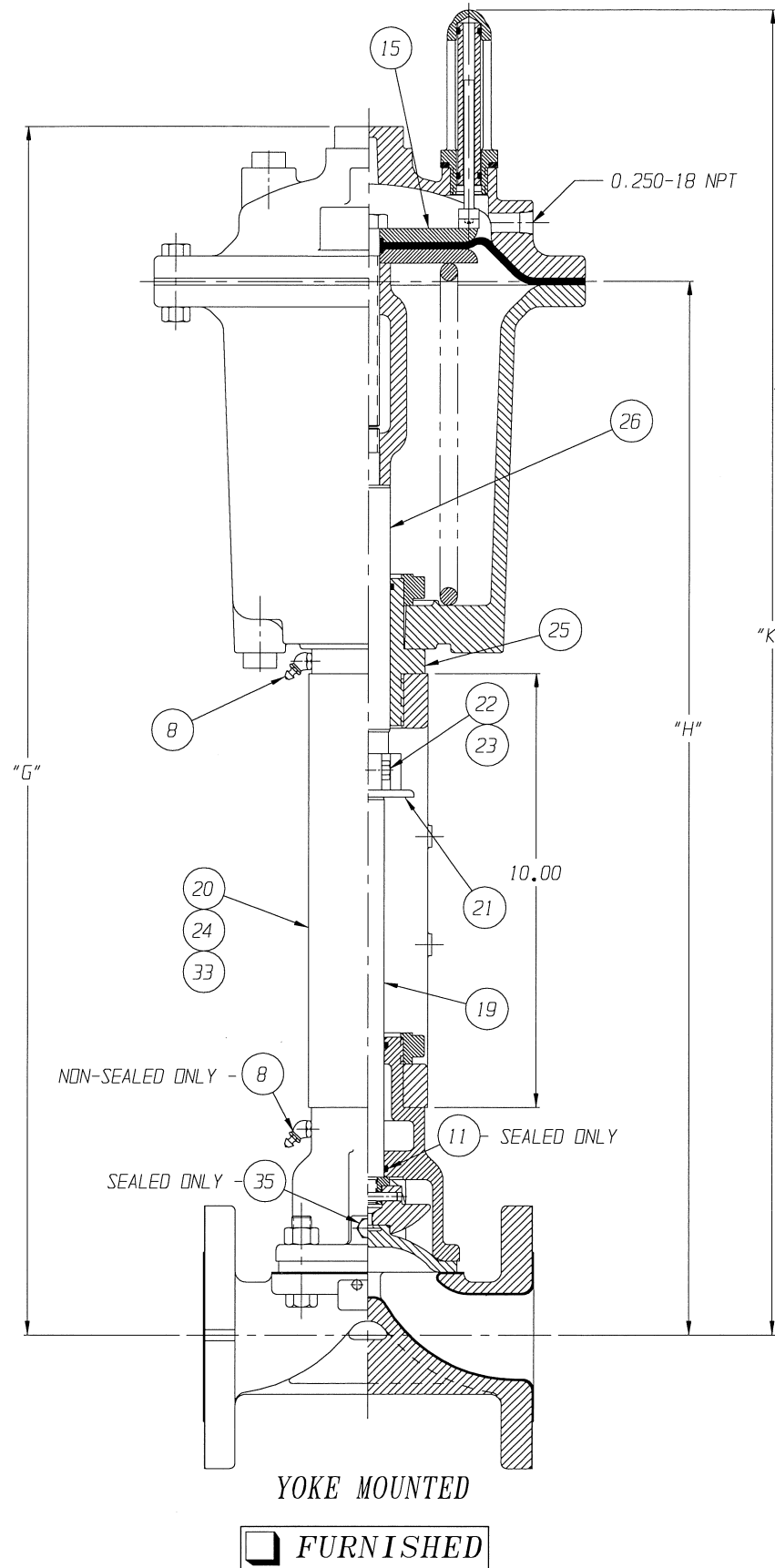
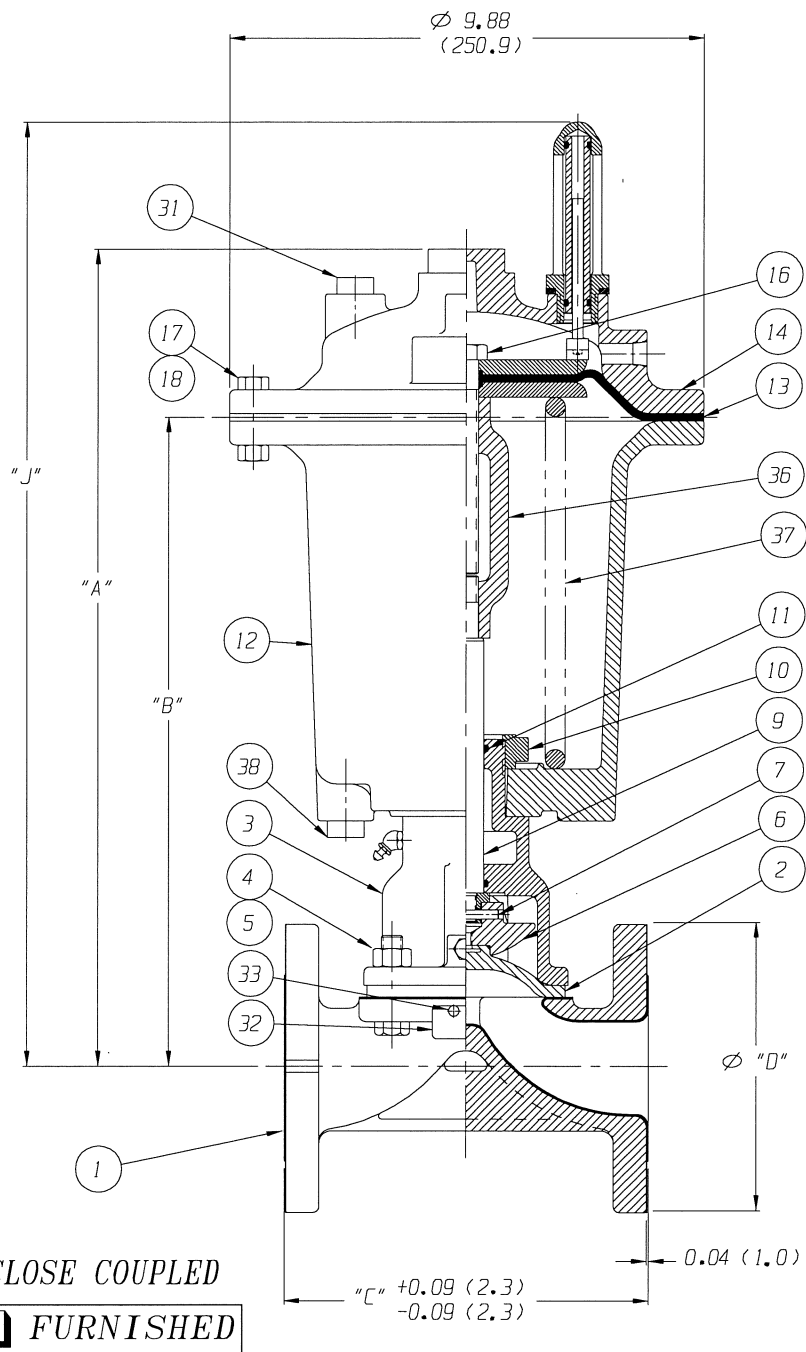
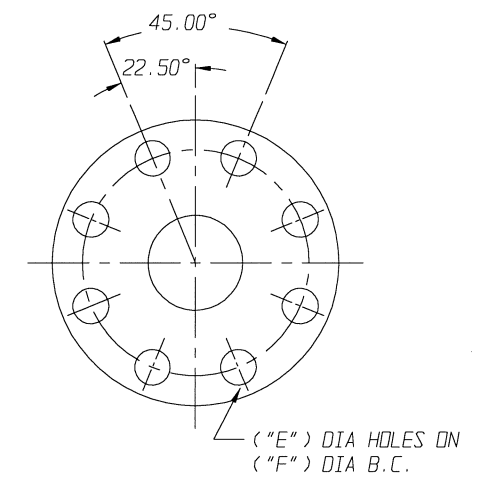


POSITION INDICATOR IS SHOWN 180° FROM TRUE POSITION



00.50 - 03.00 FLANGE

FURNISHED



04.00 FLANGE

FURNISHED

ITEM _____ SHEET _____ OF _____

SIZE _____ FIG. NO. _____

ECN# 146

ITT ENGRD VLVS ORDER: _____

CUSTOMER: _____

CUSTOMER P.O.: _____

ISSUED BY: _____ CERTIFIED BY: _____

REV	DATE	ECN NBR	BY	CHKD	APVD	DATE	BY
-	-	-	-	-	-	DATE	BY
-	-	-	-	-	-	DWN 9/11/96	JRD
-	-	-	-	-	-	CHKD 9/12/96	JLW
A	12/17/97	3231	DLH	JLW	KEH	APVD 9/16/96	RRK

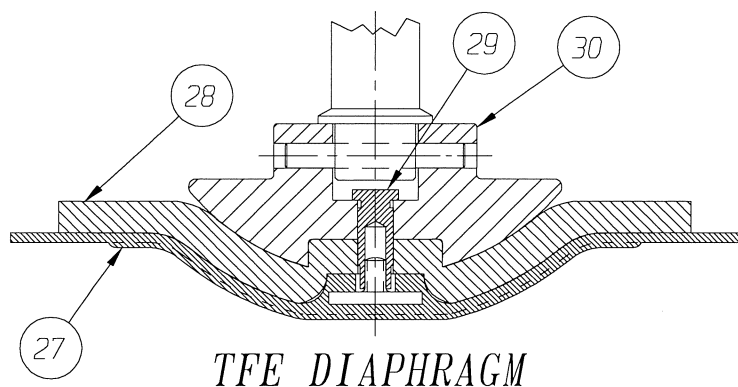
VALVE ASSEMBLY
WEIR 00.50 THRU 04.00
#25 DIRECT ACTUATOR
WITH FLANGED ENDS
GLASS LINED

ITT Engineered Valves
ITT Fluid Technology Corporation
Lancaster, Pa

CS	D	004244	REV A
		SHEET 1 OF 2	

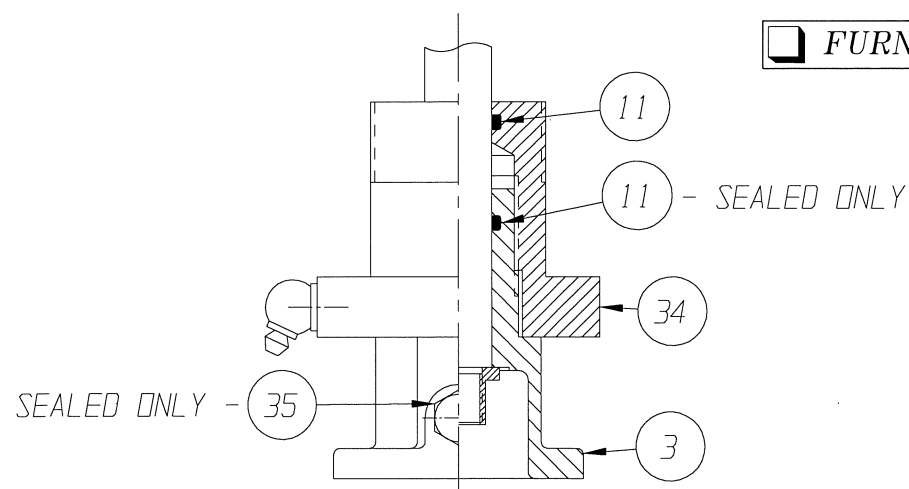
VALVE SIZE	'A'	'B'	'C'	'D' DIA	'E' DIA	'F' DIA	'G'	'H'	'J'	'K'	QTY. BONNET CAP SCREWS, STUDS/NUTS	O-RING
00.50	14.68 (372.9)	11.15 (283.2)	4.12 (104.6)	3.50 (88.9)	0.62 (15.7)	2.38 (60.4)	25.25 (641.4)	21.72 (551.7)	17.33 (440.2)	27.90 (708.7)	4	#114
00.75	14.94 (379.5)	11.41 (289.8)	5.62 (142.7)	3.88 (98.5)	0.62 (15.7)	2.75 (69.8)	25.51 (648.0)	21.98 (558.3)	17.59 (446.8)	28.16 (715.3)	4	
01.00	15.81 (401.6)	12.43 (315.7)	5.62 (142.7)	4.25 (107.9)	0.62 (15.7)	3.12 (79.2)	26.38 (670.1)	23.00 (584.2)	18.62 (472.9)	29.18 (741.2)	4	
01.25	16.86 (428.2)	13.33 (338.6)	6.62 (168.1)	5.00 (127.0)	0.62 (15.7)	3.50 (88.9)	27.43 (696.7)	23.90 (607.1)	19.51 (495.6)	30.08 (764.0)	4	#116
01.50						3.88 (98.5)						
02.00	17.35 (440.7)	13.82 (351.0)	7.62 (192.5)	6.00 (152.4)	0.75 (19.0)	4.75 (120.6)	27.92 (709.2)	24.39 (619.5)	20.00 (508.0)	30.57 (776.5)	4	
02.50	18.31 (465.1)	14.78 (375.4)	8.62 (218.9)	7.00 (177.8)	0.75 (19.0)	5.50 (139.7)	28.88 (733.5)	25.35 (643.9)	20.96 (532.4)	31.53 (800.9)	4	
03.00	18.60 (472.4)	15.07 (382.8)	10.12 (257.0)	7.50 (190.5)	0.75 (19.0)	6.00 (152.4)	29.17 (740.9)	25.64 (651.2)	21.25 (540.0)	31.82 (808.2)	4	#214
04.00	19.95 (506.7)	16.42 (417.1)	12.62 (320.5)	9.00 (228.6)	0.75 (19.0)	7.50 (190.5)	30.52 (775.2)	26.99 (685.5)	22.60 (574.0)	33.17 (842.5)	8	

DIMENSIONS SHOWN IN () PARENTHESES ARE MILLIMETERS.



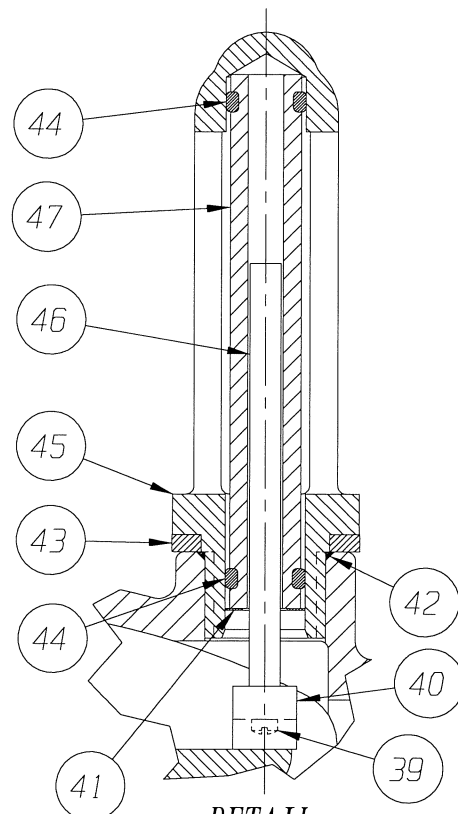
TFE DIAPHRAGM

FURNISHED



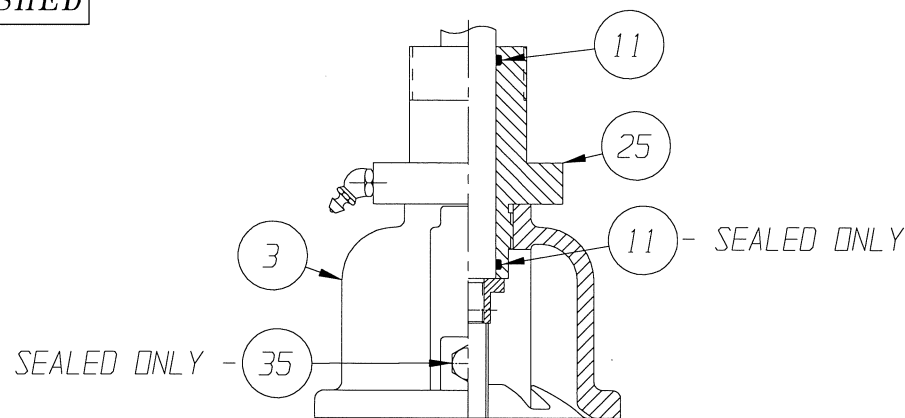
BONNET W/ADAPTER SPOOL
00.50 THRU 01.00 CLOSE COUPLED
& YOKE MOUNTED.

FURNISHED



DETAIL
POSITION INDICATOR
(OPTIONAL)

FURNISHED



S.S. BONNET W/ADAPTER BUSHING
01.25 THRU 04.00 CLOSE COUPLED
& YOKE MOUNTED.

FURNISHED

LIST OF PARTS			
ITEM	DESCRIPTION	MATERIAL	QTY.
1	BODY, FLANGED GLASS LINED	-	1
* 2	DIAPHRAGM, ELASTOMER	-	1
3	BONNET, ADAPTER	-	1
4	HEX, CAP SCREWS OR STUDS	-	SEE CHART
5	NUTS	-	SEE CHART
6	COMPRESSOR, F/ ELASTOMER DIAPHRAGM	-	1
7	PIN, SPIROL	STN. STL. TYPE 302	1
8	FITTING, LUBE #1744-B	-	AR
9	SPINDLE, VALVE	STN. STL. A-582, TYPE 303	1
10	NUT, ADAPTER BUSHING	M.I. A-47, GR. 32510	AR
* 11	O-RING 'SEE CHART'	BUNA-N	AR
12	COVER, LOWER	ALUMINUM	1
* 13	DIAPHRAGM, AIR MOTOR	BUNA-N	1
14	COVER, UPPER	ALUMINUM	1
15	PLATE, ACTUATOR	C.I. A-126, CL. B	2
16	SCREW, HEX. HD. CAP	CAR. STL.	1
17	SCREW, HEX HD. CAP	CAR. STL.	9
18	NUT, HEX	CAR. STL.	9
19	SPINDLE, VALVE YOKE	STN. STL. A-582, TYPE 303	1
20	YOKE	D.I. A-395, GR. 60-40-18	1
21	COUPLING, HALF	STN. STL. A-351, GR. CFB	2
22	SCREW, HEX HD. CAP	CAR. STL.	2
23	NUT, HEX	CAR. STL.	2
24	SCALE, INDICATING	STN. STL.	1
25	BUSHING, ADAPTER	CAR. STL. A-108, GR. 12L14	AR
26	SPINDLE, ACTUATOR	STN. STL. A-582, TYPE 302	1
* 27	DIAPHRAGM, PTFE	R2	1
* 28	CUSHION, BACKING	ELASTOMER	1
29	NUT, TUBE	BRASS B-16, C36000 H02	1
30	COMPRESSOR, F/ PTFE DIAPHRAGM	-	1
31	PLUG, PIPE	CAR. STL. A-181, GR. 1	2
32	PLATE, IDENTIFICATION	STN. STL. A-240, TYPE 304	1
33	SCREW, DRIVE TYPE U	CAR. STL. SAE GR. 2	4
34	SPOOL, ADAPTER	CAR. STL. A-108, GR. 12L14	1
35	PLUG, VENT	STN. STL. TYPE 304	1
36	SPINDLE, HEAD	D.I. ASTM A395 GR.60-40-18	1
37	SPRING NO. 103	STEEL ASTM A227	1
38	PLUG, PIPE	PLASTIC	1
39	SCREW, MACHINE FILLISTER HD.	STN. STL. 18-8	1
40	MAGNET, CRUCIBLE U-181	-	1
41	RING, RETAINING	STEEL	1
* 42	O-RING #115	BUNA-N	1
43	SPACER, INDICATOR HOUSING	ALUMINUM B-211	1
* 44	O-RING #110	BUNA-N	2
45	HOUSING, INDICATOR	ALUMINUM B-26	1
46	ROD, INDICATOR	ALUMINUM B-211	1
47	TUBE, INDICATOR	PLASTIC	1

* RECOMMENDED SPARE PARTS

ITEM _____ SHEET _____ OF _____

ECN# 146

ITT ENGRD VLVS ORDER: _____
 CUSTOMER: _____
 CUSTOMER P.O.: _____
 ISSUED BY: _____ CERTIFIED BY: _____

REV	DATE	ECN NBR	BY	CHKD	APVD	DATE	BY
-	-	-	-	-	-	DATE	BY
-	-	-	-	-	-	DWN 9/11/96	JRD
-	-	-	-	-	-	CHKD 9/12/96	JLW
A	12/17/97	3231	DLH	JLW	KEH	APVD 9/16/96	RRK

VALVE ASSEMBLY
WEIR 00.50 THRU 04.00
#25 DIRECT ACTUATOR
WITH FLANGED ENDS
GLASS LINED

ITT Engineered Valves
 ITT Fluid Technology Corporation
 Lancaster, Pa

CS D 004244 REV A
 SHEET 2 OF 2