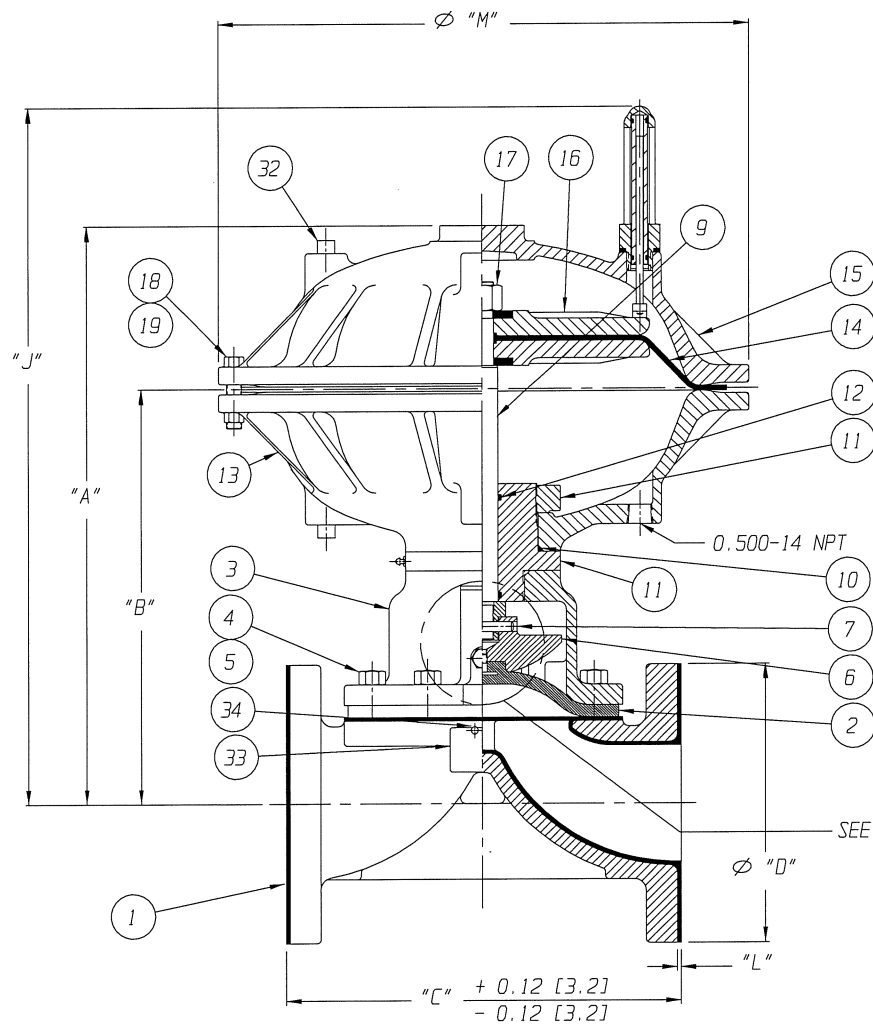
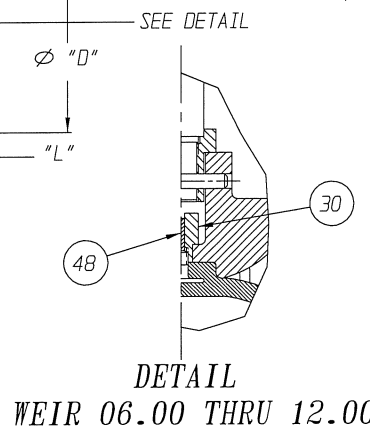


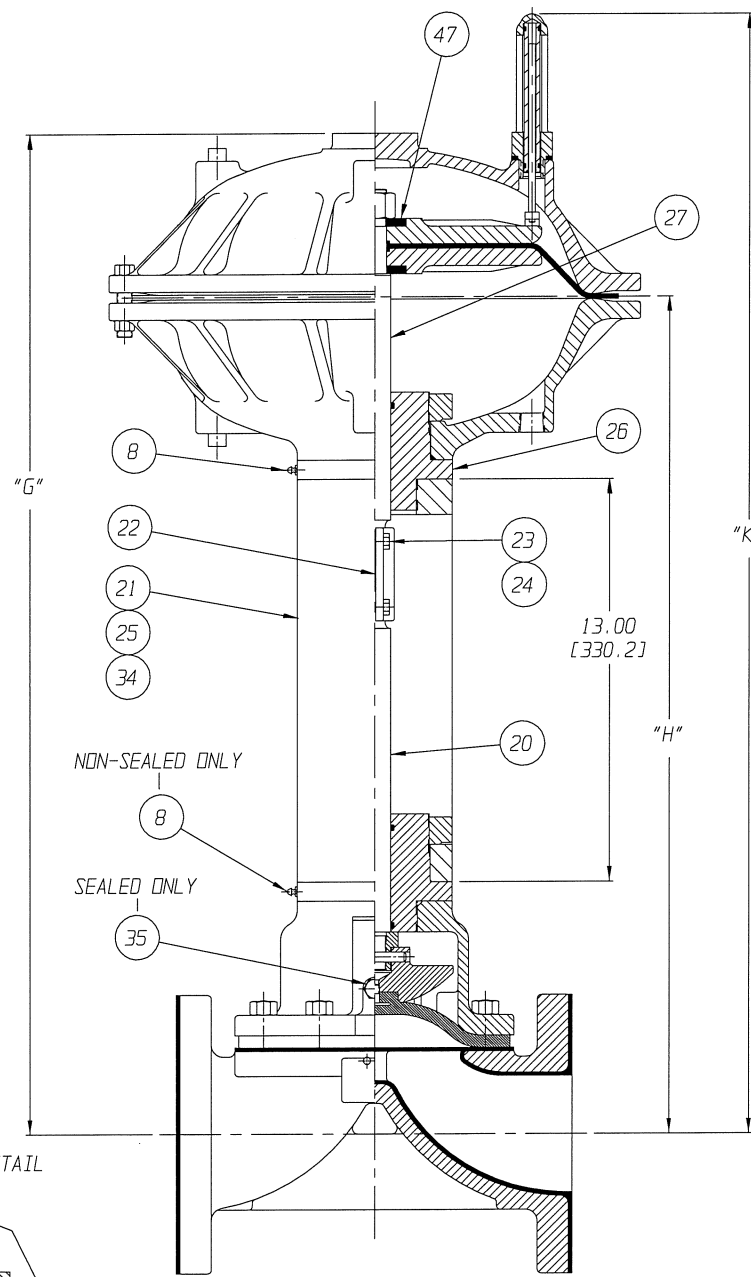
POSITION INDICATOR IS SHOWN 90° FROM TRUE POSITION



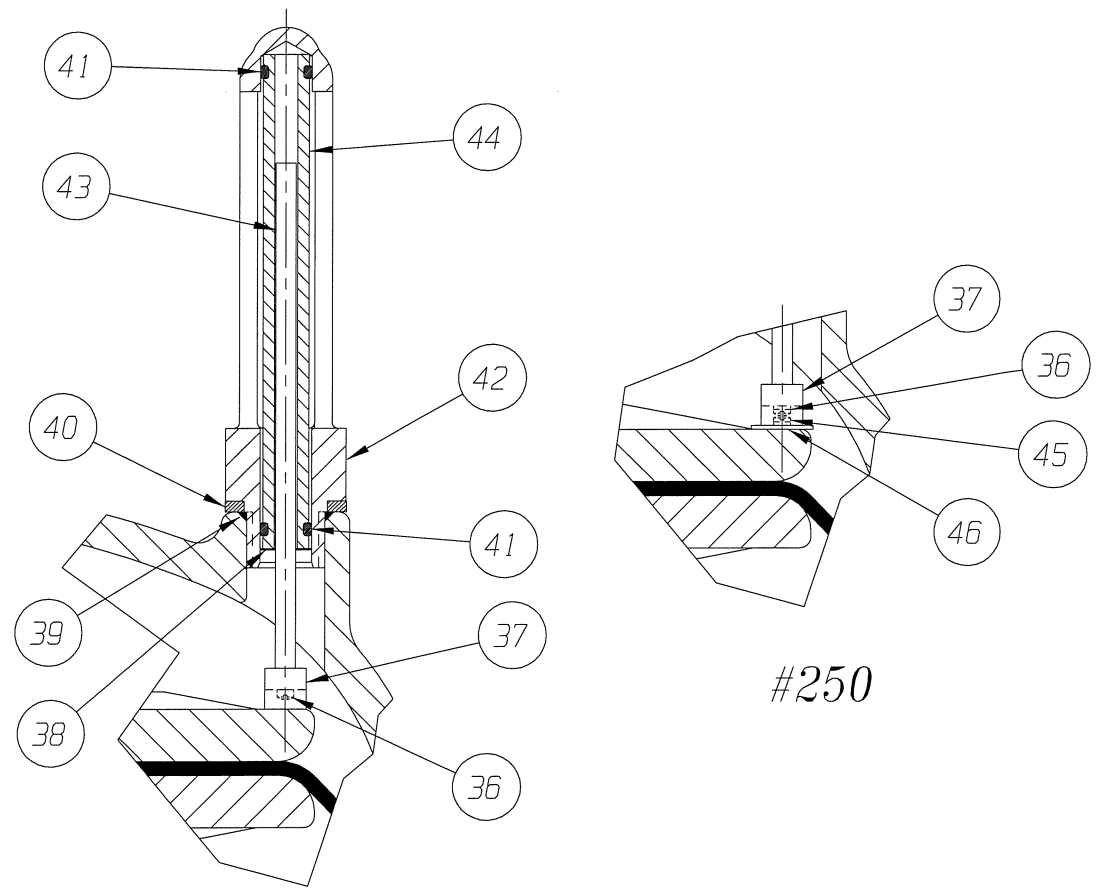
CLOSE COUPLED



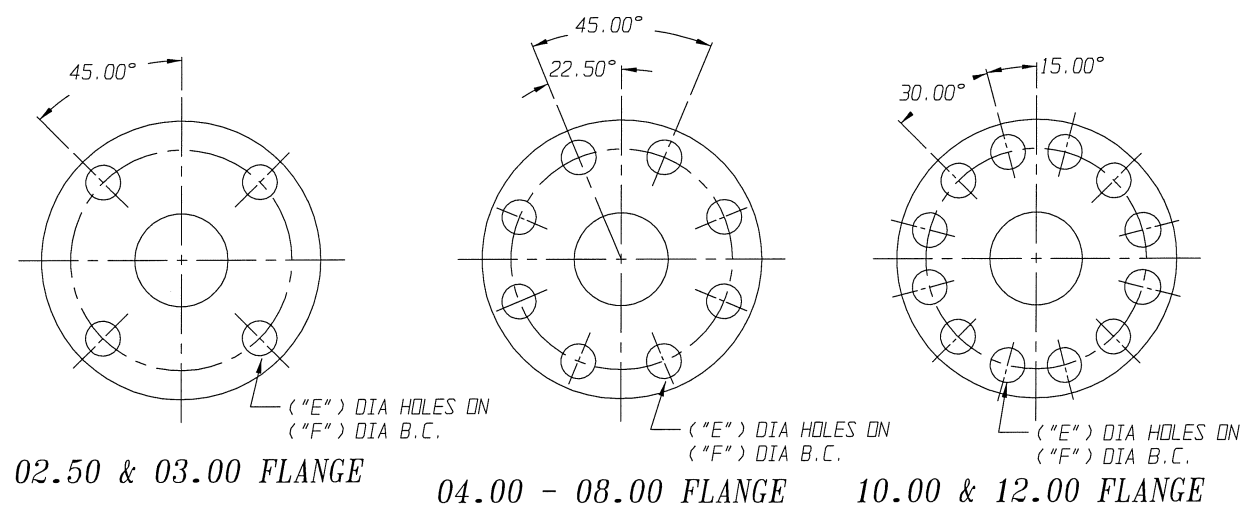
DETAIL WEIR 06.00 THRU 12.00



YOKE MOUNTED



DETAIL: POSITION INDICATOR (OPTIONAL)



02.50 & 03.00 FLANGE 04.00 - 08.00 FLANGE 10.00 & 12.00 FLANGE

UNLESS OTHERWISE SPECIFIED, DIMENSIONS NOT SHOWN IN BRACKETS [] ARE IN INCHES. DIMENSIONS SHOWN IN BRACKETS [] ARE IN MILLIMETERS.

ENGRD VALVES ORDER: -	ITEM: -	THIRD ANGLE PROJECTION	DATE	BY	VALVE ASSEMBLY WEIR 02.50 THRU 12.00 #101 THRU #250 DBL ACT WITH FLANGED ENDS RUBBER LINED
FIGURE NO.: -			DWN 01/08/97	JRD	ITT Engined Valves www.engvalves.com
CUSTOMER: -			CHKD 01/24/97	JLW	
CUSTOMER P.D.: -			APVD 01/31/97	RRK	
ALL DIMENSIONS SHOWN ON THIS DRAWING ARE FOR REFERENCE ONLY			MASTER DWG: 004400-1/2/-	ECN# 146	ISSUED BY: -
					SHEET 1 OF 2 REV -

101 AIR MOTOR

VALVE SIZE	'A'	'B'	'C'	'D' DIA	'E' DIA	'F' DIA	'G'	'H'	'J'	'K'	'L'	'M'	QTY. BONNET CAP SCREWS STUDS/NUTS
02.50	16.53 [419.9]	11.25 [285.8]	8.75 [222.3]	7.00 [177.8]	0.75 [19.0]	5.50 [139.7]	30.15 [765.8]	24.87 [631.7]	20.36 [517.1]	33.98 [863.1]	0.12 [3.0]		4
03.00	17.14 [435.4]	11.86 [301.2]	10.25 [260.4]	7.50 [190.5]	0.75 [19.0]	6.00 [152.4]	30.75 [781.0]	25.48 [647.2]	20.97 [532.6]	34.60 [878.8]	0.12 [3.0]		4
04.00	18.50 [469.9]	13.22 [335.8]	12.75 [323.9]	9.00 [228.6]	0.75 [19.0]	7.50 [190.5]	32.12 [815.8]	26.84 [681.7]	22.34 [567.4]	35.96 [913.4]	0.12 [3.0]	17.12 [434.8]	8
06.00	21.31 [541.3]	16.00 [406.4]	16.38 [416.0]	11.00 [279.4]	0.88 [22.3]	9.50 [241.3]	34.92 [887.0]	29.63 [752.6]	25.13 [638.3]	38.75 [984.3]	0.19 [4.8]		10
08.00	25.41 [645.4]	20.12 [511.0]	20.88 [530.4]	13.50 [342.9]	0.88 [22.4]	11.75 [298.4]	39.04 [991.6]	33.75 [857.3]	29.25 [743.0]	42.87 [1088.9]	0.19 [4.8]		14

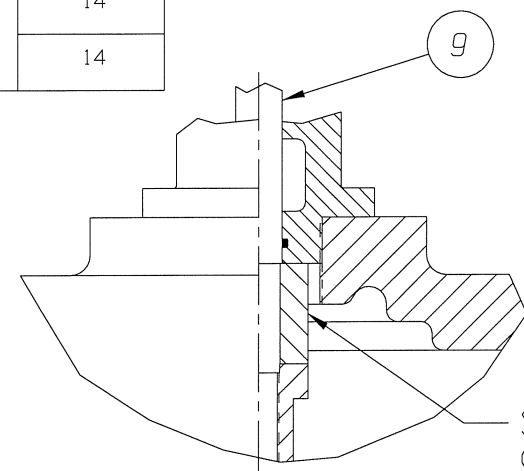
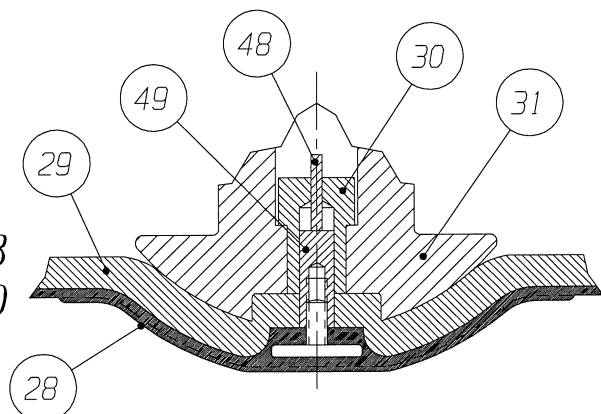
130 AIR MOTOR

VALVE SIZE	'A'	'B'	'C'	'D' DIA	'E' DIA	'F' DIA	'G'	'H'	'J'	'K'	'L'	'M'	QTY. BONNET CAP SCREWS STUDS/NUTS
02.50	16.65 [422.9]	11.07 [281.2]	8.75 [222.3]	7.00 [177.8]	0.75 [19.0]	5.50 [139.7]	30.26 [768.6]	24.69 [627.1]	20.32 [516.1]	33.94 [862.1]	0.12 [3.0]		4
03.00	17.27 [438.7]	11.69 [296.9]	10.25 [260.4]	7.50 [190.5]	0.75 [19.0]	6.00 [152.4]	30.88 [784.3]	25.31 [642.9]	20.94 [531.9]	34.56 [877.8]	0.12 [3.0]		4
04.00	18.63 [473.2]	13.05 [331.5]	12.75 [323.9]	9.00 [228.6]	0.75 [19.0]	7.50 [190.5]	32.25 [819.2]	26.67 [677.4]	22.30 [566.4]	35.92 [912.4]	0.12 [3.0]	19.00 [482.6]	8
06.00	21.42 [544.1]	15.84 [402.3]	16.38 [416.0]	11.00 [279.4]	0.88 [22.3]	9.50 [241.3]	35.04 [890.0]	29.46 [748.3]	25.09 [637.3]	38.71 [983.2]	0.19 [4.8]		10
08.00	25.54 [648.7]	19.96 [507.0]	20.88 [530.4]	13.50 [342.9]	0.88 [22.4]	11.75 [298.4]	39.16 [994.7]	33.58 [852.9]	29.21 [741.9]	42.83 [1087.9]	0.19 [4.8]		14

250 AIR MOTOR

VALVE SIZE	'A'	'B'	'C'	'D' DIA	'E' DIA	'F' DIA	'G'	'H'	'J'	'K'	'L'	'M'	QTY. BONNET CAP SCREWS STUDS/NUTS
04.00	22.63 [574.8]	15.05 [382.3]	12.75 [323.9]	9.00 [228.6]	0.75 [19.0]	7.50 [190.5]	36.25 [920.8]	28.67 [728.2]	26.86 [682.2]	40.48 [1028.2]	0.12 [3.0]		8
06.00	25.42 [645.7]	17.84 [453.1]	16.38 [416.0]	11.00 [279.4]	0.88 [22.3]	9.50 [241.3]	39.04 [991.6]	31.46 [799.1]	29.65 [753.1]	43.27 [1099.1]	0.19 [4.8]		10
08.00	29.54 [750.3]	21.96 [557.8]	20.88 [530.4]	13.50 [342.9]	0.88 [22.4]	11.75 [298.4]	43.16 [1096.3]	35.58 [903.7]	33.77 [857.8]	47.39 [1203.7]	0.19 [4.8]	23.88 [606.5]	14
10.00	32.25 [819.2]	24.67 [626.6]	25.38 [644.7]	16.00 [406.4]	1.00 [25.4]	14.25 [361.9]	45.87 [1165.1]	38.29 [972.6]	36.48 [926.6]	50.10 [1272.5]	0.19 [4.8]		14
12.00	34.57 [878.1]	26.99 [685.5]	29.88 [759.0]	19.00 [482.6]	1.00 [25.4]	17.00 [431.8]	48.19 [1224.0]	40.61 [1031.5]	38.80 [985.5]	52.42 [1331.5]	0.19 [4.8]		14

TFE DIAPHRAGM
REFER TO NOTES 2 & 3
WEIR 02.50 THRU 10.00



BONNET SPACER DETAIL
WEIR 08.00 THRU 12.00

LIST OF PARTS			
ITEM	DESCRIPTION	MATERIAL	QTY.
1	BODY, FLANGED RUBBER LINED	--	1
* 2	DIAPHRAGM, ELASTOMER	-	1
3	BONNET, ADAPTER	-	1
4	HEX, CAP SCREWS OR STUDS	-	SEE CHARTS
5	NUTS	-	SEE CHARTS
6	COMPRESSOR, F/ ELASTOMER DIAPHRAGM	C.I. A-126, CL. B	1
7	PIN, SPIROL	STN. STL. TYPE 302	1
8	FITTING, LUBE	-	AR
9	SPINDLE, VALVE	STN. STL. A-582, TYPE 303	1
* 10	O-RING #238	BUNA-N	1
11	NUT, ADAPTER BUSHING	M.I. A-47, GR. 32510	AR
* 12	O-RING #214	BUNA-N	AR
13	COVER, LOWER	ALUMINUM	1
* 14	DIAPHRAGM, AIR MOTOR	BUNA-N	1
15	COVER, UPPER	ALUMINUM	1
16	PLATE, ACTUATOR	D.I. A-536	2
17	NUT, HEAVY HEX.	CAR. STL.	1
18	SCREW, HEX HD. CAP	CAR. STL.	24
19	NUT, HEX	CAR. STL.	24
20	SPINDLE, VALVE YOKE	STN. STL.	1
21	YOKE	D.I. A-395, GR. 60-40-18	1
22	COUPLING, HALF	STN. STL. A-351, GR. CF8	2
23	SCREW, HEX HD. CAP	CAR. STL.	2
24	NUT, HEX	CAR. STL.	2
25	SCALE, INDICATING	STN. STL.	1
26	BUSHING, ADAPTER	D.I. A-395, GR. 60-40-18	AR
27	SPINDLE, ACTUATOR	STN. STL. A-564	1
* 28	DIAPHRAGM, PTFE	R2	1
* 29	CUSHION, BACKING	ELASTOMER	1
30	NUT, TUBE	BRASS B-16, C36000 H02	1
31	COMPRESSOR, F/ PLASTIC DIAPHRAGM	C.I. A-126, CL. B	1
32	PLUG, PIPE	CAR. STL. A-181, GR. 1	2
33	PLATE, IDENTIFICATION	STN. STL. A-240, TYPE 304	1
34	SCREW, DRIVE TYPE U	CAR. STL. SAE GR. 2	4
35	PLUG, VENT	STN. STL. TYPE 416	1
36	SCREW, MACHINE FILLISTER HD.	STN. STL. 18-8	1
37	MAGNET, CRUCIBLE U-181	-	1
38	RING, RETAINING	STEEL	1
* 39	O-RING #115	BUNA-N	1
40	SPACER, INDICATOR HOUSING	ALUMINUM B-211	1
* 41	O-RING #110	BUNA-N	2
42	HOUSING, INDICATOR	ALUMINUM B-26	1
43	ROD, INDICATOR	ALUMINUM B-211	1
44	TUBE, INDICATOR	PLASTIC	1
45	SCREW, DRIVE	CAR. STL.	2
46	PLATE, INDICATOR	CAR. STL.	1
Δ 47	WASHER, IMPACT	STEEL, AISI 4140	2
▲ 48	KEY, TUBE NUT	BRASS, B-36 C26000	1
49	EXTENSION, STUD	STN. STL. A-582, TYPE 303	1

* RECOMMENDED SPARE PARTS

NOTE:

- Δ 1. USED ONLY WITH #250 AIR MOTOR.
- ▲ 2. ITEM (#48) USED ONLY WITH VALVES 6" AND LARGER.
- 3. ITEM (#49) USED ONLY WITH A 10" VALVE.

UNLESS OTHERWISE SPECIFIED, DIMENSIONS NOT SHOWN IN BRACKETS [] ARE IN INCHES. DIMENSIONS SHOWN IN BRACKETS [] ARE IN MILLIMETERS.

ENGRD VALVES ORDER: -	ITEM: -	THIRD ANGLE PROJECTION	DATE	BY	VALVE ASSEMBLY WEIR 02.50 THRU 12.00 #101 THRU #250 DBL ACT WITH FLANGED ENDS RUBBER LINED
FIGURE NO.: -			DWN 01/08/97	JRD	 Engineered Valves www.engvalves.com 000000-000 SHEET 2 OF 2 ISSUED BY: - CERT BY: -
CUSTOMER: -			CHKD 01/24/97	JLW	
CUSTOMER P.O.: -		ALL DIMENSIONS SHOWN ON THIS DRAWING ARE FOR REFERENCE ONLY	APVD 01/31/97	RRK	