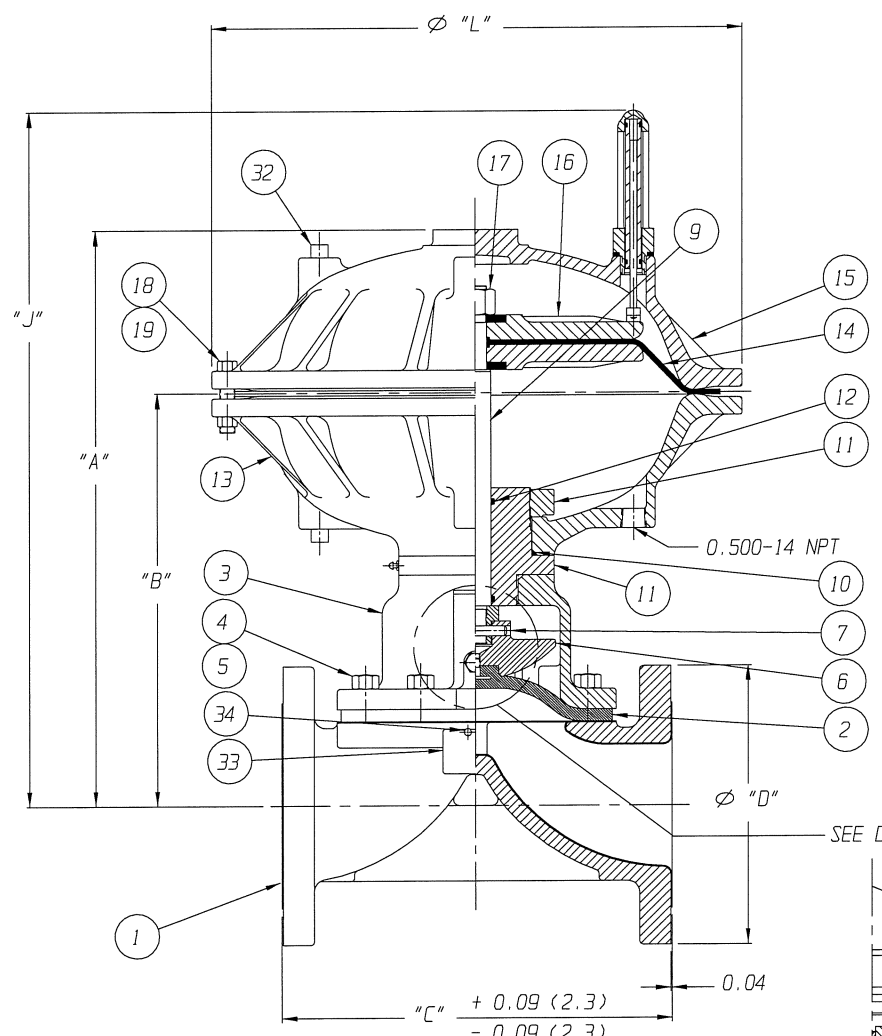
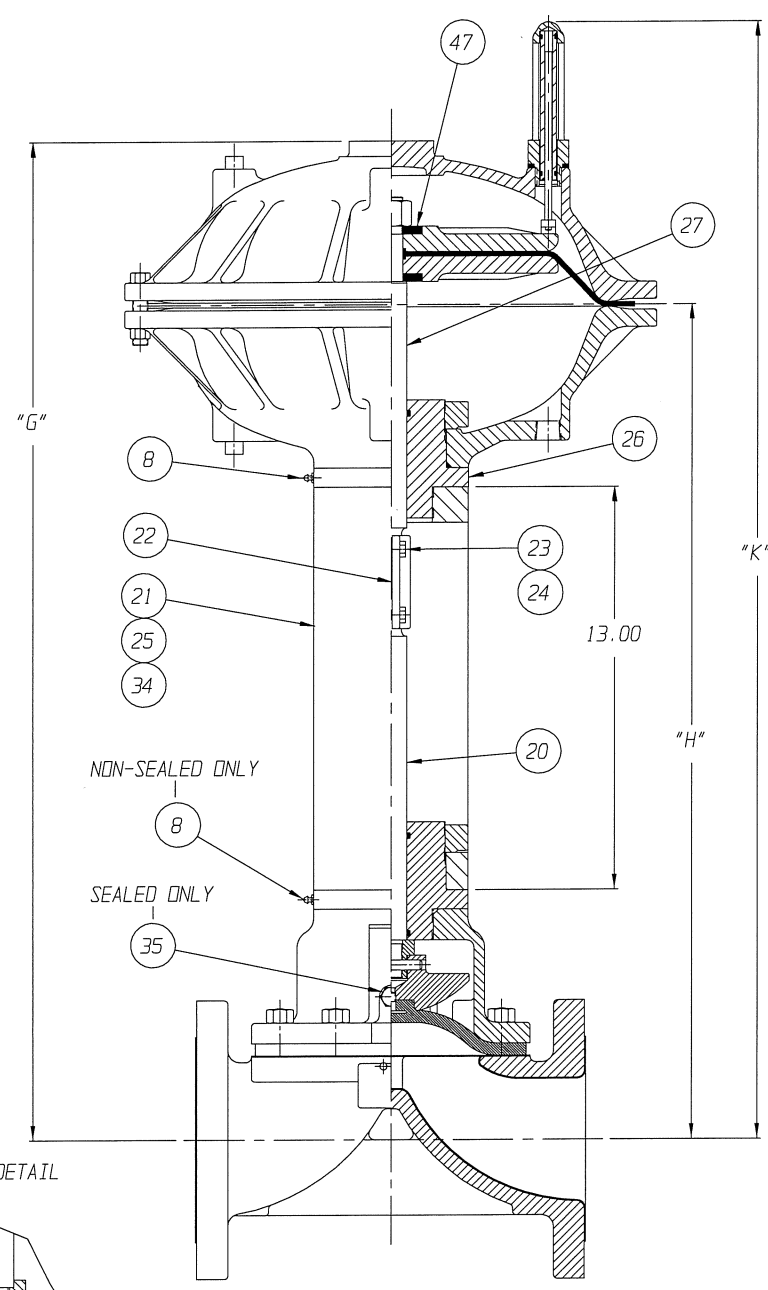


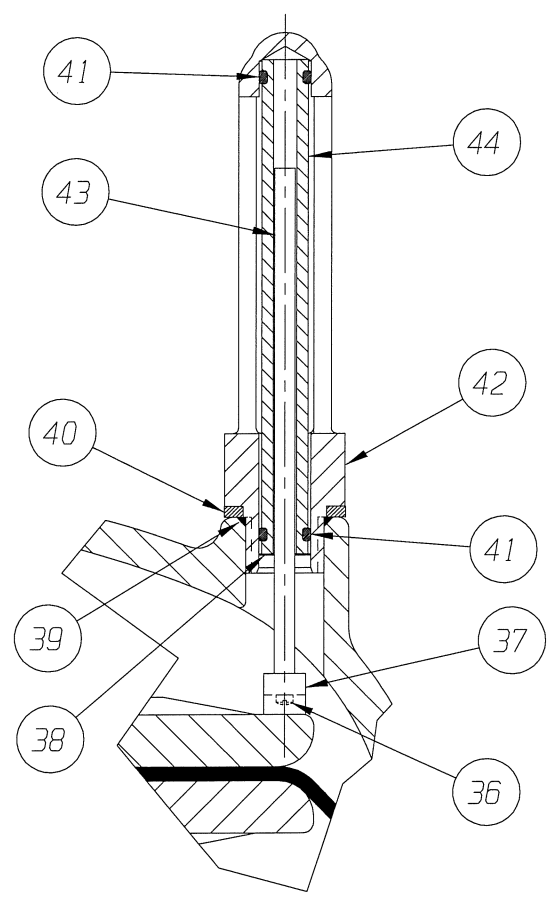
POSITION INDICATOR IS SHOWN 90° FROM TRUE POSITION



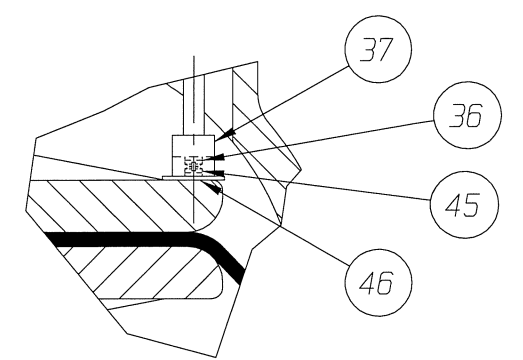
CLOSE COUPLED



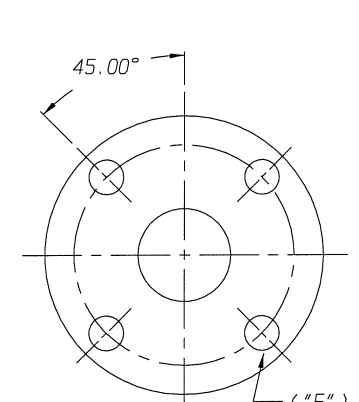
YOKE MOUNTED



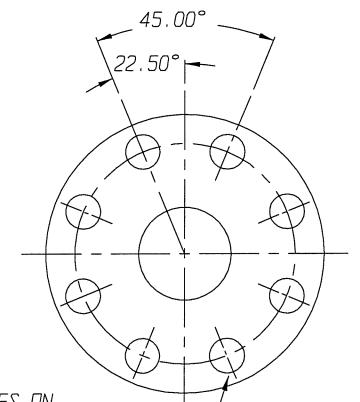
DETAIL: POSITION INDICATOR (OPTIONAL)



#250



02.50 & 03.00 FLANGE



04.00 - 08.00 FLANGE

ECN# 146
 ITT ENGRD VLVS ORDER: -
 CUSTOMER: -
 CUSTOMER P.O.: -
 ISSUED BY: _____ CERTIFIED BY: _____

DATE	BY	VALVE ASSEMBLY
DWN 01/08/97	JRD	WEIR 02.50 THRU 08.00
CHKD 01/24/97	JLW	#101 THRU #250 DOUBLE ACT.
APVD 01/31/97	RRK	WITH FLANGED ENDS
		GLASS LINED
		-

ITT Engineered Valves
 ITT Fluid Technology Corporation
 Lancaster, Pa

CS	D	004401	REV
		SHEET 1 OF 2	-

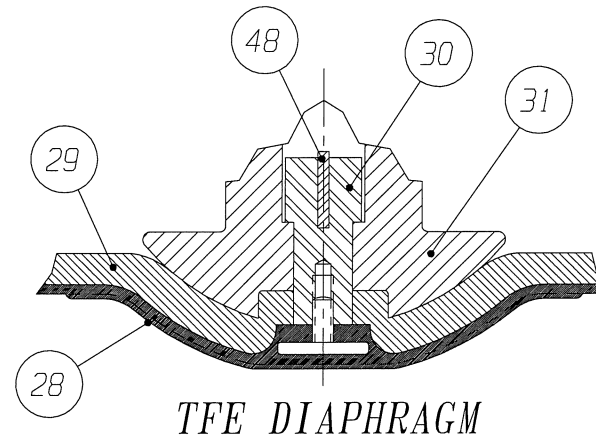
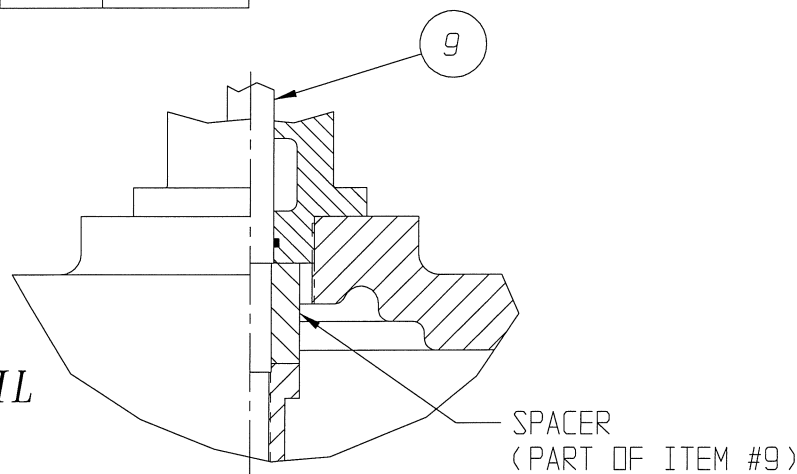
# 101 AIR MOTOR												
VALVE SIZE	'A'	'B'	'C'	'D' DIA	'E' DIA	'F' DIA	'G'	'H'	'J'	'K'	'L'	QTY. BONNET CAP SCREWS STUDS/NUTS
02.50	16.44 (417.6)	11.16 (283.5)	8.62 (218.9)	7.00 (177.8)	0.75 (19.0)	5.50 (139.7)	30.06 (763.5)	24.78 (629.4)	20.27 (514.9)	33.89 (860.8)	17.12 (434.8)	4
03.00	17.06 (433.3)	11.77 (299.0)	10.12 (257.0)	7.50 (190.5)	0.75 (19.0)	6.00 (152.4)	30.68 (779.3)	25.39 (644.9)	20.89 (530.6)	34.51 (876.6)		4
04.00	18.42 (467.9)	13.13 (333.5)	12.62 (320.5)	9.00 (228.6)	0.75 (19.0)	7.50 (190.5)	32.04 (813.8)	26.75 (679.5)	22.25 (565.2)	35.87 (911.1)		8
06.00	21.16 (537.5)	15.86 (402.8)	16.12 (409.4)	11.00 (279.4)	0.88 (22.3)	9.50 (241.3)	34.78 (883.4)	29.48 (748.8)	24.98 (634.5)	38.60 (980.4)		10
08.00	25.27 (641.9)	19.98 (507.5)	20.62 (523.7)	13.50 (342.9)	0.88 (22.4)	11.75 (298.4)	38.89 (987.8)	33.60 (853.4)	29.10 (739.1)	42.72 (1085.1)		14

# 130 AIR MOTOR												
VALVE SIZE	'A'	'B'	'C'	'D' DIA	'E' DIA	'F' DIA	'G'	'H'	'J'	'K'	'L'	QTY. BONNET CAP SCREWS STUDS/NUTS
02.50	16.56 (420.6)	10.98 (278.9)	8.62 (218.9)	7.00 (177.8)	0.75 (19.0)	5.50 (139.7)	30.18 (766.6)	24.60 (624.8)	20.23 (513.8)	33.85 (859.8)	19.00 (482.6)	4
03.00	17.18 (436.4)	11.60 (294.6)	10.12 (257.0)	7.50 (190.5)	0.75 (19.0)	6.00 (152.4)	30.80 (782.3)	25.22 (640.6)	20.85 (529.6)	34.47 (875.5)		4
04.00	18.54 (470.9)	12.96 (329.2)	12.62 (320.5)	9.00 (228.6)	0.75 (19.0)	7.50 (190.5)	32.16 (816.9)	26.58 (675.1)	22.21 (564.1)	35.83 (910.1)		8
06.00	21.27 (540.3)	15.69 (398.5)	16.12 (409.4)	11.00 (279.4)	0.88 (22.3)	9.50 (241.3)	34.89 (886.2)	29.31 (744.5)	24.94 (633.5)	38.56 (979.4)		10
08.00	25.39 (644.9)	19.81 (503.2)	20.62 (523.7)	13.50 (342.9)	0.88 (22.4)	11.75 (298.4)	39.01 (990.9)	33.43 (849.1)	29.06 (738.1)	42.68 (1084.1)		14

# 250 AIR MOTOR												
VALVE SIZE	'A'	'B'	'C'	'D' DIA	'E' DIA	'F' DIA	'G'	'H'	'J'	'K'	'L'	QTY. BONNET CAP SCREWS STUDS/NUTS
04.00	22.54 (572.5)	14.96 (380.0)	12.62 (320.5)	9.00 (228.6)	0.75 (19.0)	7.50 (190.5)	36.16 (918.5)	28.58 (725.9)	26.77 (680.0)	40.39 (1025.9)	23.88 (606.5)	8
06.00	25.27 (641.9)	17.69 (449.3)	16.12 (409.4)	11.00 (279.4)	0.88 (22.3)	9.50 (241.3)	38.89 (987.8)	31.31 (795.3)	29.50 (749.3)	43.12 (1095.2)		10
08.00	29.39 (746.5)	21.81 (554.0)	20.62 (523.7)	13.50 (342.9)	0.88 (22.4)	11.75 (298.4)	43.01 (1092.5)	35.43 (899.9)	33.62 (853.9)	47.24 (1199.9)		14

DIMENSIONS SHOWN IN () PARENTHESES ARE MILLIMETERS.

BONNET SPACER DETAIL
WEIR 08.00



LIST OF PARTS			
ITEM	DESCRIPTION	MATERIAL	QTY.
1	BODY, FLANGED GLASS LINED	-	1
* 2	DIAPHRAGM, ELASTOMER	-	1
3	BONNET, ADAPTER	-	1
4	HEX, CAP SCREWS OR STUDS	-	SEE CHARTS
5	NUTS	-	SEE CHARTS
6	COMPRESSOR, F/ ELASTOMER DIAPHRAGM	C.I. A-126, CL. B	1
7	PIN, SPIROL	STN. STL. TYPE 302	1
8	FITTING, LUBE	-	AR
9	SPINDLE, VALVE	STN. STL. A-582, TYPE 303	1
* 10	O-RING #238	BUNA-N	1
11	NUT, ADAPTER BUSHING	M.I. A-47, GR. 32510	AR
* 12	O-RING #214	BUNA-N	AR
13	COVER, LOWER	ALUMINUM	1
* 14	DIAPHRAGM, AIR MOTOR	BUNA-N	1
15	COVER, UPPER	ALUMINUM	1
16	PLATE, ACTUATOR	D.I. A-536	2
17	NUT, HEAVY HEX.	CAR. STL.	1
18	SCREW, HEX HD. CAP	CAR. STL.	24
19	NUT, HEX	CAR. STL.	24
20	SPINDLE, VALVE YOKE	STN. STL.	1
21	YOKE	D.I. A-395, GR. 60-40-18	1
22	COUPLING, HALF	STN. STL. A-351, GR. CF8	2
23	SCREW, HEX HD. CAP	CAR. STL.	2
24	NUT, HEX	CAR. STL.	2
25	SCALE, INDICATING	STN. STL.	1
26	BUSHING, ADAPTER	D.I. A-395, GR. 60-40-18	AR
27	SPINDLE, ACTUATOR	STN. STL. A-564	1
* 28	DIAPHRAGM, PTFE	R2	1
* 29	CUSHION, BACKING	ELASTOMER	1
30	NUT, TUBE	BRASS B-16, C36000 H02	1
31	COMPRESSOR, F/ PLASTIC DIAPHRAGM	C.I. A-126, CL. B	1
32	PLUG, PIPE	CAR. STL. A-181, GR. 1	2
33	PLATE, IDENTIFICATION	STN. STL. A-240, TYPE 304	1
34	SCREW, DRIVE TYPE U	CAR. STL. SAE GR. 2	4
35	PLUG, VENT	STN. STL. TYPE 416	1
36	SCREW, MACHINE FILLISTER HD.	STN. STL. 18-8	1
37	MAGNET, CRUCIBLE U-181	-	1
38	RING, RETAINING	STEEL	1
* 39	O-RING #115	BUNA-N	1
* 40	SPACER, INDICATOR HOUSING	ALUMINUM B-211	1
* 41	O-RING #110	BUNA-N	2
42	HOUSING, INDICATOR	ALUMINUM B-26	1
43	ROD, INDICATOR	ALUMINUM B-211	1
44	TUBE, INDICATOR	PLASTIC	1
45	SCREW, DRIVE	CAR. STL.	2
46	PLATE, INDICATOR	CAR. STL.	1
△ 47	WASHER, IMPACT	STEEL, AISI 4140	2
▲ 48	KEY, TUBE NUT	BRASS, B-36 C26000	1

* RECOMMENDED SPARE PARTS

NOTE:

- △ 1. USED ONLY WITH #250 AIR MOTOR.
- ▲ 2. ITEM (#48) USED ONLY WITH VALVES 6" AND LARGER.

ITEM _____ SHEET _____ OF _____

ECN# 146

ITT ENGRD VLVS ORDER: - _____
 CUSTOMER: - _____
 CUSTOMER P.O.: - _____
 ISSUED BY: _____ CERTIFIED BY: _____

DATE	BY
DWN 01/08/97	JRD
CHKD 01/24/97	JLW
APVD 01/31/97	RRK

VALVE ASSEMBLY
WEIR 02.50 THRU 08.00
#101 THRU #250 DOUBLE ACT.
WITH FLANGED ENDS
GLASS LINED

ITT Engineered Valves
ITT Fluid Technology Corporation
Lancaster, Pa

CS	D	004401	REV
		SHEET 2 OF 2	-