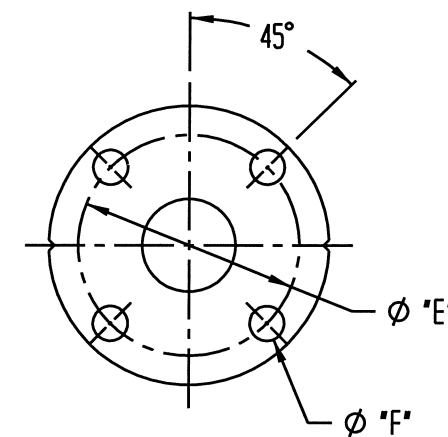
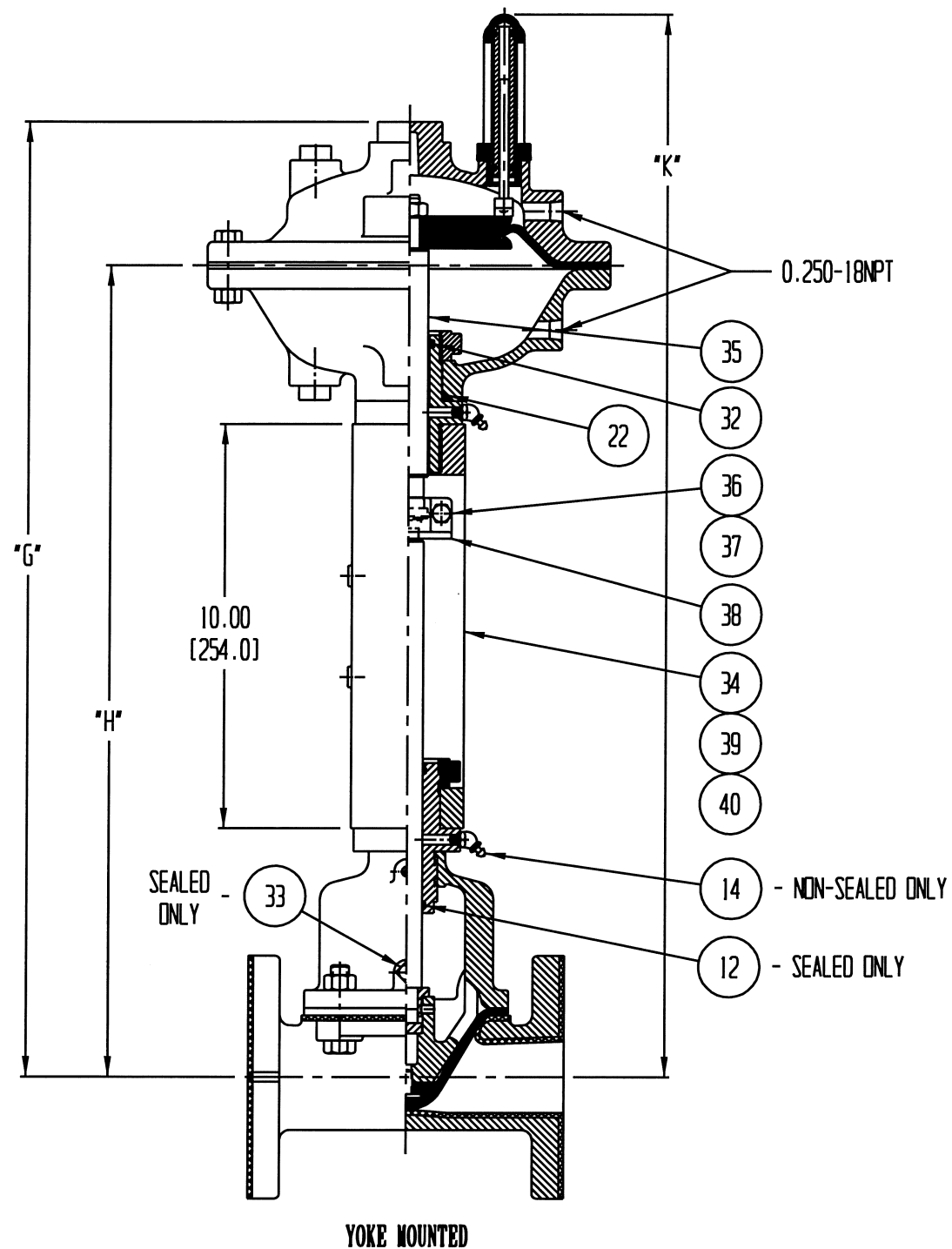
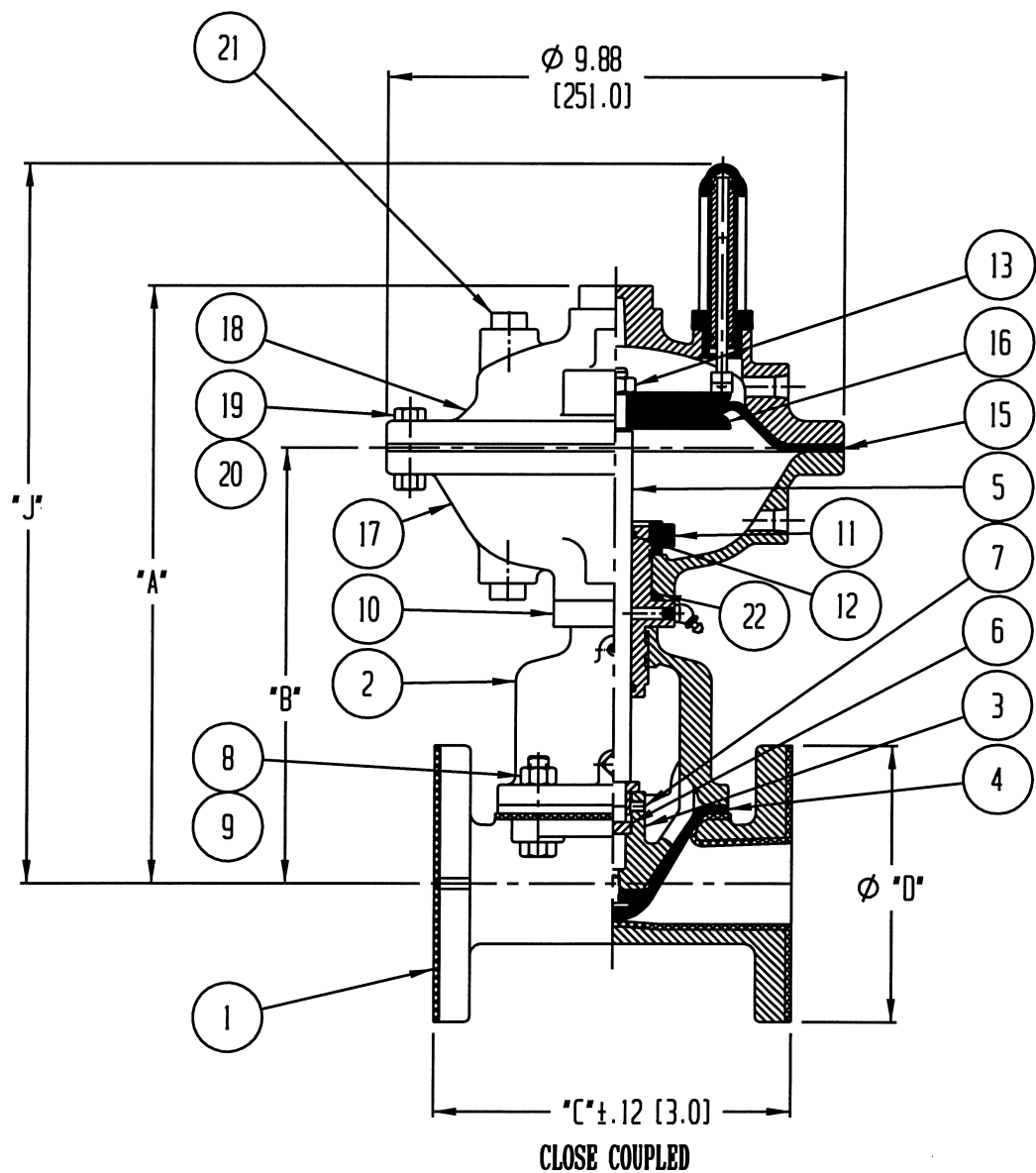

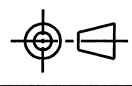


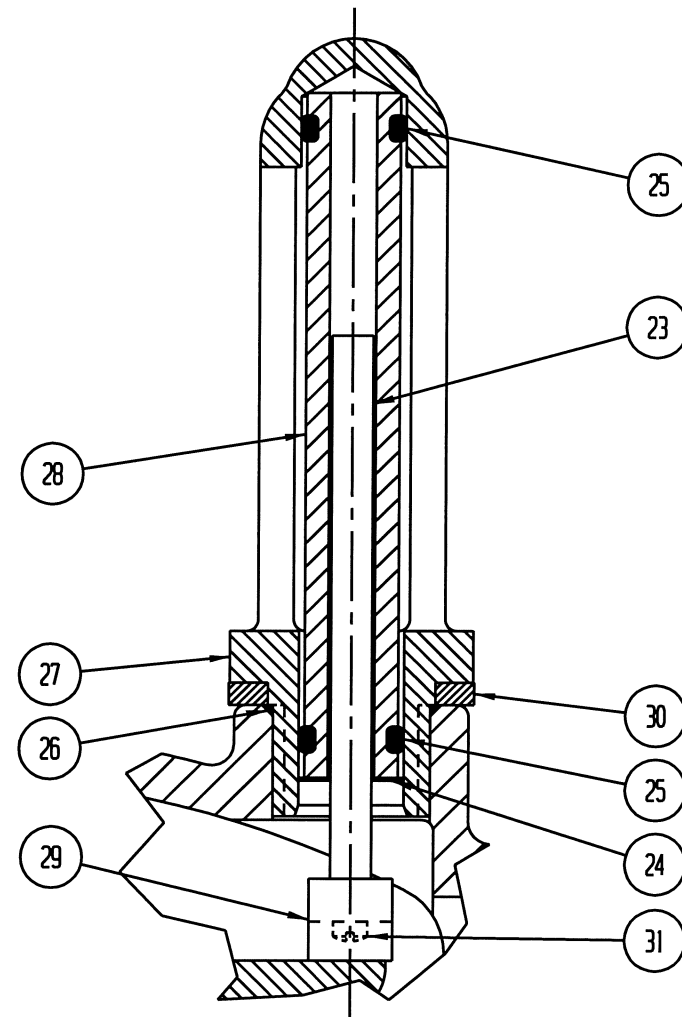
POSITION INDICATOR IS SHOWN 180° FROM TRUE POSITION



UNLESS OTHERWISE SPECIFIED, DIMENSIONS NOT SHOWN IN BRACKETS [ ] ARE IN INCHES. DIMENSIONS SHOWN IN BRACKETS [ ] ARE IN MILLIMETERS.

ENGRD VALVES ORDER: -	ITEM: -	THIRD ANGLE PROJECTION	DATE	BY	VALVE ASSEMBLY	 <b>ITT</b> <small>Engineered Valves www.engvalves.com</small>						
FIGURE NO.:			DWN 07/31/00	JMP	STWAY 01.00 - 03.00							
CUSTOMER:			CHKD 08/01/00	STO	#25 DBL AM	<table border="1"> <tr> <td>000000-000</td> <td>SHEET</td> <td>REV</td> </tr> <tr> <td></td> <td>1 OF 1</td> <td>-</td> </tr> </table>	000000-000	SHEET	REV		1 OF 1	-
000000-000	SHEET	REV										
	1 OF 1	-										
CUSTOMER P.D.:		ALL DIMENSIONS SHOWN ON THIS DRAWING ARE FOR REFERENCE ONLY	APVD 08/01/00	STO	RUBBER LINED	ISSUED BY: -						
					MASTER DWG: 006220-1/2/-	CERT BY: -						
					ECN# 5832							

VALVE SIZE	"A"	"B"	"C"	"D" DIA	"E" DIA	"F" DIA	"G"	"H"	"J"	"K"	BONNET QTY CAP SCREWS STUDS/NUTS	O-RING
01.00	11.27 [286.3]	7.62 [193.]	5.75 [146.1]	4.25 [108.0]	3.12 [79.2]	0.63 [16.0]	21.83 [554.5]	18.18 [461.8]	13.81 [350.8]	24.37 [619.0]	4	#116
01.50	12.17 [309.1]	8.52 [216.4]	6.75 [171.5]	5.00 [127.0]	3.88 [98.6]	0.63 [16.0]	22.73 [577.3]	19.08 [484.6]	14.71 [373.6]	25.27 [641.9]	4	
02.00	13.21 [335.5]	9.56 [242.8]	7.75 [196.9]	6.00 [152.4]	4.75 [120.7]	0.75 [19.1]	23.77 [603.8]	20.12 [511.0]	15.75 [400.1]	26.31 [668.3]	4	
02.50	14.38 [365.3]	10.73 [272.5]	8.75 [222.3]	7.00 [177.8]	5.50 [139.7]	0.75 [19.1]	24.94 [633.5]	21.29 [540.8]	16.92 [429.8]	27.48 [698.0]	4	#214
03.00	14.20 [360.7]	10.55 [268.0]	10.25 [260.4]	7.50 [190.5]	6.00 [152.4]	0.75 [19.1]	24.76 [628.9]	21.11 [536.2]	16.74 [425.2]	27.30 [693.4]	6	


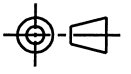


**DETAIL  
POSITION INDICATOR  
(OPTIONAL)**

LIST OF PARTS			
ITEM	DESCRIPTION	MATERIAL	QTY.
1	BODY, RUBBER LINED	-	1
2	BONNET	-	1
3	COMPRESSOR	C.I.	1
* 4	DIAPHRAGM	-	1
5	SPINDLE, VALVE	STN. STL.	1
6	INSERT	C. STL.	1
7	PIN, SPIROL	STN. STL.	1
8	CAPSCREW, CLIPHEX	-	SEE CHART
9	NUT, HEX	-	SEE CHART
10	BUSHING, ADAPTER	C. STL.	AR
11	NUT, ADAPTER BUSHING	D.I.	AR
* 12	O-RING (SEE CHART)	BLUNA-N (FDA)	AR
13	NUT, HEX JAM	C. STL.	1
14	LUBE, FITTING	-	AR
* 15	DIAPHRAGM, AIR MOTOR	BLUNA-N	1
16	PLATE, ACTUATOR	C.I.	2
17	COVER, LOWER	ALUMINUM	1
18	COVER, UPPER	ALUMINUM	1
19	NUT, HEX	C. STL.	9
20	CAPSCREW, HEX	C. STL.	9
21	PLUG, PIPE SQ HD	C. STL.	2
22	O-RING #326	BLUNA-N (FDA)	1
23	ROD, INDICATOR	ALUMINUM	1
24	RING, RETAINING	STEEL	1
* 25	O-RING #110	BLUNA-N (FDA)	2
* 26	O-RING #115	BLUNA-N (FDA)	1
27	HOUSING, INDICATOR	ALUMINUM	1
28	TUBE, INDICATOR	PLASTIC	1
29	MAGNET, CRUCIBLE U-181	-	1
30	SPACER, INDICATOR HOUSING	ALUMINUM	1
31	SCREW, MACHINE FILLISTER HD	STN. STL.	1
* 32	O-RING #214	BLUNA-N (FDA)	1
33	PLUG, VENT	STN. STL.	1
34	YOKE	D.I.	1
35	SPINDLE, ACTUATOR	STN. STL.	1
36	SCREW, CAP HEX	C. STL.	2
37	NUT, HEX	C. STL.	2
38	COUPLING, HALF	STN. STL.	1
39	SCALE, INDICATOR	STN. STL.	1
40	SCREW, DRIVE	C. STL.	2

\*RECOMMENDED SPARE PARTS

UNLESS OTHERWISE SPECIFIED, DIMENSIONS NOT SHOWN IN BRACKETS [ ] ARE IN INCHES. DIMENSIONS SHOWN IN BRACKETS [ ] ARE IN MILLIMETERS.

ENGRD VALVES ORDER: -	ITEM: -	THIRD ANGLE PROJECTION	DATE	BY	VALVE ASSEMBLY	 <b>ITT</b> <small>Engineered Valves www.engvalves.com</small>
FIGURE NO.:			07/31/00	JMP	STWAY 01.00 - 03.00	
CUSTOMER:			08/01/00	STO	#25 DBL AM FLANGED ENDS RUBBER LINED	
CUSTOMER P.O.:			08/01/00	STO	-	
ALL DIMENSIONS SHOWN ON THIS DRAWING ARE FOR REFERENCE ONLY			APVD	08/01/00	STO	MASTER DWG: 006220-2/2/- ECN# 5832 SHEET 2 OF 2 REV - ISSUED BY: - CERT BY: -