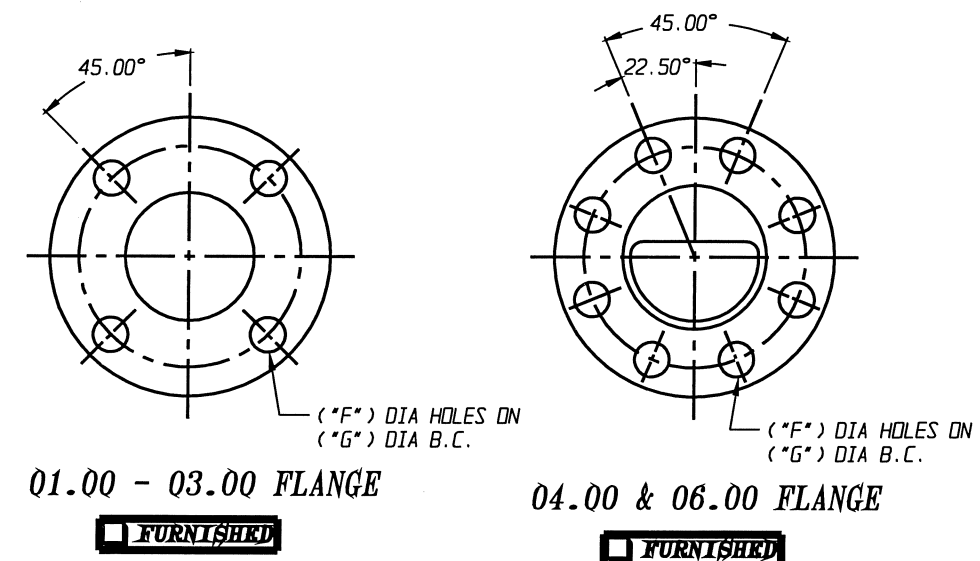
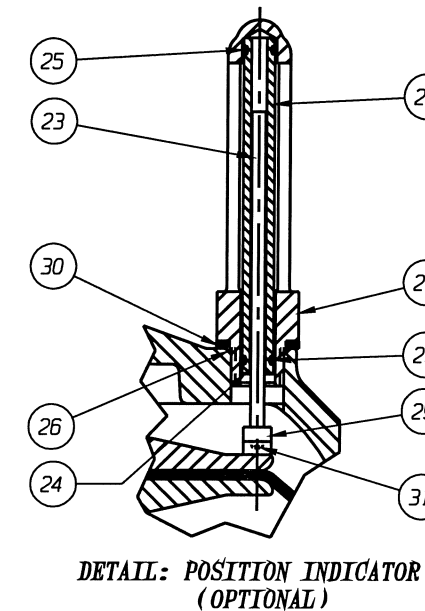
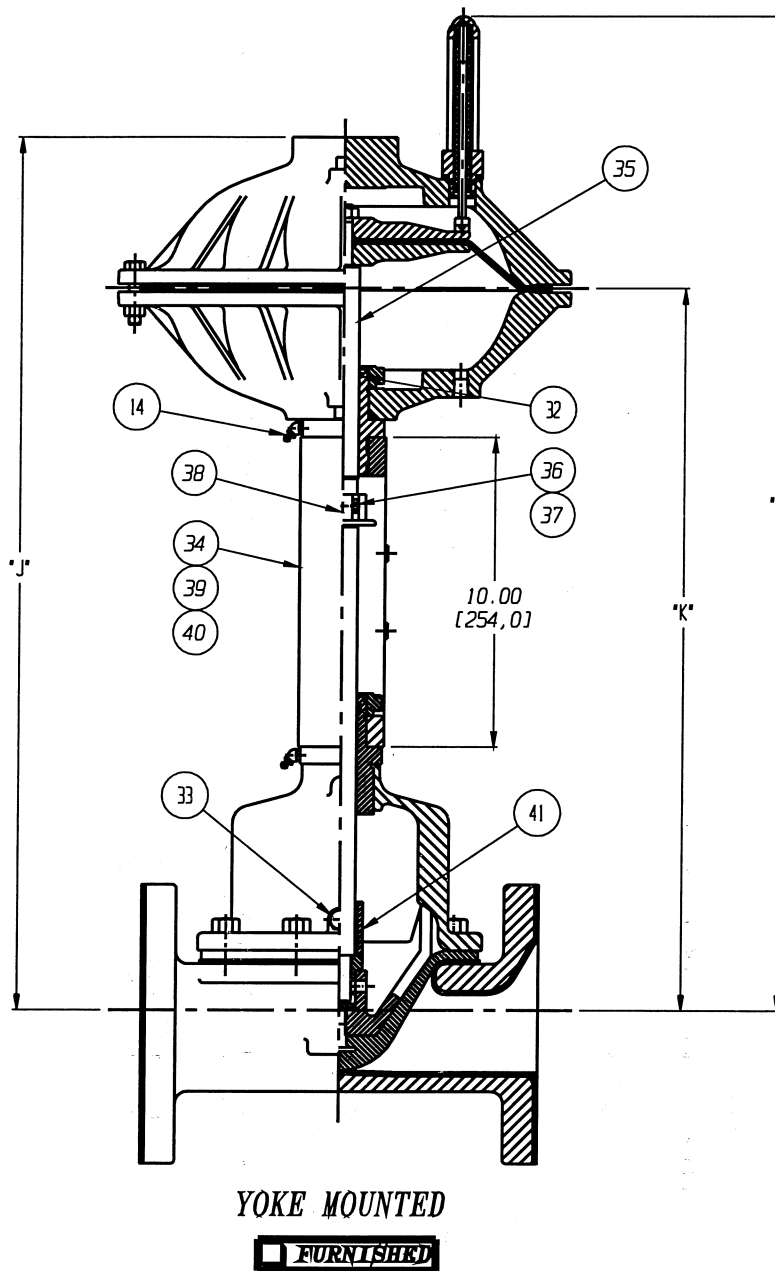
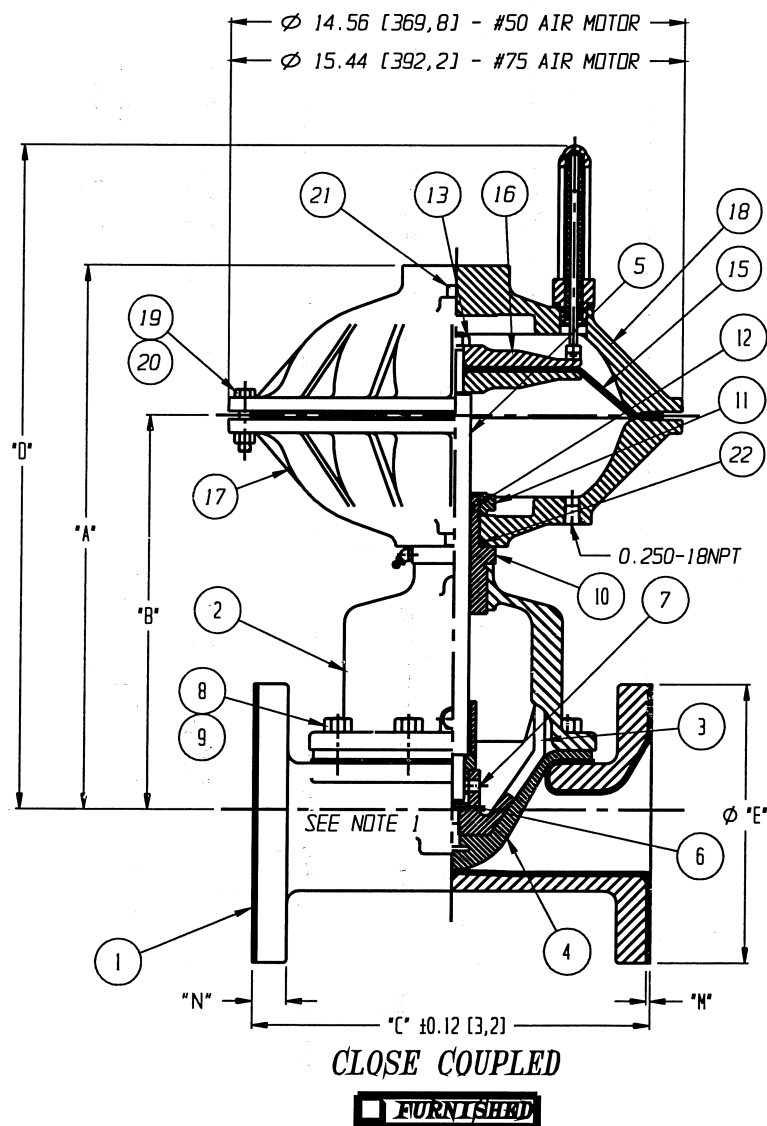


NOTE:
1. VALVE IS BI-DIRECTIONAL (NO FLOW ARROW).

POSITION INDICATOR IS SHOWN 90° FROM TRUE POSITION



ENGRD VALVES ORDER: - ITEM: -
SHEET - OF -
FIGURE NO.: -
CUSTOMER: -
CUSTOMER P.O.: -
ISSUED BY: - CERTIFIED BY: -

UNLESS OTHERWISE SPECIFIED, DIMENSIONS NOT SHOWN IN BRACKETS [] ARE IN INCHES.
DIMENSIONS SHOWN IN BRACKETS [] ARE IN MILLIMETERS.

THIRD ANGLE PROJECTION	DATE	BY	VALVE ASSEMBLY
	DWN	12/06/06	DJS
	CHKD	12/06/06	STD
	APVD	12/06/06	STD
ALL DIMENSIONS SHOWN ON THIS DRAWING ARE FOR REFERENCE ONLY.			STRAIGHTWAY 01.00 - 06.00 #50 & #75 DOUBLE ACTUATOR WITH FLANGED ENDS RUBBER LINED

ECN# 10650

ITT Engineered Valves Group
Lancaster, PA USA

CS D 006222 REV A
SHEET 1 OF 2

www.ingvalves.com

#50 AIR MOTOR														
VALVE SIZE	"A"	"B"	"C"	"D"	"E" DIA	"F" DIA	"G" DIA	"J"	"K"	"L"	"M"	"N"	BONNET QTY CAP. SCREWS STUDS/NUTS	O-RING
01.00	13.22 [335,8]	8.45 [214,6]	5.75 [146,1]	16.66 [423,2]	4.25 [108,0]	0.62 [15,7]	3.12 [79,2]	23.79 [604,3]	19.02 [483,1]	27.23 [691,6]	0.12 [3,0]	0.59 [15,0]	4	#116
01.50	14.06 [357,1]	9.29 [236,0]	6.75 [171,4]	17.50 [444,5]	5.00 [127,0]	0.62 [15,7]	3.88 [98,6]	24.63 [625,6]	19.86 [504,4]	28.07 [713,0]	0.12 [3,0]	0.71 [18,0]	4	
02.00	15.09 [383,3]	10.32 [262,1]	7.75 [196,9]	18.53 [470,7]	6.00 [152,4]	0.75 [19,1]	4.75 [120,7]	25.66 [651,8]	20.89 [530,6]	29.10 [739,1]	0.12 [3,0]	0.78 [19,8]	4	
02.50	16.27 [413,3]	11.50 [262,1]	8.75 [222,2]	19.71 [500,6]	7.00 [177,8]	0.75 [19,1]	5.50 [139,7]	26.84 [681,7]	22.07 [560,6]	30.28 [769,1]	0.12 [3,0]	0.84 [21,3]	4	#214
03.00	16.09 [408,7]	11.32 [287,5]	10.25 [260,4]	19.53 [496,1]	7.50 [190,5]	0.75 [19,1]	6.00 [152,4]	26.66 [677,2]	21.89 [556,0]	30.10 [764,5]	0.12 [3,0]	0.92 [23,4]	6	
04.00	17.57 [446,3]	12.80 [325,1]	12.75 [323,8]	21.01 [533,7]	9.00 [228,6]	0.75 [19,1]	7.50 [190,5]	28.14 [714,8]	23.37 [593,6]	31.58 [802,1]	0.12 [3,0]	1.11 [28,2]	8	

#75 AIR MOTOR														
VALVE SIZE	"A"	"B"	"C"	"D"	"E" DIA	"F" DIA	"G" DIA	"J"	"K"	"L"	"M"	"N"	BONNET QTY CAP. SCREWS STUDS/NUTS	O-RING
02.00	15.08 [383,0]	10.31 [261,9]	7.75 [196,8]	18.52 [470,4]	6.00 [152,4]	0.75 [19,1]	4.75 [120,7]	25.65 [651,5]	20.88 [530,4]	29.09 [738,9]	0.12 [3,0]	0.78 [19,8]	4	#116
02.50	16.26 [413,0]	11.49 [291,8]	8.75 [222,2]	19.70 [500,4]	7.00 [177,8]	0.75 [19,1]	5.50 [139,7]	26.83 [681,5]	22.06 [560,3]	30.27 [768,9]	0.12 [3,0]	0.84 [21,3]	4	#214
03.00	16.08 [408,4]	11.31 [287,3]	10.25 [260,4]	19.52 [495,8]	7.50 [190,5]	0.75 [19,1]	6.00 [152,4]	26.65 [679,9]	21.88 [555,8]	30.09 [764,3]	0.12 [3,0]	0.92 [23,4]	6	
04.00	17.56 [446,0]	12.79 [324,9]	12.75 [323,8]	21.00 [533,4]	9.00 [228,6]	0.75 [19,1]	7.50 [190,5]	28.13 [714,5]	23.36 [593,3]	31.57 [801,9]	0.12 [3,0]	1.11 [28,2]	8	
06.00	20.51 [521,0]	15.74 [399,8]	16.38 [416,0]	23.95 [608,3]	11.00 [279,4]	0.88 [22,4]	9.50 [241,3]	31.08 [789,4]	26.31 [668,3]	34.52 [876,8]	0.19 [4,8]	1.24 [31,5]	8	

LIST OF PARTS			
ITEM	DESCRIPTION	MATERIAL	QTY.
1	BODY, RUBBER LINED	-	1
2	BONNET, ADAPTER	-	1
3	COMPRESSOR	C. I.	1
* 4	DIAPHRAGM	-	1
5	SPINDLE, VALVE	STN. STL.	1
6	INSERT	C. STL.	1
7	PIN, SPIROL	STN. STL.	AR
8	CAPSCREW DR STUD	-	SEE CHART
9	NUT, HEX	-	SEE CHART
10	BUSHING, ADAPTER	C. STL.	AR
11	NUT, ADAPTER BUSHING	D. I.	AR
* 12	O-RING (SEE CHART)	BLUNA-N (FDA)	AR
13	NUT, HEX JAM	C. STL.	1
14	LUBE, FITTING	-	AR
* 15	DIAPHRAGM, AIR MOTOR	BLUNA-N	1
16	PLATE, ACTUATOR	C. I.	2
17	COVER, LOWER	ALUMINUM	1
18	COVER, UPPER	ALUMINUM	1
19	NUT, HEX	C. STL.	16
20	SCREW, HEX HD CAP	C. STL.	16
21	PLUG, PIPE SQ HD	C. STL.	2
22	O-RING #326	BLUNA-N (FDA)	1
23	ROD, INDICATOR	ALUMINUM	1
24	RING, RETAINING	STEEL	1
* 25	O-RING #110	BLUNA-N (FDA)	2
* 26	O-RING #115	BLUNA-N (FDA)	1
27	HOUSING, INDICATOR	ALUMINUM	1
28	TUBE, INDICATOR	PLASTIC	1
29	MAGNET, CRUCIBLE U-181	-	1
30	SPACER, INDICATOR HOUSING	ALUMINUM	1
31	SCREW, MACHINE FILLISTER HD	STN. STL.	1
* 32	O-RING #214	BLUNA-N (FDA)	1
33	PLUG, VENT	STN. STL.	1
34	YOKE	D. I.	1
35	SPINDLE, ACTUATOR	STN. STL.	1
36	SCREW, HEX HD CAP	C. STL.	2
37	NUT, HEX	C. STL.	2
38	COUPLING, HALF	STN. STL.	2
39	SCALE, INDICATOR	STN. STL.	1
40	SCREW, DRIVE	C. STL.	2
41	SPACER, STOP COLLAR	C. STL.	1

* RECOMMENDED SPARE PARTS

ENGRD VALVES ORDER: - ITEM: -
 SHEET - OF -
 FIGURE NO.: -
 CUSTOMER: -
 CUSTOMER P.O.: -
 ISSUED BY: _____ CERTIFIED BY: _____

UNLESS OTHERWISE SPECIFIED, DIMENSIONS NOT SHOWN IN BRACKETS [] ARE IN INCHES.
 DIMENSIONS SHOWN IN BRACKETS [] ARE IN MILLIMETERS.

	THIRD ANGLE PROJECTION	DATE	BY	VALVE ASSEMBLY STRAIGHTWAY 01.00 - 06.00 #50 & #75 DOUBLE ACTUATOR WITH FLANGED ENDS RUBBER LINED	 ITT Engineered Valves Group Lancaster, PA USA
		DWN 12/06/06	DJS		
		CHKD 12/06/06	STD		
ECN# 10650	ALL DIMENSIONS SHOWN ON THIS DRAWING ARE FOR REFERENCE ONLY	APVD 12/06/06	STD		CS D 006222 SHEET 2 OF 2 REV A