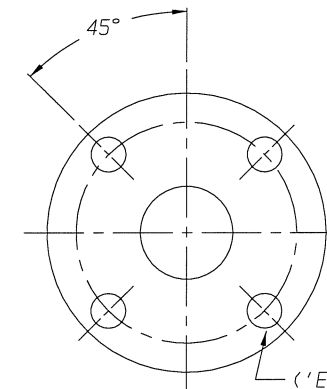


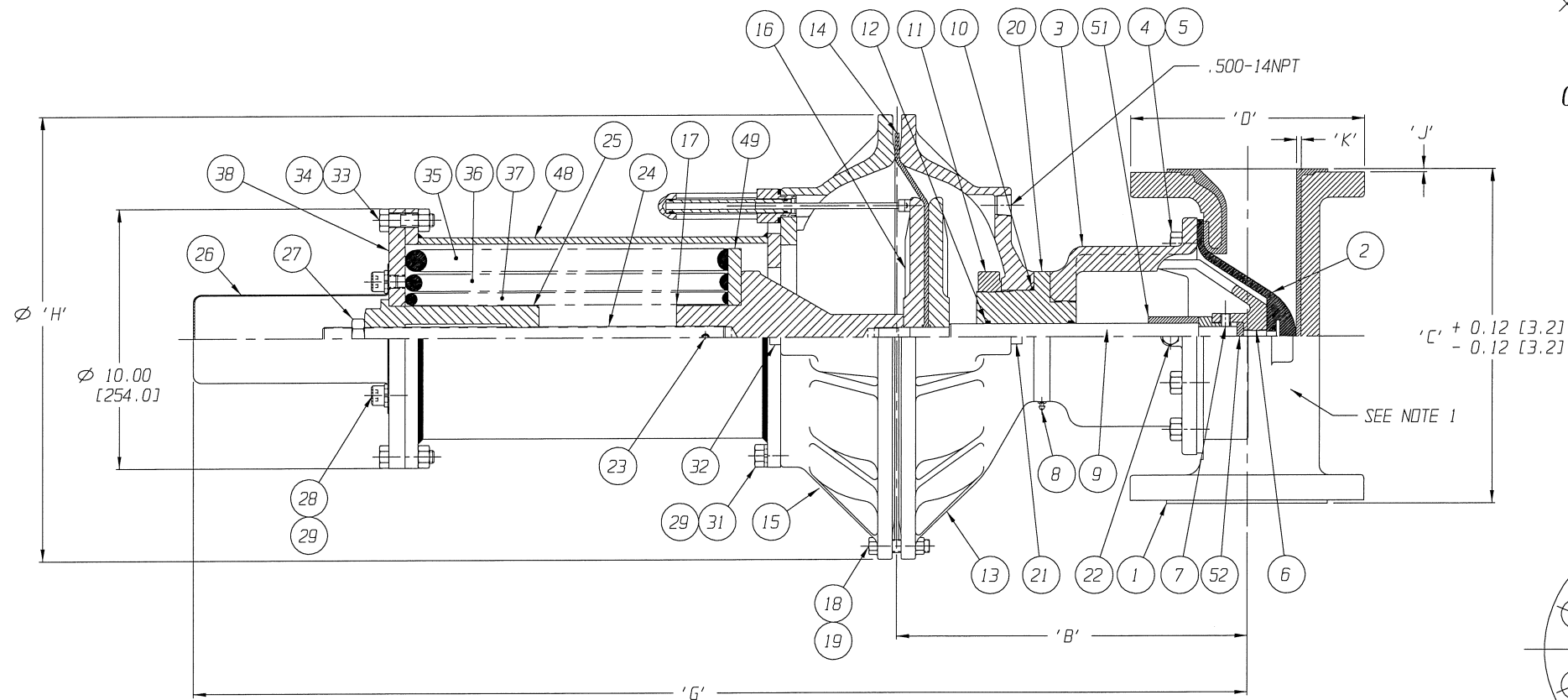
#130 SPRING CASE

FURNISHED



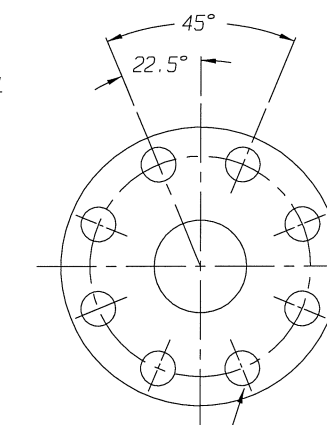
03.00 FLANGE

FURNISHED



CLOSE COUPLED W/ SPECIAL SPRING COMBINATION


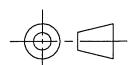
POSITION INDICATOR IS SHOWN 90° FROM TRUE POSITION



04.00 - 06.00 FLANGE

FURNISHED

UNLESS OTHERWISE SPECIFIED, DIMENSIONS NOT SHOWN IN BRACKETS [ ] ARE IN INCHES. DIMENSIONS SHOWN IN BRACKETS [ ] ARE IN MILLIMETERS.

ENGRD VALVES ORDER: -	ITEM: -	THIRD ANGLE PROJECTION	DATE	BY	VALVE ASSEMBLY STRAIGHTWAY 03.00 - 06.00 #101 THRU #130 REVERSE ACT WITH FLANGED ENDS PLASTIC LINED	 Engineered Valves www.engvalves.com
FIGURE NO.:	-		DWN 08/09/12	DJS		
CUSTOMER:	-	ALL DIMENSIONS SHOWN ON THIS DRAWING ARE FOR REFERENCE ONLY	CHKD 08/09/12	STD		
CUSTOMER P.O.:	-		APVD 08/09/12	STD		
			MASTER DWG: 006890-1/2/A	ECN# 14262	ISSUED BY: -	CERT BY: -
					000000-000	SHEET 1 OF 2
					REV -	REV -

# 101 AIR MOTOR

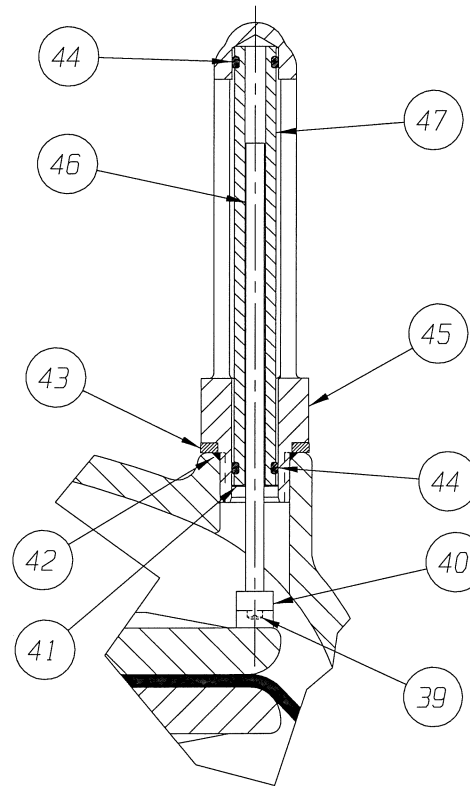
VALVE SIZE	'A'	'B'	'C'	'D' DIA	'E' DIA	'F' DIA	'G'	'H'	'J'	'K'	QTY. BONNET CAP SCREWS STUDS/NUTS
03.00	49.15 [1248.4]	12.53 [318.3]	10.25 [260.4]	7.50 [190.5]	0.75 [19.0]	6.00 [152.4]	39.50 [1003.3]	17.12 [434.8]	0.12 [3.0]	0.18 [4.6]	6
04.00	50.18 [1274.6]	13.56 [344.4]	12.88 [327.2]	9.00 [228.6]	0.75 [19.0]	7.50 [190.5]	40.52 [1029.2]		0.12 [3.0]	0.19 [4.8]	8
06.00	53.34 [1354.8]	16.72 [424.7]	16.38 [416.1]	11.00 [279.4]	0.88 [22.3]	9.50 [241.3]	43.65 [1108.7]		0.12 [3.0]	0.23 [5.8]	8

# 130 AIR MOTOR

VALVE SIZE	'A'	'B'	'C'	'D' DIA	'E' DIA	'F' DIA	'G'	'H'	'J'	'K'	QTY. BONNET CAP SCREWS STUDS/NUTS
03.00	49.15 [1248.4]	12.34 [313.4]	10.25 [260.4]	7.50 [190.5]	0.75 [19.0]	6.00 [152.4]	39.51 [1003.6]	19.00 [482.6]	0.12 [3.0]	0.18 [4.6]	6
04.00	50.18 [1274.6]	13.37 [339.6]	12.88 [327.2]	9.00 [228.6]	0.75 [19.0]	7.50 [190.5]	40.53 [1029.5]		0.12 [3.0]	0.19 [4.8]	8
06.00	53.34 [1354.8]	16.53 [419.9]	16.38 [416.1]	11.00 [279.4]	0.88 [22.3]	9.50 [241.3]	43.66 [1109.0]		0.12 [3.0]	0.23 [5.8]	8

NOTES:


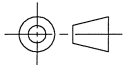
1. VALVE IS BI-DIRECTIONAL (NO FLOW ARROW).
- \* 2. RECOMMENDED SPARE PARTS.
- ‡ 3. SEALED BONNET ONLY
- 4. UNSEALED BONNET ONLY
- △ 5. SPRING #130 CANNOT BE PURCHASED SEPARATELY, AS IT IS INCLUDED IN CASE ASSY ITEM 30.



DETAIL: POSITION INDICATOR (OPTIONAL)

LIST OF PARTS			
ITEM	DESCRIPTION	MATERIAL	QTY.
1	BODY, FLANGED PLASTIC LINED	-	1
* 2	DIAPHRAGM	-	1
3	BONNET, ADAPTER	-	1
4	HEX, CAP SCREWS OR STUDS	-	SEE CHARTS
5	NUTS	-	SEE CHARTS
6	COMPRESSOR	C.I. A-126	1
7	PIN, SPIROL	STN. STL. TYPE 302	1
○ 8	FITTING, LUBE	-	1
9	SPINDLE, VALVE	STN. STL. A-564 630 CD H900	1
* 10	O-RING #238	BUNA-N	1
11	NUT, ADAPTER BUSHING	D.I.	1
* 12	O-RING #214	BUNA-N	2
13	COVER, LOWER	ALUMINUM	1
* 14	DIAPHRAGM, AIR MOTOR	BUNA-N	1
15	COVER, UPPER	ALUMINUM	1
16	PLATE, ACTUATOR	D.I. A-536	2
17	CONNECTOR, SPINDLE	D.I. A-395 GR. 60-40-18	1
18	SCREW, HEX HD. CAP	CAR. STL.	24
19	NUT, HEX	CAR. STL.	24
20	BUSHING, ADAPTER	-	1
‡ 21	PLUG, PIPE	CAR. STL. A-181, GR. 1	1
‡ 22	PLUG, VENT	STN. STL. TYPE 416	1
23	PIN, SPIROL	STN. STL. TYPE 302	1
24	EXTENSION, SPINDLE	CAR. STL. A-108	1
25	BUSHING, ADJUSTING	D.I.	1
26	SHIELD, TRAVEL STOP	CAR. STL.	1
27	NUT, HEX. JAM	CAR. STL.	1
28	SCREW, HEX. SOC. HD. CAP	CAR. STL.	2
29	WASHER, SPRING LOCK	CAR. STL.	10
30	ASSEMBLY, SPRING CASING #130	CAR. STL.	1
31	SCREW, HEX. HD. CAP	CAR. STL.	8
32	PLUG, PIPE	PLASTIC	1
33	SCREW, HEX. HD. CAP	CAR. STL.	8
34	NUT, HEX.	CAR. STL.	8
35	SPRING, #98	CAR. STL. A-689	1
36	SPRING, #96	CAR. STL. A-689	1
37	SPRING, #97	CAR. STL. A-689	1
38	COVER, SPRING CASE	CAR. STL.	1
39	SCREW, MACHINE FILLISTER HD.	STN. STL. 18-8	1
40	MAGNET, CRUCIBLE U-181	-	1
41	RING, RETAINING	STEEL	1
* 42	O-RING #115	BUNA-N	1
43	SPACER, INDICATOR HOUSING	ALUMINUM B-211	1
* 44	O-RING #110	BUNA-N	2
45	HOUSING, INDICATOR	ALUMINUM B-26	1
46	ROD, INDICATOR	ALUMINUM B-211	1
47	TUBE, INDICATOR	PLASTIC	1
48	SPRING CASE, SPECIAL SPRING COMBO	CAR. STL.	1
49	PLATE, SPRING SUPPORT	CAR. STL. A-36	1
△ 50	SPRING, #130	CAR. STL. A-689	1
51	SPACER, STOP COLLAR	CAR. STL.	1
52	INSERT	CAR. STL.	1

UNLESS OTHERWISE SPECIFIED, DIMENSIONS NOT SHOWN IN BRACKETS [ ] ARE IN INCHES. DIMENSIONS SHOWN IN BRACKETS [ ] ARE IN MILLIMETERS.

ENGRD VALVES ORDER: -	ITEM: -	THIRD ANGLE PROJECTION	DATE	BY	VALVE ASSEMBLY STRAIGHTWAY 03.00 - 06.00 #101 THRU #130 REVERSE ACT WITH FLANGED ENDS PLASTIC LINED	 Engineered Valves www.engvalves.com
FIGURE NO.: -			DWN 08/09/12	DJS		
CUSTOMER: -			CHKD 08/09/12	STD		000000-000 SHEET 2 OF 2 REV -
CUSTOMER P.O.: -		ALL DIMENSIONS SHOWN ON THIS DRAWING ARE FOR REFERENCE ONLY	APVD 08/09/12	STD	MASTER DWG: 006890-2/2/A IECN# 14262 ISSUED BY: - CERT BY: -	