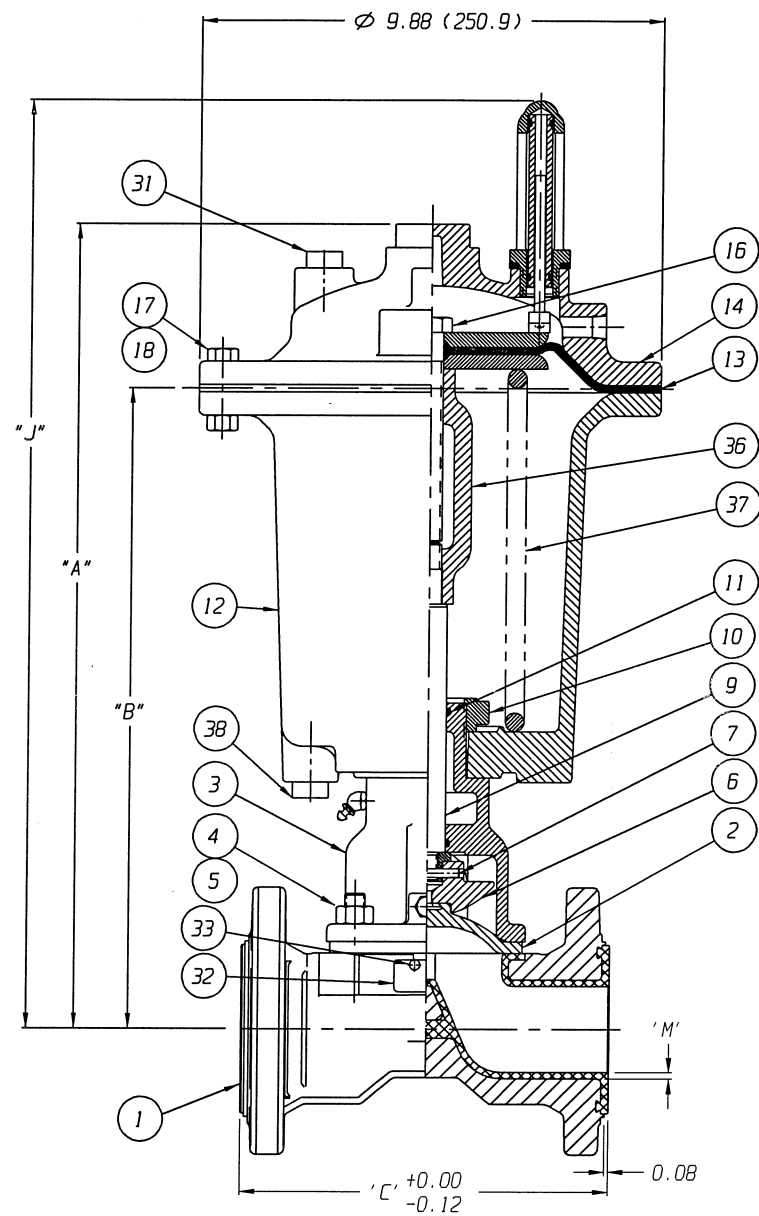
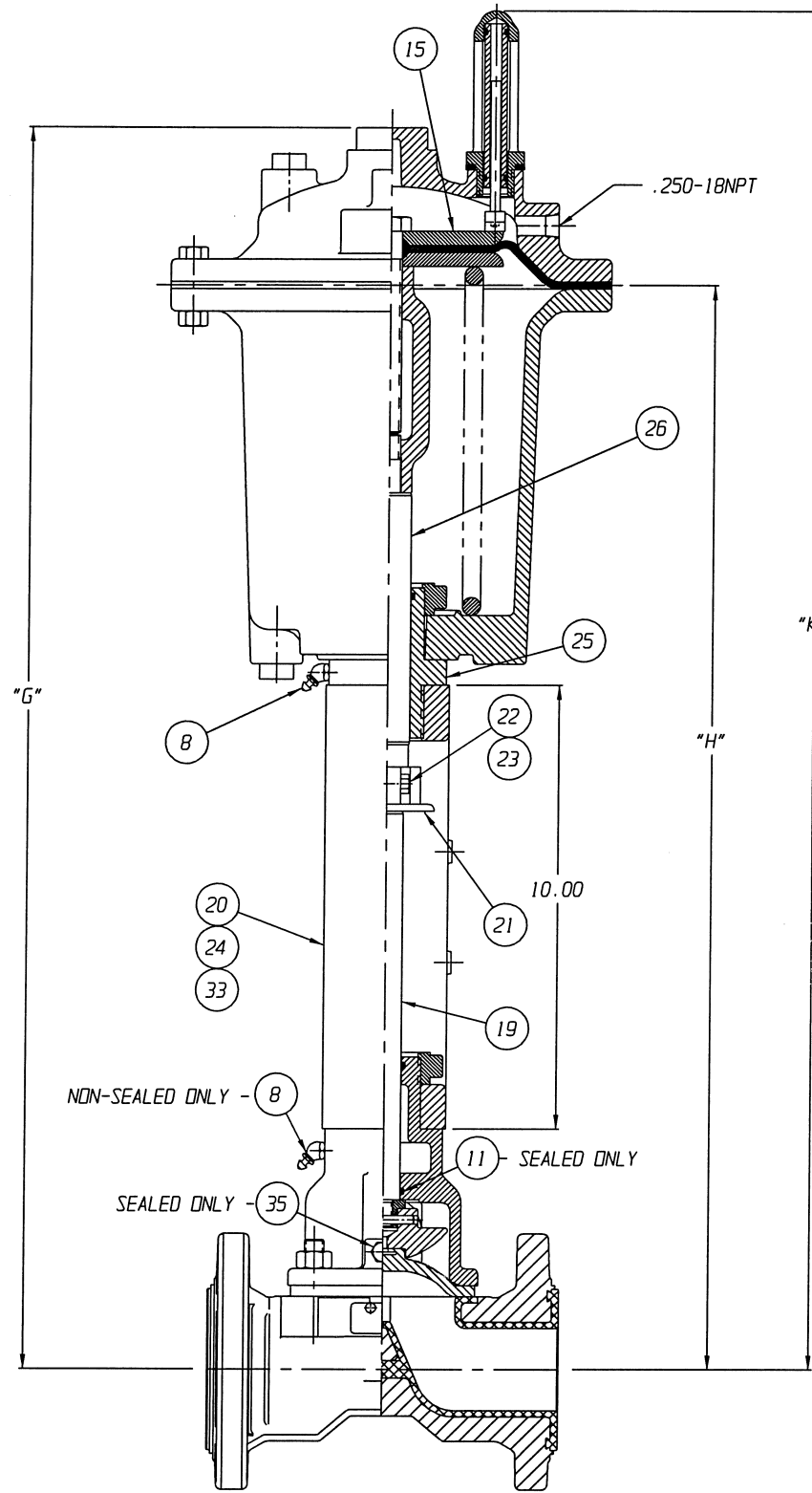


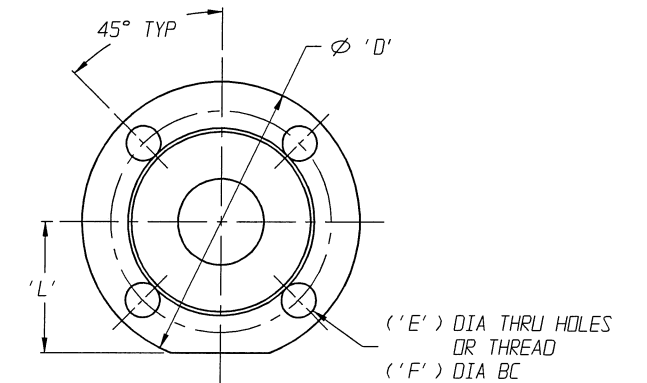
POSITION INDICATOR IS SHOWN 180° FROM TRUE POSITION



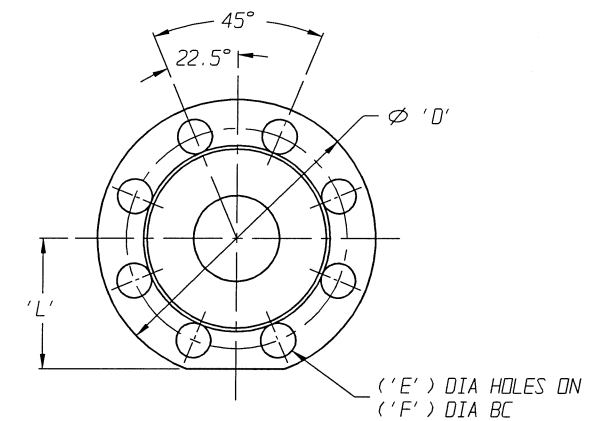
CLOSE COUPLED
 FURNISHED



YOKE MOUNTED
 FURNISHED


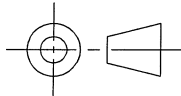


01.00 - 03.00 FLANGE



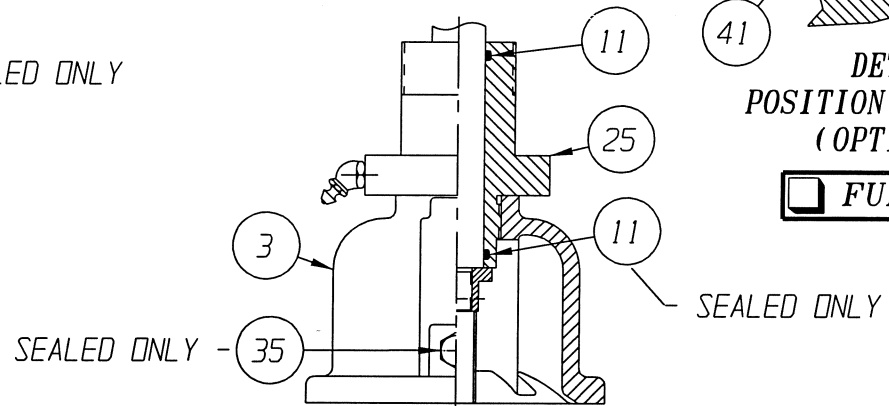
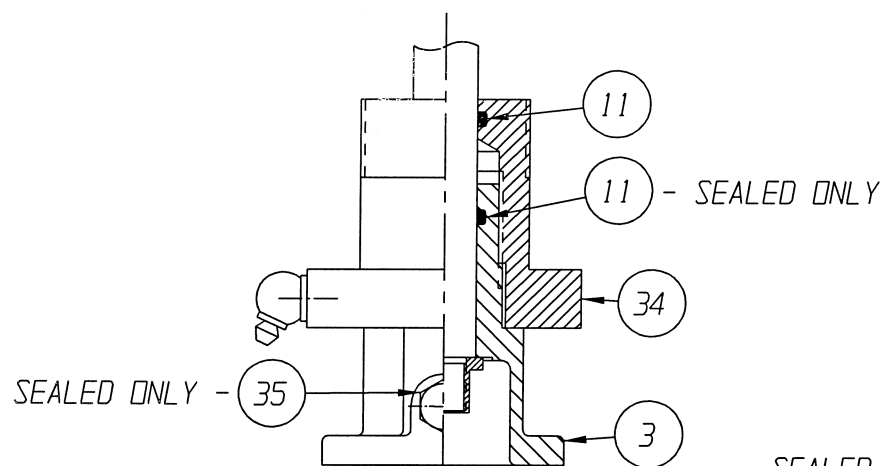
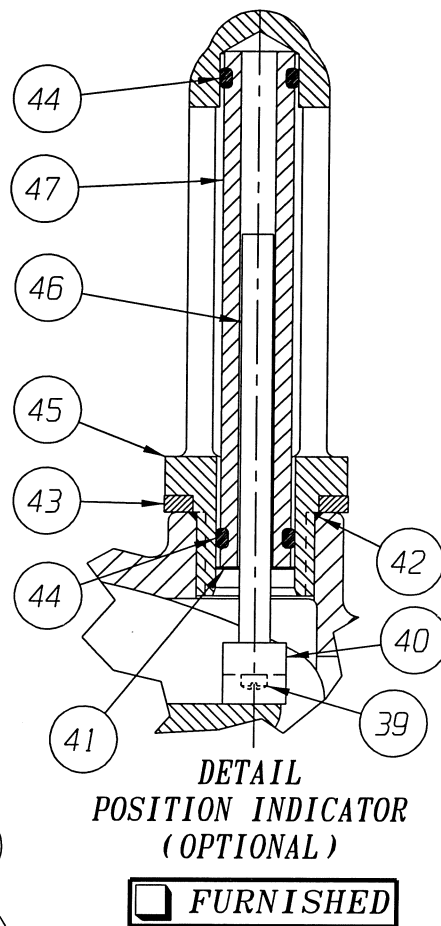
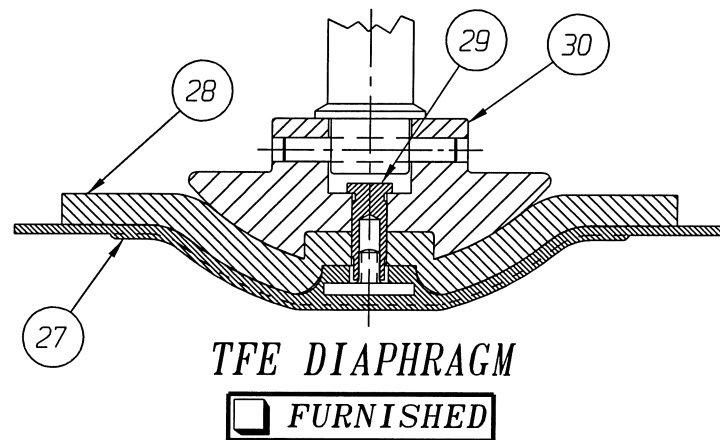
04.00 - 06.00 FLANGE

ENGRD VALVES ORDER: - _____ ITEM: - _____
 SHEET - _____ OF - _____
 FIGURE NO.: - _____
 CUSTOMER: - _____
 CUSTOMER P.O.: - _____
 ISSUED BY: _____ CERTIFIED BY: _____

THIRD ANGLE PROJECTION		DATE	BY	VALVE ASSEMBLY WEIR 01.00 THRU 04.00 #25 DIRECT ACTUATOR WITH FLANGED ENDS PFA LINED	 ITT Industries Engineered Valves Lancaster, PA USA
	DWN	12-9-03	BLM		
	CHKD	12-9-03	STD		
ECN# 8599	UNLESS OTHERWISE SPECIFIED, ALL DIMENSIONS ARE IN INCHES	APVD	12-9-03	STD	CS D 007848 SHEET 1 OF 2 www.engvalves.com

VALVE SIZE	'A'	'B'	'C'		'D' DIA	'E' DIA		'F' DIA	'G'	'H'	'J'	'K'	'L'	'M'	O-RING ITEM 11	QTY. BODY STUDS/NUTS
			STANDARD	ANSI FACE-TO-FACE		STANDARD	ANSI FACE-TO-FACE									
01.00	15.69 (398.5)	12.16 (308.9)	5.81 (147.6)	5.00 (127.0)	4.25 (107.9)	0.62 (15.7)	0.500-13UNC-2B	3.12 (79.2)	26.25 (666.8)	22.73 (577.3)	18.34 (465.8)	28.91 (734.3)	1.88 (47.8)		#114	4
01.50	16.89 (429.0)	13.36 (339.3)	6.89 (175.0)	6.50 (165.1)	5.00 (127.0)	0.62 (15.7)	0.500-13UNC-2B	3.88 (98.5)	27.46 (697.5)	23.93 (607.8)	19.54 (496.3)	30.11 (764.8)	2.19 (55.6)	0.14 (3.6)	#116	4
02.00	17.38 (441.5)	13.85 (351.8)	7.87 (199.9)	7.00 (177.8)	6.00 (152.4)	0.75 (19.0)	0.625-11UNC-2B	4.75 (120.6)	27.95 (709.9)	24.42 (620.3)	20.03 (508.8)	30.60 (777.2)	2.81 (71.4)			4
03.00	18.73 (475.7)	15.20 (386.0)	10.24 (260.1)	NA	7.50 (190.5)	0.75 (19.0)	NA	6.00 (152.4)	29.30 (744.2)	25.77 (654.6)	21.38 (543.1)	31.95 (811.5)	3.35 (85.1)	0.16 (4.1)	#214	4
04.00	20.04 (509.0)	16.51 (419.4)	12.87 (326.9)	NA	9.00 (228.6)	0.75 (19.0)	NA	7.50 (190.5)	30.61 (777.5)	27.08 (687.8)	22.69 (576.3)	33.26 (844.8)	4.17 (105.9)			8

DIMENSIONS SHOWN IN () PARENTHESES ARE MILLIMETERS.



LIST OF PARTS			
ITEM	DESCRIPTION	MATERIAL	QTY.
1	BODY, FLANGED PFA LINED	-	1
2	DIAPHRAGM	-	1
3	BONNET, ADAPTER	-	1
4	STUDS	-	SEE CHART
5	NUTS	-	SEE CHART
6	COMPRESSOR, F/ ELASTOMER DIAPHRAGM	-	1
7	PIN, SPIROL	STN. STL. TYPE 302	1
8	FITTING, LUBE #1744-B	-	AR
9	SPINDLE, VALVE	STN. STL. A-582, TYPE 303	1
10	NUT, ADAPTER BUSHING	M.I. A-47, GR. 32510	AR
* 11	O-RING 'SEE CHART'	BUNA-N	AR
12	COVER, LOWER	ALUMINUM	1
* 13	DIAPHRAGM, AIR MOTOR	BUNA-N	1
14	COVER, UPPER	ALUMINUM	1
15	PLATE, ACTUATOR	C.I. A-126, CL. B	2
16	SCREW, HEX. HD. CAP	CAR. STL.	1
17	SCREW, HEX HD. CAP	CAR. STL.	9
18	NUT, HEX	CAR. STL.	9
19	SPINDLE, VALVE YOKE	STN. STL. A-582, TYPE 303	1
20	YOKE	D.I. A-395, GR. 60-40-18	1
21	COUPLING, HALF	STN. STL. A-351, GR. CF8	2
22	SCREW, HEX HD. CAP	CAR. STL.	2
23	NUT, HEX	CAR. STL.	2
24	SCALE, INDICATING	STN. STL.	1
25	BUSHING, ADAPTER	CAR. STL. A-108, GR. 12L14	AR
26	SPINDLE, ACTUATOR	STN. STL. A-582, TYPE 302	1
* 27	DIAPHRAGM, PTFE	R2	1
* 28	CUSHION, BACKING	ELASTOMER	1
29	NUT, TUBE	BRASS B-16, C36000 H02	1
30	COMPRESSOR, F/ PTFE DIAPHRAGM	-	1
31	PLUG, PIPE	CAR. STL. A-181, GR. 1	2
32	PLATE, IDENTIFICATION	STN. STL. A-240, TYPE 304	1
33	SCREW, DRIVE TYPE U	CAR. STL. SAE GR. 2	4
34	SPOOL, ADAPTER	CAR. STL. A-108, GR. 12L14	1
35	PLUG, VENT	STN. STL. TYPE 304	1
36	SPINDLE, HEAD	D.I. ASTM A395 GR.60-40-18	1
37	SPRING NO. 103	STEEL ASTM A227	1
38	PLUG, PIPE	PLASTIC	1
39	SCREW, MACHINE FILLISTER HD.	STN. STL. 18-8	1
40	MAGNET, CRUCIBLE U-181	-	1
41	RING, RETAINING	STEEL	1
* 42	O-RING #115	BUNA-N	1
* 43	SPACER, INDICATOR HOUSING	ALUMINUM B-211	1
* 44	O-RING #110	BUNA-N	2
45	HOUSING, INDICATOR	ALUMINUM B-26	1
46	ROD, INDICATOR	ALUMINUM B-211	1
47	TUBE, INDICATOR	PLASTIC	1

* RECOMMENDED SPARE PARTS

ENGRD VALVES ORDER: - ITEM: -
SHEET - OF -
FIGURE NO.: -
CUSTOMER: -
CUSTOMER P.O.: -
ISSUED BY: _____ CERTIFIED BY: _____

THIRD ANGLE PROJECTION		DATE	BY
	DWN	12-9-03	BLM
	CHKD	12-9-03	STD
	APVD	12-9-03	STD

ECN# 8599

UNLESS OTHERWISE SPECIFIED, ALL DIMENSIONS ARE IN INCHES

DATE	BY
12-9-03	BLM
12-9-03	STD
12-9-03	STD

VALVE ASSEMBLY
WEIR 01.00 THRU 04.00
#25 DIRECT ACTUATOR
WITH FLANGED ENDS
PFA LINED

		ITT Industries		Engineered Valves Lancaster, PA USA	
CS	D	007848	REV	-	-
SHEET 2 OF 2			www.engvalves.com		