
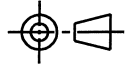
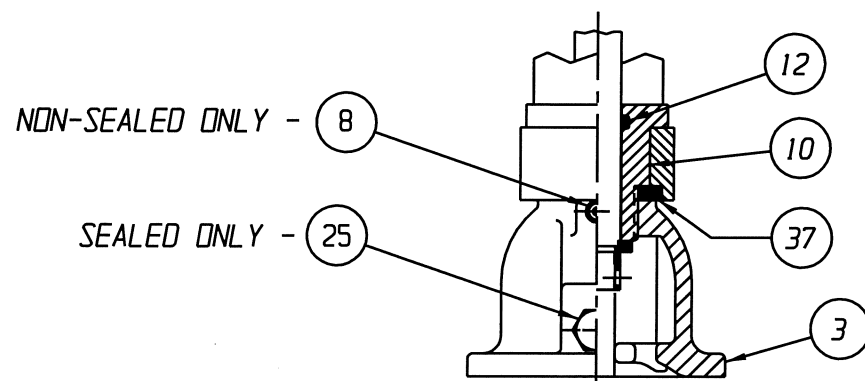
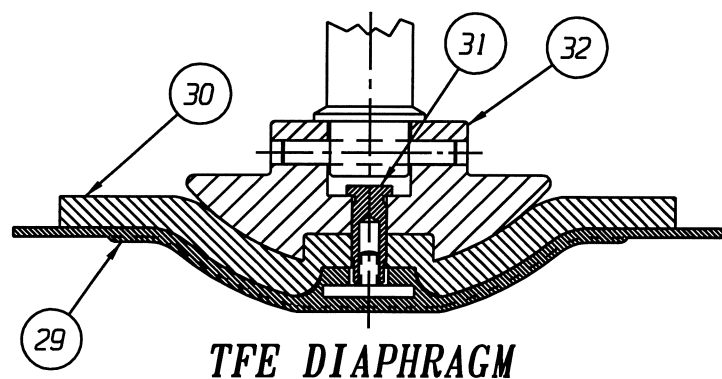


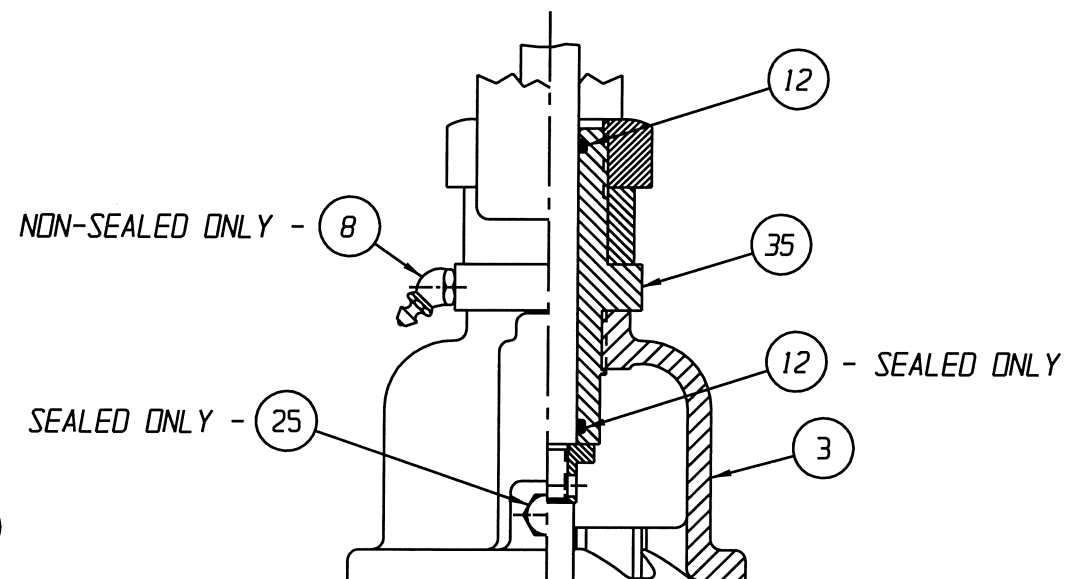
UNLESS OTHERWISE SPECIFIED, DIMENSIONS NOT SHOWN IN BRACKETS [] ARE IN INCHES. DIMENSIONS SHOWN IN BRACKETS [] ARE IN MILLIMETERS.

ENGRD VALVES ORDER: -	ITEM: -	THIRD ANGLE PROJECTION	DATE	BY	VALVE ASSEMBLY	 ITT Engineered Valves www.engvalves.com
FIGURE NO.: -			DWN 09/15/09	DJS	WEIR 00.50 THRU 02.00	
CUSTOMER: -			CHKD 09/15/09	STD	#12 REVERSE ACTUATOR	000000-000 SHEET 1 OF 2 REV -
CUSTOMER P.O.: -			APVD 09/15/09	STD	WITH FLANGED ENDS PFA LINED	
		ALL DIMENSIONS SHOWN ON THIS DRAWING ARE FOR REFERENCE ONLY	MASTER DWG: 007849-1/2/A	ECN# 12646	ISSUED BY: -	CERT BY: -

VALVE SIZE	'A'	'B'	'C'		'D' DIA	'E' DIA		'F' DIA	'G'	'H'	'J'	'K'	'L'	'M'	O-RING
			STANDARD	INST FACE-TO-FACE		STANDARD	INST FACE-TO-FACE								
00.50	7.44 [189.0]	3.71 [94.2]	5.12 [130.0]	NA	3.74 [95.0]	0.62 [15.8]	NA	2.38 [60.5]	15.66 [397.8]	11.93 [303.0]	7.60 [193.0]	15.82 [401.8]	NA	0.12 [3.0]	#112
00.75	8.44 [214.4]	4.72 [119.9]	5.19 [130.1]	NA	4.25 [107.9]	0.62 [15.8]	NA	2.75 [69.9]	16.29 [413.8]	12.57 [319.3]	8.60 [218.4]	16.45 [417.8]	NA	0.14 [3.6]	
01.00	8.58 [217.9]	4.86 [123.4]	5.75 [146.1]	5.00 [127.0]	4.25 [107.9]	0.62 [15.8]	0.500-13UNC-2B	3.12 [79.3]	16.43 [417.3]	12.71 [322.8]	8.74 [222.0]	16.59 [421.4]	1.88 [47.8]		#114
01.50	9.85 [250.2]	6.12 [155.4]	6.88 [174.8]	6.50 [165.1]	5.00 [127.0]	0.62 [15.8]	0.500-13UNC-2B	3.88 [98.6]	17.08 [433.8]	13.35 [339.1]	10.01 [254.3]	17.24 [437.9]	2.19 [55.6]		
02.00	10.28 [261.1]	6.55 [166.4]	7.88 [200.2]	7.00 [177.8]	6.00 [152.4]	0.75 [19.1]	0.625-11UNC-2B	4.75 [120.7]	17.56 [446.0]	13.83 [351.3]	10.44 [265.2]	17.72 [450.1]	2.81 [71.4]		



00.50 - 01.00
STEEL BONNET
YOKE MOUNTED



01.50 - 02.00
STEEL BONNET
YOKE MOUNTED

LIST OF PARTS			
ITEM	DESCRIPTION	MATERIAL	QTY.
1	BODY, FLANGED PFA LINED	-	1
2	DIAPHRAGM, ELASTOMER	-	1
3	BONNET, ADAPTER	-	1
4	HEX. CAP SCREWS OR STUDS	-	4
5	NUTS	-	4
6	COMPRESSOR, F/ ELASTOMER DIAPHRAGM	ZINC B-86	1
7	PIN, SPIROL	STN. STL. TYPE 302	1
8	FITTING, LUBE	-	1
9	SPINDLE, VALVE	STN. STL. A-582, TYPE 303	1
10	BUSHING, ADAPTER	BRASS	1
11	NUT, HEAVY HEX. JAM	C. STL.	1
* 12	O-RING 'SEE CHART'	BUNA-N	AR
13	COVER, LOWER	ALUMINUM	1
* 14	DIAPHRAGM, AIR MOTOR	BUNA-N	1
15	COVER, UPPER	ALUMINUM	1
16	PLATE, ACTUATOR	ALUMINUM B85, SC84A	2
17	NUT, HEX	CAR. STL.	1
18	SCREW, HEX HD. CAP	CAR. STL.	12
19	NUT, HEX	CAR. STL.	12
20	SPINDLE, VALVE YOKE	STN. STL. A-582, TYPE 303	1
21	YOKE	D.I. A-395, GR. 60-40-18	1
22	COUPLING, HALF	STN. STL. A-351, GR. CFB	2
23	SCREW, HEX HD. CAP	CAR. STL.	2
24	NUT, HEX	CAR. STL.	2
25	PLUG, VENT	STN. STL. TYPE 304	1
26	SPINDLE, ACTUATOR	STN. STL. A-582, TYPE 302	1
27	PLATE, IDENTIFICATION	STN. STL. A-240, TYPE 304	1
28	SCREW, DRIVE TYPE U	CAR. STL. SAE GR. 2	4
* 29	DIAPHRAGM, PTFE	R2	1
* 30	CUSHION, BACKING	ELASTOMER	1
31	NUT, TUBE	BRASS B-16, C36000 HD2	1
32	COMPRESSOR, F/ PLASTIC DIAPHRAGM	ZINC B-86	1
33	SPRING #88	STEEL	1
34	SPRING #89	STEEL	1
35	BUSHING, ADAPTER	CAR. STL. A-108, GR. 12L14	1
Δ 36	SPACER	CAR. STL.	1
Δ 37	SPACER, YOKE	BRASS	1
38	RING, RETAINING	STEEL	1
39	ROD, INDICATING	STN. STL. 18-8	1
40	SPRING, #99	STEEL	1
41	CAP	PLASTIC	1
42	WASHER, SPRINGLOCK	CAR. STL.	2
43	WASHER	NYLON	1

* RECOMMENDED SPARE PARTS

NOTE:

- Δ 1. FOR USE WITH 01.25 THRU 02.00 VALVE ASSEMBLIES, ALSO VALVE TRAVEL WILL BE RESTRICTED TO 0.62.
- Δ 2. USED ONLY WITH 00.50" STN. STL. BONNET.

UNLESS OTHERWISE SPECIFIED, DIMENSIONS NOT SHOWN IN BRACKETS [] ARE IN INCHES. DIMENSIONS SHOWN IN BRACKETS [] ARE IN MILLIMETERS.

ENGRD VALVES ORDER: -	ITEM: -	THIRD ANGLE PROJECTION	DATE	BY	VALVE ASSEMBLY WEIR 00.50 THRU 02.00 #12 REVERSE ACTUATOR WITH FLANGED ENDS PFA LINED
FIGURE NO.: -			DWN 09/15/09	DJS	
CUSTOMER: -			CHKD 09/15/09	STO	
CUSTOMER P.O.: -		ALL DIMENSIONS SHOWN ON THIS DRAWING ARE FOR REFERENCE ONLY	APVD 09/15/09	STO	MASTER DWG: 007849-2/2/A
			ISSUED BY: -	CERT BY: -	



ITT

Engineered Valves
www.engvalves.com

000000-000
SHEET 2 OF 2
REV -