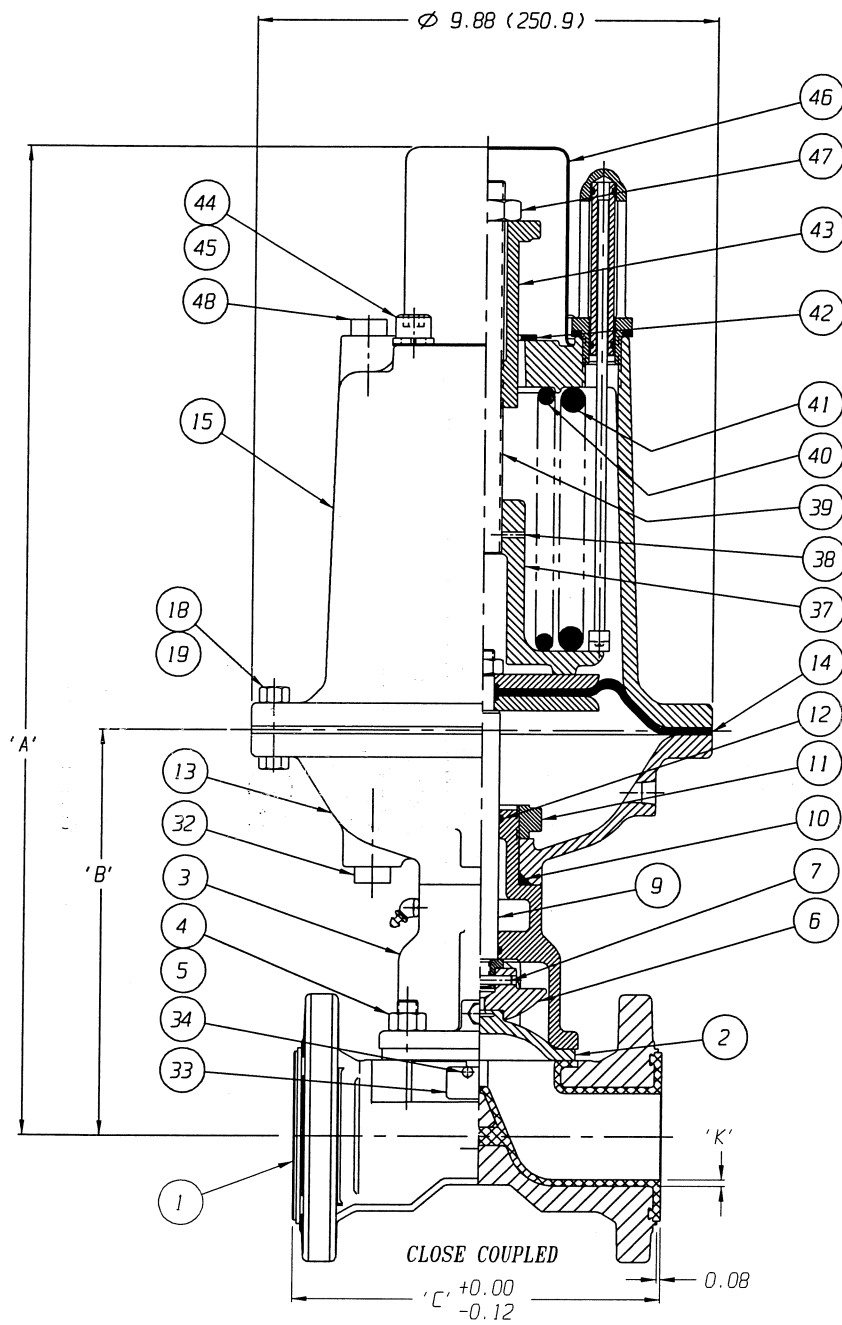
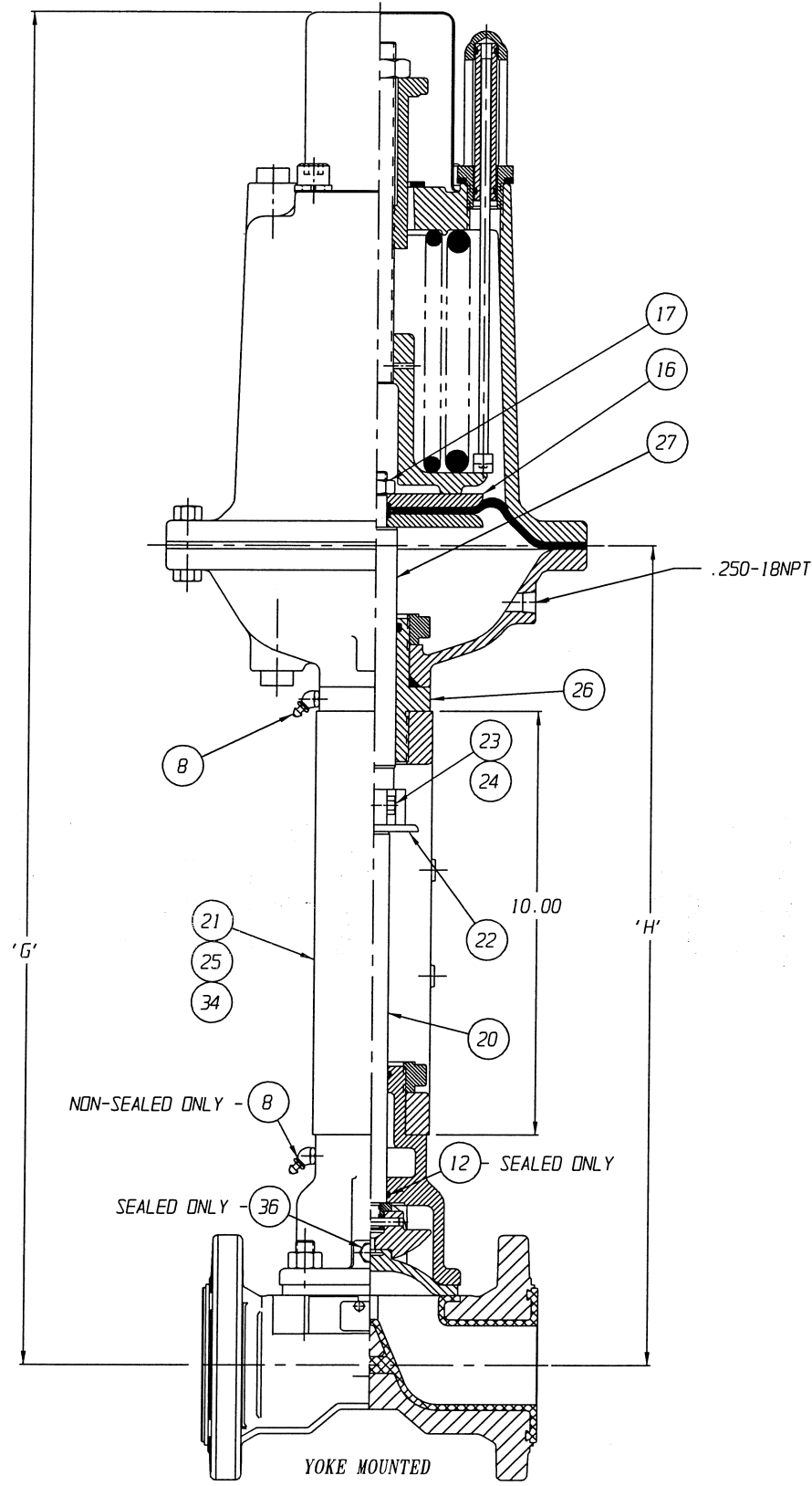


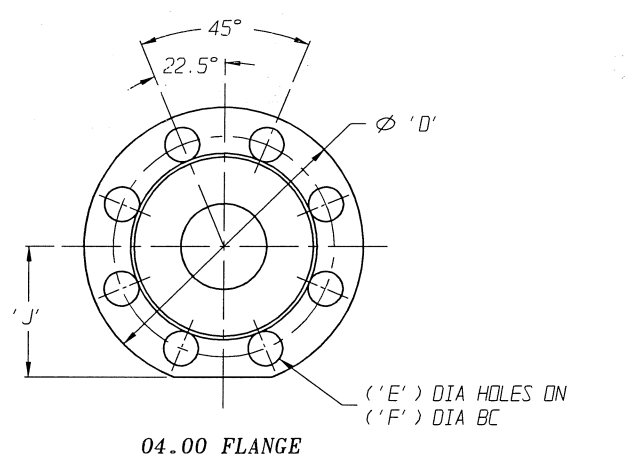
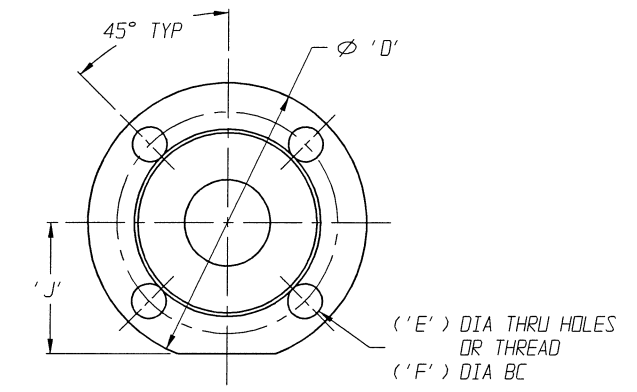
POSITION INDICATOR IS SHOWN 90° FROM TRUE POSITION



FURNISHED



FURNISHED



ENGRD VALVES ORDER: - ITEM: -  
 SHEET - OF -  
 FIGURE NO.: -  
 CUSTOMER: -  
 CUSTOMER P.O.: -  
 ISSUED BY: - CERTIFIED BY: -

THIRD ANGLE PROJECTION		DATE	BY
	DWN	12-16-03	BLM
	CHKD	12-16-03	STD
	APVD	12-16-03	STD

ECN# 8599

UNLESS OTHERWISE SPECIFIED, ALL DIMENSIONS ARE IN INCHES

VALVE ASSEMBLY  
 WEIR 01.00 THRU 04.00  
 #25 REVERSE ACTUATOR  
 WITH FLANGED ENDS  
 PFA LINED

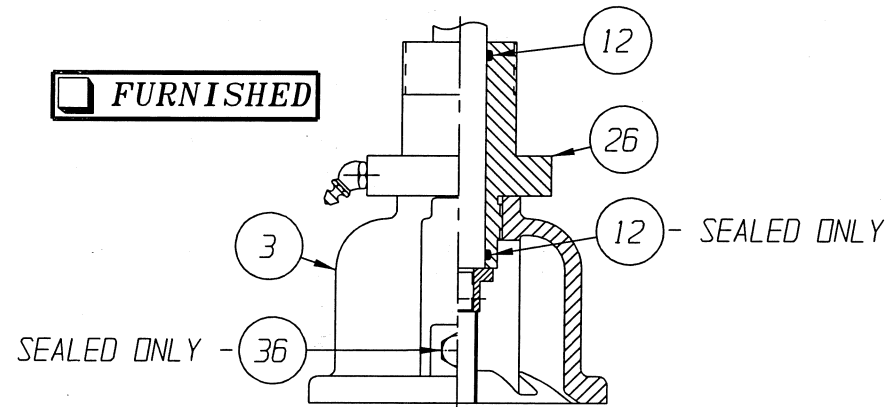
**ITT Industries**  
 Engineered Valves  
 Lancaster, PA USA

CS	D	007850	REV
		SHEET 1 OF 2	-

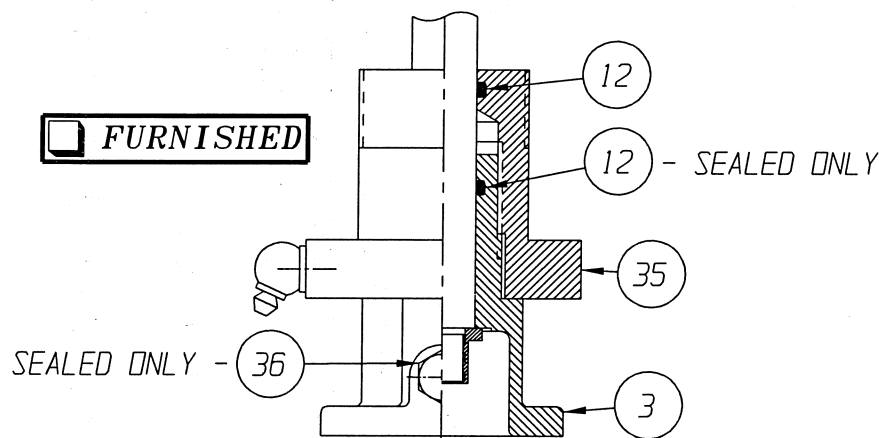
www.engvalves.com

VALVE SIZE	'A'	'B'	'C'		'D' DIA	'E' DIA		'F' DIA	'G'	'H'	'J'	'K'	O-RING	QTY. BODY STUDS/NUTS
			STANDARD	ANSI FACE-TO-FACE		STANDARD	ANSI FACE-TO-FACE							
01.00	19.18 (487.2)	6.65 (168.9)	5.81 (147.6)	5.00 (127.0)	4.25 (108.0)	0.62 (15.8)	0.500-13UNC-2B	3.12 (79.3)	29.74 (755.4)	17.21 (437.1)	1.88 (47.8)		#114	
01.50	20.82 (528.8)	8.29 (210.6)	6.89 (175.0)	6.50 (165.1)	5.00 (127.0)	0.62 (15.8)	0.500-13UNC-2B	3.88 (98.6)	31.39 (797.3)	18.86 (479.0)	2.19 (55.6)	0.14 (3.6)	#116	4
02.00	21.55 (547.4)	8.78 (223.0)	7.87 (199.9)	7.00 (177.8)	6.00 (152.4)	0.75 (19.0)	0.625-11UNC-2B	4.75 (120.7)	31.88 (809.8)	19.35 (491.5)	2.81 (71.4)			
03.00	22.66 (575.6)	10.13 (257.3)	10.24 (260.1)	NA	7.50 (190.5)	0.75 (19.0)	NA	6.00 (152.4)	33.22 (843.8)	20.69 (525.5)	3.35 (85.1)	0.16 (4.1)	#214	
04.00	23.97 (608.8)	11.44 (290.6)	12.87 (326.9)	NA	9.00 (228.6)	0.75 (19.0)	NA	7.50 (190.5)	34.53 (877.1)	21.00 (533.4)	4.17 (105.9)			8

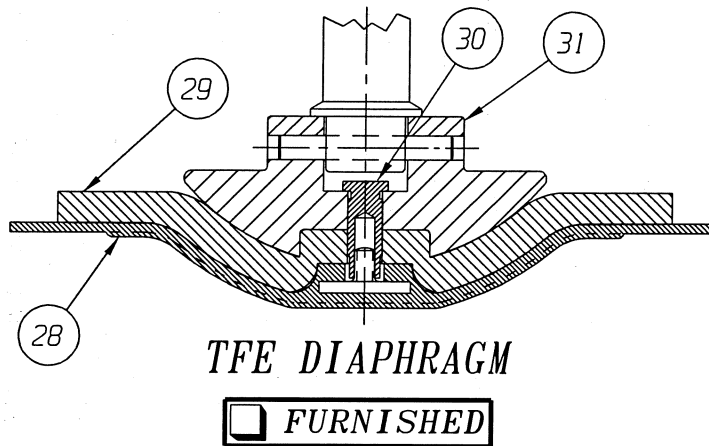
DIMENSIONS SHOWN IN ( ) PARENTHESES ARE MILLIMETERS.



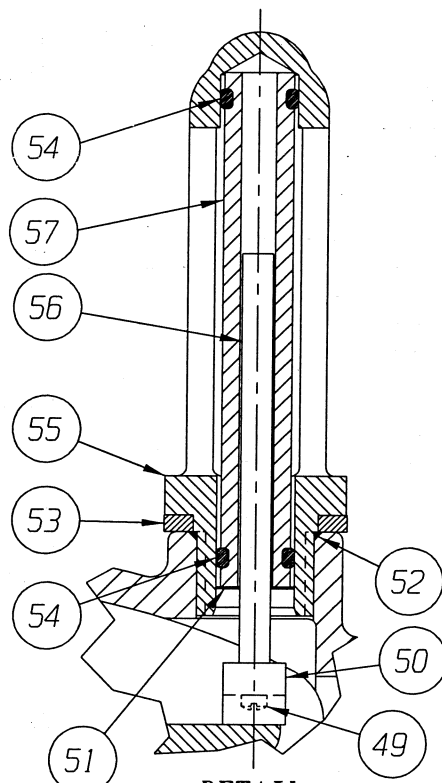
S.S. BONNET W/ADAPTER BUSHING  
01.50 THRU 04.00 CLOSE COUPLED  
& YOKE MOUNTED.



BONNET W/ADAPTER SPOOL  
01.00 CLOSE COUPLED  
& YOKE MOUNTED.



TFE DIAPHRAGM



DETAIL POSITION INDICATOR  
(OPTIONAL)

FURNISHED

LIST OF PARTS			
ITEM	DESCRIPTION	MATERIAL	QTY.
1	BODY, FLANGED PFA LINED	-	1
2	DIAPHRAGM	-	1
3	BONNET, ADAPTER	-	1
4	STUDS	-	SEE CHART
5	NUTS	-	SEE CHART
6	COMPRESSOR, F/ ELASTOMER DIAPHRAGM	-	1
7	PIN, SPIROL	STN. STL. TYPE 302	1
8	FITTING, LUBE #1744-B	-	AR
9	SPINDLE, VALVE	STN. STL. A-582, TYPE 303	1
* 10	O-RING #326	BUNA-N	1
11	NUT, ADAPTER BUSHING	M.I. A-47, GR. 32510	AR
* 12	O-RING 'SEE CHART'	BUNA-N	AR
13	COVER, LOWER	ALUMINUM	1
* 14	DIAPHRAGM, AIR MOTOR	BUNA-N	1
15	COVER, UPPER	ALUMINUM	1
16	PLATE, ACTUATOR	C.I. A-126, CL. B	2
17	NUT, HEX JAM	CAR. STL.	1
18	SCREW, HEX HD. CAP	CAR. STL.	9
19	NUT, HEX	CAR. STL.	9
20	SPINDLE, VALVE YOKE	STN. STL. A-582, TYPE 303	1
21	YOKE	D.I. A-395, GR. 60-40-18	1
22	COUPLING, HALF	STN. STL. A-351, GR. CF8	2
23	SCREW, HEX HD. CAP	CAR. STL.	2
24	NUT, HEX	CAR. STL.	2
25	SCALE, INDICATING	STN. STL.	1
26	BUSHING, ADAPTER	CAR. STL. A-10B, GR. 12L14	AR
27	SPINDLE, ACTUATOR	STN. STL. A-582, TYPE 302	1
* 28	DIAPHRAGM, PTFE	R2	1
* 29	CUSHION, BACKING	ELASTOMER	1
30	NUT, TUBE	BRASS B-16, C36000 H02	1
31	COMPRESSOR, F/ PTFE DIAPHRAGM	-	1
32	PLUG, PIPE	CAR. STL. A-181, GR. 1	1
33	PLATE, IDENTIFICATION	STN. STL. A-240, TYPE 304	1
34	SCREW, DRIVE TYPE U	CAR. STL. SAE GR. 2	4
35	SPOOL, ADAPTER	CAR. STL. A-10B, GR. 12L14	1
36	PLUG, VENT	STN. STL. TYPE 304	1
37	SEAT, SPRING	C.I. ASTM A126 CL. B	1
38	PIN, SPIROL (SPRING SEAT)	STN. STL. AISI 302	1
39	ROD, SPRING	CAR. STL. ASTM A108	1
40	SPRING NO. 102A	STEEL ASTM A229	1
41	SPRING NO. 101	STEEL ASTM A689	1
42	WASHER, THRUST	CAR. STL. AISI 1010	1
43	BUSHING, ADJUSTING	D.I. ASTM A395 GR.60-40-18	1
44	SCREW, HEX. SOC. HD. CAP	CAR. STL.	2
45	WASHER, SPRINGLOCK	CAR. STL.	2
46	SHIELD, TRAVEL STOP	CAR. STL.	1
47	NUT, HEX. JAM	CAR. STL. SAE GR. 2	1
48	PLUG, PIPE	PLASTIC	2
49	SCREW, MACHINE FILLISTER HD.	STN. STL. 18-8	1
50	MAGNET, CRUCIBLE U-181	-	1
51	RING, RETAINING	STEEL	1
* 52	O-RING #115	BUNA-N	1
53	SPACER, INDICATOR HOUSING	ALUMINUM B-211	1
* 54	O-RING #110	BUNA-N	2
55	HOUSING, INDICATOR	ALUMINUM B-26	1
56	ROD, INDICATOR	ALUMINUM B-211	1
57	TUBE, INDICATOR	PLASTIC	1

\* RECOMMENDED SPARE PARTS

ENGRD VALVES ORDER: - ITEM: -  
SHEET - OF -  
FIGURE NO.: -  
CUSTOMER: -  
CUSTOMER P.O.: -  
ISSUED BY: - CERTIFIED BY: -

ECN# 8599

THIRD ANGLE PROJECTION	DATE	BY
	DWN 12-16-03	BLM
	CHKD 12-16-03	STD
	APVD 12-16-03	STD

VALVE ASSEMBLY  
WEIR 01.00 THRU 04.00  
#25 REVERSE ACTUATOR  
WITH FLANGED ENDS  
PFA LINED

**ITT Industries**  
Engineered Valves  
Lancaster, PA USA

CS D 007850 REV -  
SHEET 2 OF 2  
www.engvalves.com