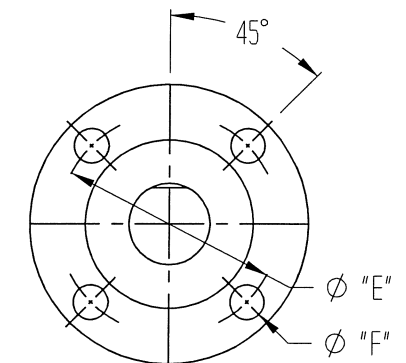
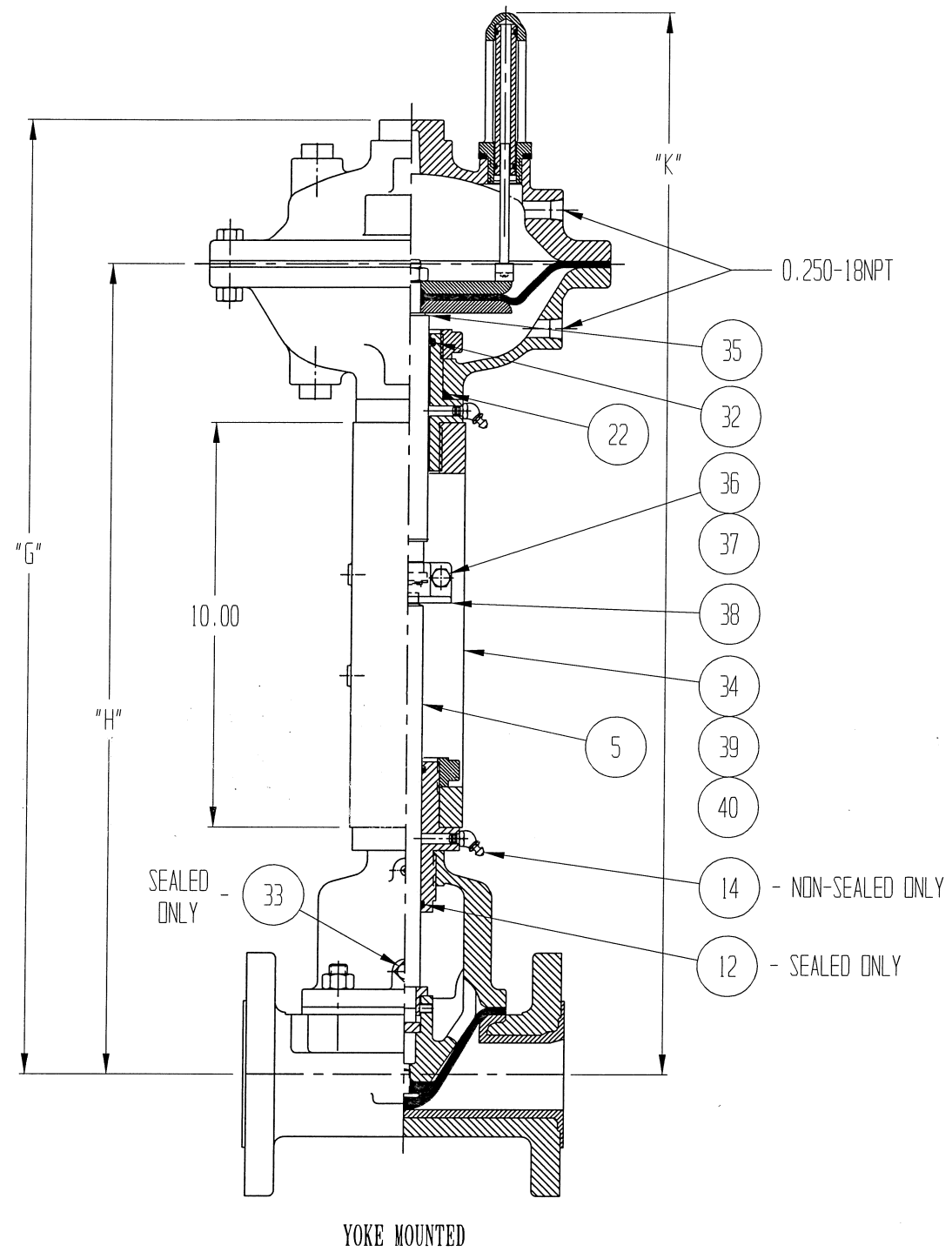
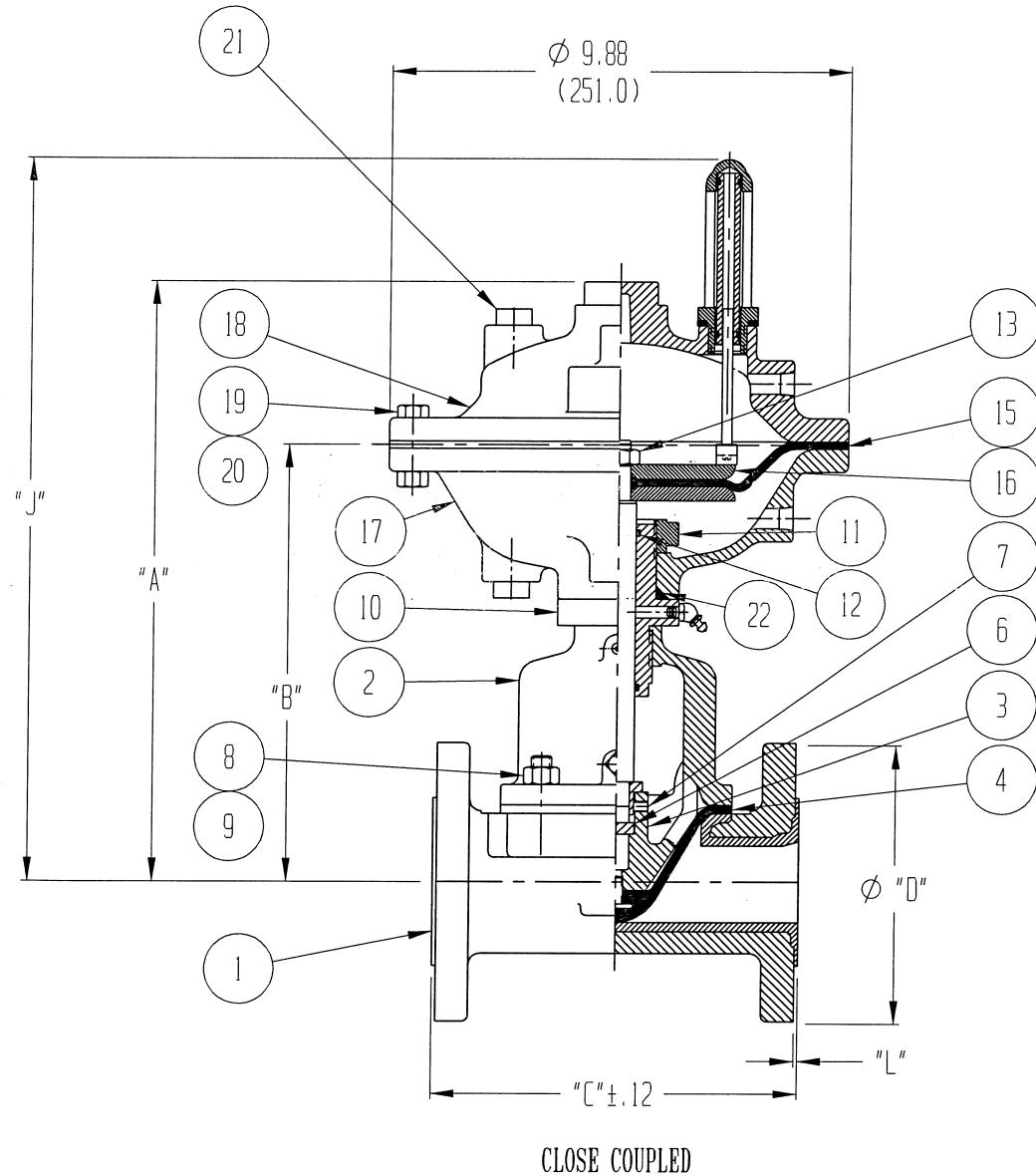


POSITION INDICATOR IS SHOWN 180° FROM TRUE POSITION



ENGRD VALVES ORDER: - ITEM: -
 SHEET - OF -
 FIGURE NO.: -
 CUSTOMER: -
 CUSTOMER P.O.: -
 ISSUED BY: - CERTIFIED BY: -

| THIRD ANGLE PROJECTION | DATE | BY |
|------------------------|---------------|-----|
| | DWN 01-19-04 | BLM |
| | CHKD 01-19-04 | STD |
| | APVD 01-19-04 | STD |

VALVE ASSEMBLY
 STRAIGHTWAY 01.00 - 03.00
 #25 DOUBLE ACTUATOR
 W/FLANGED ENDS
 PLASTIC LINED

ITT Industries
 Engineered Valves Lancaster, PA USA

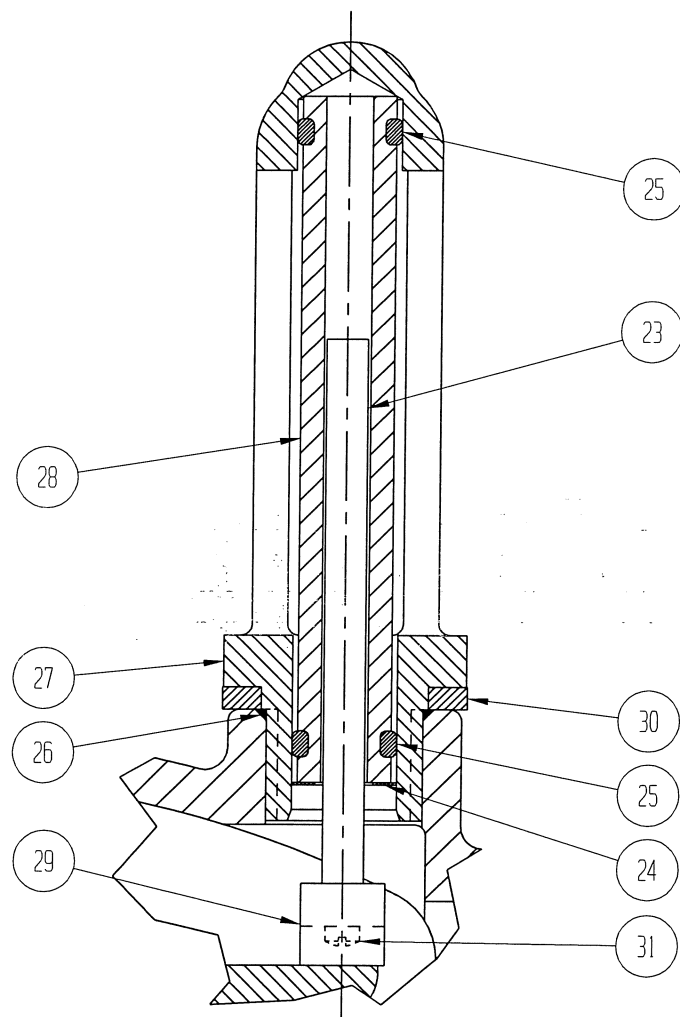
| | | | |
|----|---|--------------|-----|
| CS | D | 007921 | REV |
| | | SHEET 1 OF 2 | - |

ECN# 8676

UNLESS OTHERWISE SPECIFIED,
 ALL DIMENSIONS ARE IN INCHES

| VALVE SIZE | "A" | "B" | "C" | "D" DIA | "E" DIA | "F" DIA | "G" | "H" | "J" | "K" | "L" | BONNET STUDS/NUTS QTY. | O-RING |
|------------|------------------|------------------|------------------|-----------------|-----------------|----------------|------------------|------------------|------------------|------------------|---------------|------------------------|--------|
| 01.00 | 11.34 (288.0) | 7.69 (195.3) | 5.75 (146.1) | 4.25 (108.0) | 3.12 (79.2) | 0.63 (16.0) | 21.90 (556.3) | 18.25 (463.6) | 13.88 (352.6) | 24.44 (620.8) | 0.06 (1.5) | 4 | #116 |
| 01.50 | 12.24 (310.9) | 8.59 (218.2) | 6.88 (174.8) | 5.00 (127.0) | 3.88 (98.6) | 0.63 (16.0) | 22.80 (579.1) | 19.15 (486.4) | 14.78 (375.4) | 25.34 (643.6) | 0.06 (1.5) | 4 | |
| 02.00 | 13.28 (337.3) | 9.63 (244.6) | 7.88 (200.2) | 6.00 (152.4) | 4.75 (120.7) | 0.75 (19.1) | 23.84 (605.5) | 20.19 (512.8) | 15.82 (401.8) | 26.38 (670.1) | 0.06 (1.5) | 4 | |
| 03.00 | 14.26 (362.2) | 10.61 (269.5) | 10.25 (260.4) | 7.50 (190.5) | 6.00 (152.4) | 0.75 (19.1) | 24.82 (630.4) | 21.17 (537.7) | 16.80 (426.7) | 27.36 (694.9) | 0.12 (3.1) | 6 | #214 |

DIMENSIONS SHOWN IN PARENTHESES ARE MILLIMETERS.



**DETAIL
POSITION INDICATOR
(OPTIONAL)**

| LIST OF PARTS | | | |
|---------------|-----------------------------|--------------|-----------|
| ITEM | DESCRIPTION | MATERIAL | QTY. |
| 1 | BODY, PLASTIC LINED | - | 1 |
| 2 | BONNET | - | 1 |
| 3 | COMPRESSOR | C.I. | 1 |
| * 4 | DIAPHRAGM | - | 1 |
| 5 | SPINDLE, VALVE | STN. STL. | 1 |
| 6 | INSERT | C. STL. | 1 |
| 7 | PIN, SPIROL | STN. STL. | 1 |
| 8 | STUD | - | SEE CHART |
| 9 | NUT, HEX | - | SEE CHART |
| 10 | BUSHING, ADAPTER | C. STL. | AR |
| 11 | NUT, ADAPTER BUSHING | D.I. | AR |
| * 12 | O-RING (SEE CHART) | BUNA-N (FDA) | AR |
| 13 | NUT, HEX JAM | C. STL. | 1 |
| 14 | LUBE, FITTING | - | AR |
| * 15 | DIAPHRAGM, AIR MOTOR | BUNA-N | 1 |
| 16 | PLATE, ACTUATOR | C.I. | 2 |
| 17 | COVER, LOWER | ALUMINUM | 1 |
| 18 | COVER, UPPER | ALUMINUM | 1 |
| 19 | NUT, HEX | C. STL. | 9 |
| 20 | CAPSCREW, HEX | C. STL. | 9 |
| 21 | PLUG, PIPE SQ HD | C. STL. | 2 |
| 22 | O-RING #326 | BUNA-N (FDA) | 1 |
| 23 | ROD, INDICATOR | ALUMINUM | 1 |
| 24 | RING, RETAINING | STEEL | 1 |
| * 25 | O-RING #110 | BUNA-N (FDA) | 2 |
| * 26 | O-RING #115 | BUNA-N (FDA) | 1 |
| 27 | HOUSING, INDICATOR | ALUMINUM | 1 |
| 28 | TUBE, INDICATOR | PLASTIC | 1 |
| 29 | MAGNET, CRUCIBLE U-181 | - | 1 |
| 30 | SPACER, INDICATOR HOUSING | ALUMINUM | 1 |
| 31 | SCREW, MACHINE FILLISTER HD | STN. STL. | 1 |
| * 32 | O-RING #214 | BUNA-N (FDA) | 1 |
| 33 | PLUG, VENT | STN. STL. | 1 |
| 34 | YOKE | D.I. | 1 |
| 35 | SPINDLE, ACTUATOR | STN. STL. | 1 |
| 36 | SCREW, CAP HEX | C. STL. | 2 |
| 37 | NUT, HEX | C. STL. | 2 |
| 38 | COUPLING, HALF | STN. STL. | 1 |
| 39 | SCALE, INDICATOR | STN. STL. | 1 |
| 40 | SCREW, DRIVE | C. STL. | 2 |

*RECOMMENDED SPARE PARTS

ENGRD VALVES ORDER: - _____ ITEM: - _____
 SHEET - _____ OF - _____
 FIGURE NO.: - _____
 CUSTOMER: - _____
 CUSTOMER P.O.: - _____
 ISSUED BY: _____ CERTIFIED BY: _____

| THIRD ANGLE PROJECTION | | DATE | BY |
|------------------------|------|----------|-----|
| | DWN | 01-19-03 | BLM |
| | CHKD | 01-19-03 | STD |
| | APVD | 01-19-03 | STD |

VALVE ASSEMBLY
 STRAIGHTWAY 01.00 - 03.00
 #25 DOUBLE ACTUATOR
 W/FLANGED ENDS
 PLASTIC LINED

ITT Industries
 Engineered Valves Lancaster, PA USA

CS D 007921
 SHEET 2 OF 2

REV -

ECN# 8676

UNLESS OTHERWISE SPECIFIED,
 ALL DIMENSIONS ARE IN INCHES