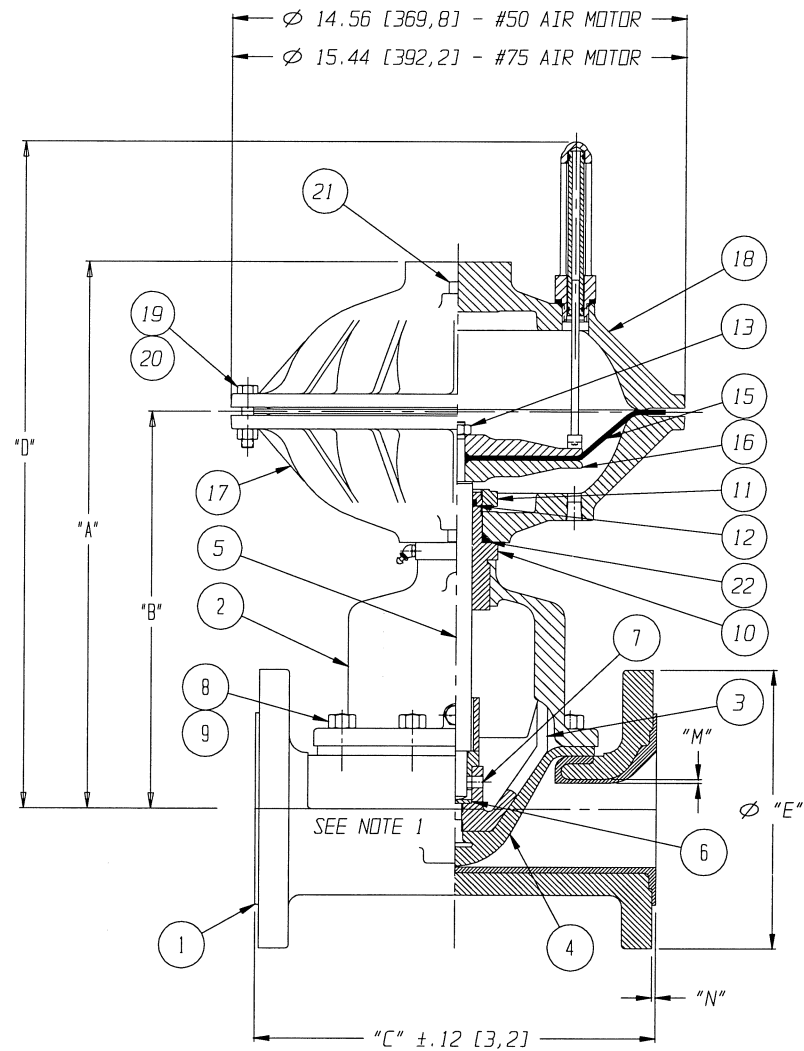


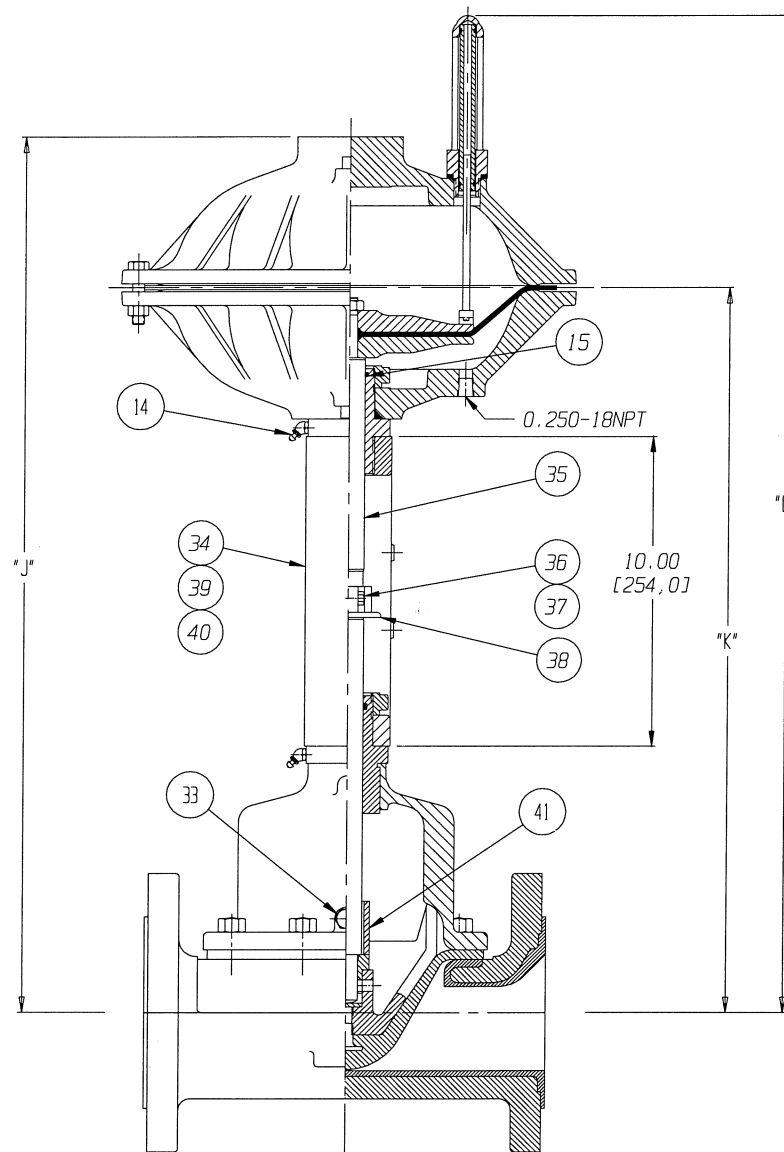
NOTE:
1. VALVE IS BI-DIRECTIONAL (NO FLOW ARROW).

POSITION INDICATOR IS SHOWN 90° FROM TRUE POSITION



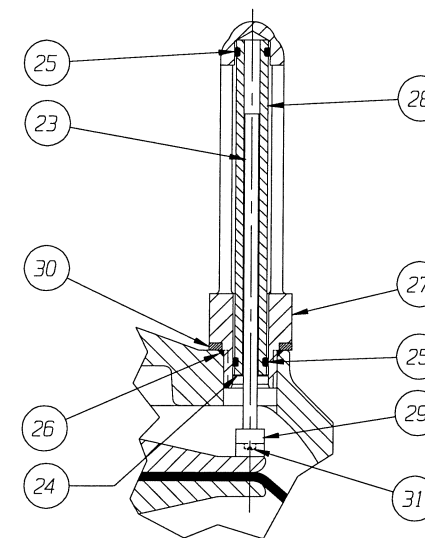
CLOSE COUPLED

FURNISHED

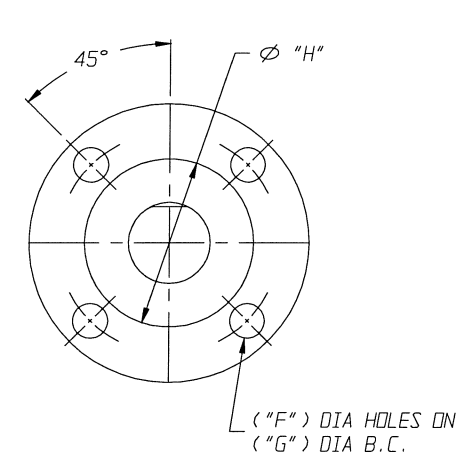


YOKE MOUNTED

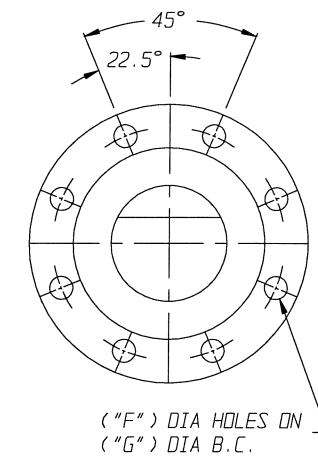
FURNISHED



DETAIL: POSITION INDICATOR (OPTIONAL)



01.00 - 03.00 FLANGE



04.00 & 06.00 FLANGE

ENGRD VALVES ORDER: - _____ ITEM: - _____
SHEET - _____ OF - _____
FIGURE NO.: - _____
CUSTOMER: - _____
CUSTOMER P.O.: - _____
ISSUED BY: _____ CERTIFIED BY: _____

UNLESS OTHERWISE SPECIFIED, DIMENSIONS NOT SHOWN IN BRACKETS [] ARE IN INCHES.
DIMENSIONS SHOWN IN BRACKETS [] ARE IN MILLIMETERS.

THIRD ANGLE PROJECTION	DATE	BY	VALVE ASSEMBLY STRAIGHTWAY 01.00 - 06.00 #50 & #75 DOUBLE ACTUATOR WITH FLANGED ENDS PLASTIC LINED
	DWN	11/21/06	DJS
	CHKD	11/21/06	STD
	APVD	11/21/06	STD

ECN# 10650

ALL DIMENSIONS SHOWN ON THIS DRAWING ARE FOR REFERENCE ONLY

ITT Engineered Valves Group
Lancaster, PA USA

CS D 007922
SHEET 1 OF 2

REV A

www.engvalves.com

#50 AIR MOTOR

VALVE SIZE	"A"	"B"	"C"	"D"	"E" DIA	"F" DIA	"G" DIA	"H" DIA	"J"	"K"	"L"	"M"	"N"	BONNET QTY CAP. SCREWS STUDS/NUTS	O-RING
01.00	13.28 [337,3]	8.51 [216,2]	5.75 [146,1]	16.72 [424,7]	4.25 [108,0]	0.62 [15,7]	3.12 [79,2]	2.00 [50,8]	23.85 [605,8]	19.08 [484,6]	27.29 [693,2]	0.19 [4,8]	0.06 [1,5]	4	#116
01.50	14.13 [358,9]	9.36 [237,7]	6.88 [174,8]	17.57 [446,3]	5.00 [127,0]	0.62 [15,7]	3.88 [98,6]	2.88 [73,2]	24.70 [627,4]	19.93 [506,2]	28.14 [714,8]	0.19 [4,8]	0.06 [1,5]	4	
02.00	15.16 [385,1]	10.39 [263,9]	7.88 [200,2]	18.60 [472,4]	6.00 [152,4]	0.75 [19,1]	4.75 [120,7]	3.62 [91,9]	25.73 [653,5]	20.96 [532,4]	29.17 [740,9]	0.19 [4,8]	0.06 [1,5]	4	
03.00	16.15 [410,2]	11.38 [289,1]	10.25 [260,4]	19.59 [497,6]	7.50 [190,5]	0.75 [19,1]	6.00 [152,4]	5.00 [127,0]	26.72 [678,7]	21.95 [557,5]	30.16 [766,1]	0.19 [4,8]	0.12 [3,0]	6	#214
04.00	17.64 [448,1]	12.87 [326,9]	12.88 [327,2]	21.08 [535,4]	9.00 [228,6]	0.75 [19,1]	7.50 [190,5]	6.19 [157,2]	28.21 [716,5]	23.44 [595,4]	31.65 [803,9]	0.19 [4,8]	0.12 [3,0]	8	

#75 AIR MOTOR

VALVE SIZE	"A"	"B"	"C"	"D"	"E" DIA	"F" DIA	"G" DIA	"H" DIA	"J"	"K"	"L"	"M"	"N"	BONNET QTY CAP. SCREWS STUDS/NUTS	O-RING
02.00	15.15 [384,8]	10.38 [263,7]	7.88 [200,2]	18.59 [472,2]	6.00 [152,4]	0.75 [19,1]	4.75 [120,7]	3.62 [91,9]	25.72 [653,3]	20.95 [532,1]	29.17 [740,9]	0.19 [4,8]	0.06 [1,5]	4	#116
03.00	16.14 [410,0]	11.37 [288,8]	10.25 [260,4]	19.58 [497,3]	7.50 [190,5]	0.75 [19,1]	6.00 [152,4]	5.00 [127,0]	26.71 [678,4]	21.94 [557,3]	30.16 [766,1]	0.19 [4,8]	0.12 [3,0]	6	#214
04.00	17.63 [447,8]	12.86 [326,6]	12.88 [327,2]	21.07 [535,2]	9.00 [228,6]	0.75 [19,1]	7.50 [190,5]	6.19 [157,2]	28.20 [716,3]	23.43 [595,1]	31.65 [803,9]	0.19 [4,8]	0.12 [3,0]	8	
06.00	20.45 [519,4]	15.68 [398,3]	16.38 [416,1]	23.89 [606,8]	11.00 [279,4]	0.88 [22,4]	9.50 [241,3]	8.38 [212,9]	31.02 [787,9]	26.25 [666,8]	34.46 [875,3]	0.22 [5,6]	0.12 [3,0]	8	

LIST OF PARTS

ITEM	DESCRIPTION	MATERIAL	QTY.
1	BODY, PLASTIC LINED	-	1
2	BONNET, ADAPTER	-	1
3	COMPRESSOR	C.I.	1
* 4	DIAPHRAGM	-	1
5	SPINDLE, VALVE	STN. STL.	1
6	INSERT	C. STL.	1
7	PIN, SPIROL	STN. STL.	AR
8	STUD	-	SEE CHART
9	NUT, HEX	-	SEE CHART
10	BUSHING, ADAPTER	C. STL.	AR
11	NUT, ADAPTER BUSHING	D.I.	AR
* 12	O-RING (SEE CHART)	BUNA-N (FDA)	AR
13	NUT, HEX JAM	C. STL.	1
14	LUBE, FITTING	-	AR
* 15	DIAPHRAGM, AIR MOTOR	BUNA-N	1
16	PLATE, ACTUATOR	C.I.	2
17	COVER, LOWER	ALUMINUM	1
18	COVER, UPPER	ALUMINUM	1
19	NUT, HEX	C. STL.	16
20	SCREW, HEX HD CAP	C. STL.	16
21	PLUG, PIPE SQ HD	C. STL.	2
22	O-RING #326	BUNA-N (FDA)	1
23	ROD, INDICATOR	ALUMINUM	1
24	RING, RETAINING	STEEL	1
* 25	O-RING #110	BUNA-N (FDA)	2
* 26	O-RING #115	BUNA-N (FDA)	1
27	HOUSING, INDICATOR	ALUMINUM	1
28	TUBE, INDICATOR	PLASTIC	1
29	MAGNET, CRUCIBLE U-181	-	1
30	SPACER, INDICATOR HOUSING	ALUMINUM	1
31	SCREW, MACHINE FILLISTER HD	STN. STL.	1
* 32	O-RING #214	BUNA-N (FDA)	1
33	PLUG, VENT	STN. STL.	1
34	YOKE	D.I.	1
35	SPINDLE, ACTUATOR	STN. STL.	1
36	SCREW, HEX HD CAP	C. STL.	2
37	NUT, HEX	C. STL.	2
38	COUPLING, HALF	STN. STL.	2
39	SCALE, INDICATOR	STN. STL.	1
40	SCREW, DRIVE	C. STL.	2
41	SPACER, STOP COLLAR	C. STL.	1

* RECOMMENDED SPARE PARTS

ENGRD VALVES ORDER: - ITEM: -
 SHEET - OF -
 FIGURE NO.: -
 CUSTOMER: -
 CUSTOMER P.O.: -
 ISSUED BY: _____ CERTIFIED BY: _____

UNLESS OTHERWISE SPECIFIED, DIMENSIONS NOT SHOWN IN BRACKETS [] ARE IN INCHES.
 DIMENSIONS SHOWN IN BRACKETS [] ARE IN MILLIMETERS.

	THIRD ANGLE PROJECTION	DATE	BY	VALVE ASSEMBLY STARIGHTWAY 01.00 - 06.00 #50 & #75 DOUBLE ACTUATOR WITH FLANGED ENDS PLASTIC LINED	ITT Engineered Valves Group Lancaster, PA USA
		DWN 11/21/06	DJS		
		CHKD 11/21/06	STD		
		APVD 11/21/06	STD		

ECN# 10650

ALL DIMENSIONS SHOWN ON THIS DRAWING ARE FOR REFERENCE ONLY

CS D 007922 REV A
 SHEET 2 OF 2
 www.engvalves.com