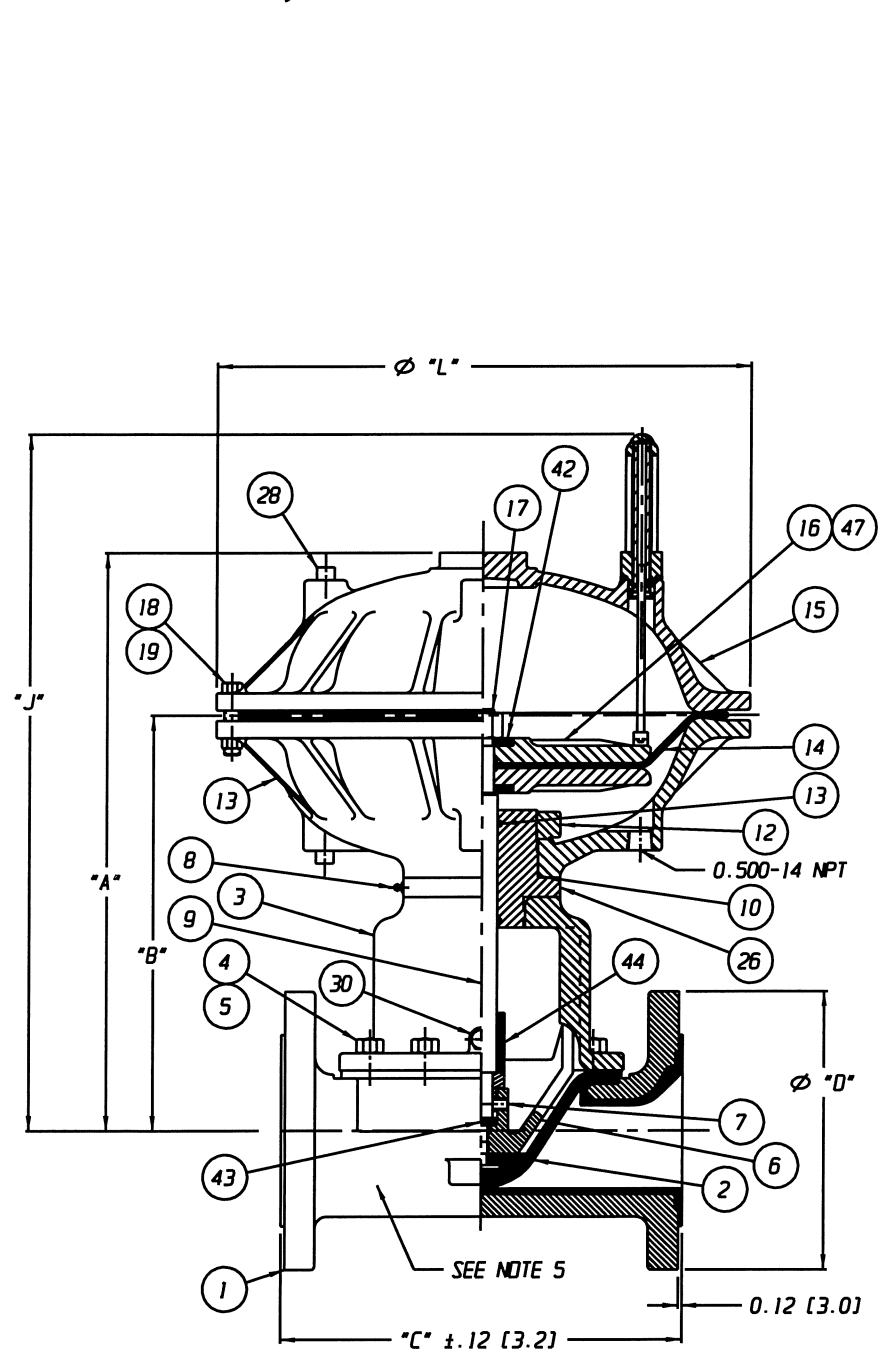
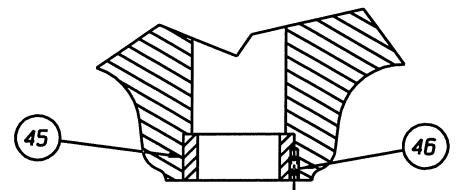


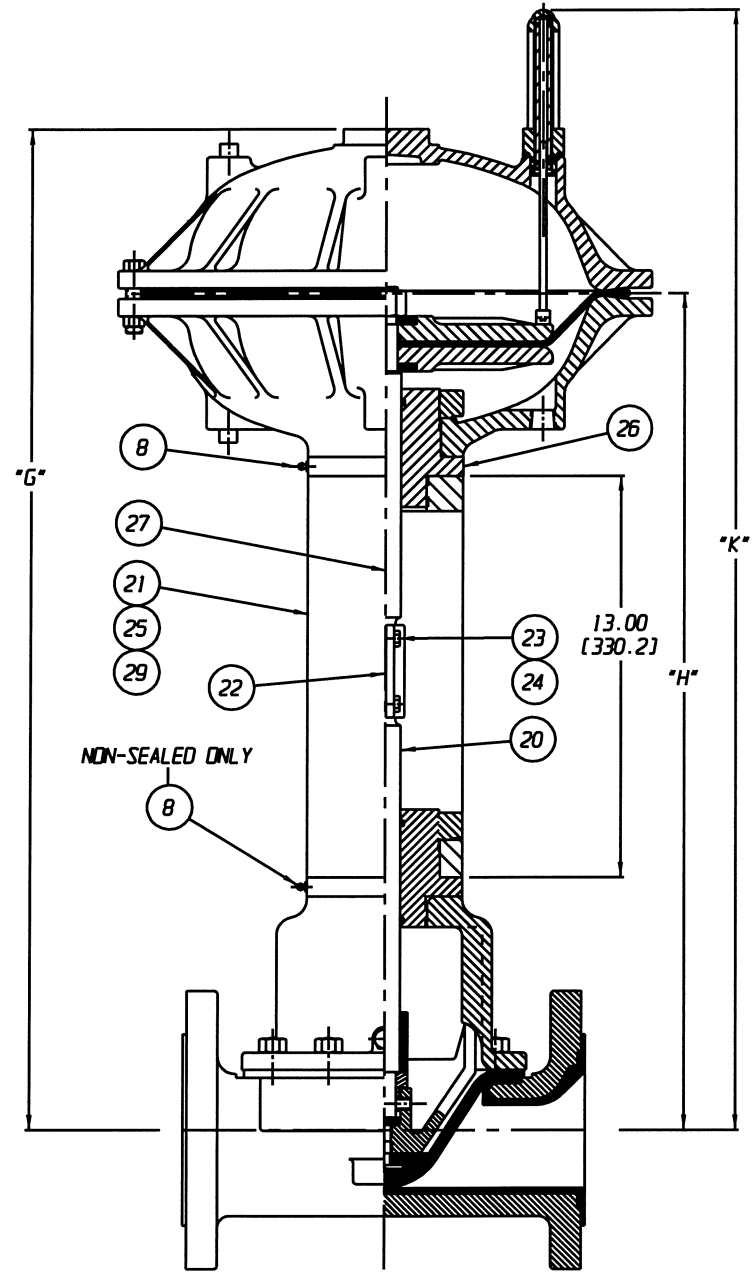
- NOTES:**
 1. POSITION INDICATOR IS SHOWN 90° FROM TRUE POSITION
 2. ITEM 8 (FITTING, LUBE) IS FOR NON-SEALED ONLY ON CLOSE COUPLED ASSEMBLIES.



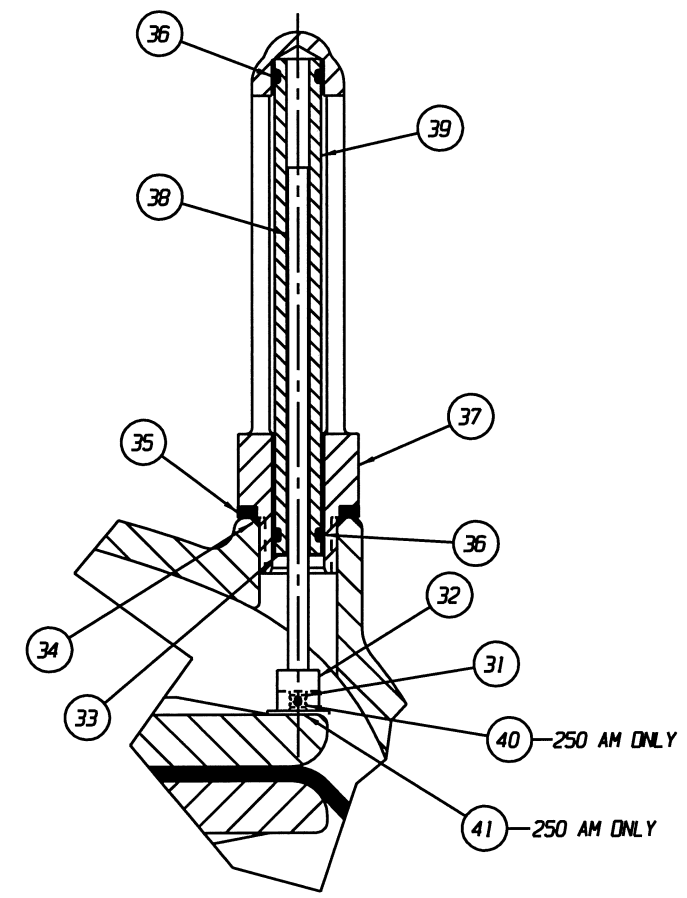
CLOSE COUPLED



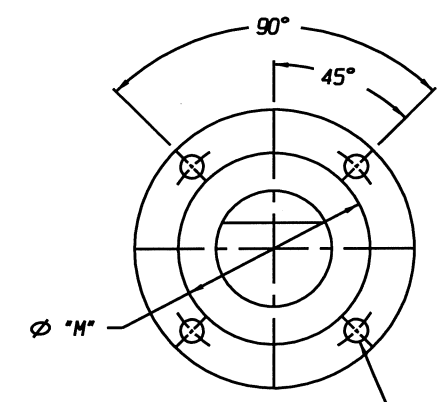
**DETAIL: 08.00 BONNET
 #250 AIR MOTOR ONLY**



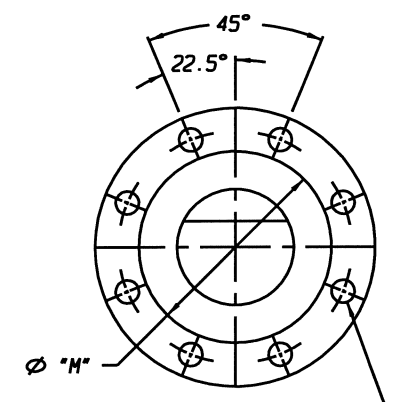
YOKE MOUNTED



**DETAIL: POSITION INDICATOR
 (OPTIONAL)**



3.00 FLANGE


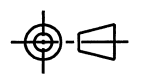


04.00 - 08.00 FLANGE

(*E*) DIA HOLES ON
 (*F*) DIA B.C.

(*E*) DIA HOLES ON
 (*F*) DIA B.C.

UNLESS OTHERWISE SPECIFIED, DIMENSIONS NOT SHOWN IN BRACKETS [] ARE IN INCHES. DIMENSIONS SHOWN IN BRACKETS [] ARE IN MILLIMETERS.

ENGRD VALVES ORDER: -	ITEM: -	THIRD ANGLE PROJECTION	DATE	BY	VALVE ASSEMBLY	 ITT <small>Engineered Valves www.engvalves.com</small>								
FIGURE NO.: -			07/16/09	DJS	STRAIGHTWAY 03.00 - 08.00									
CUSTOMER: -			07/16/09	STD	#101 THRU #250 DOUBLE ACT	<table border="1"> <tr> <td>D</td> <td>000000-000</td> <td>SHEET</td> <td>REV</td> </tr> <tr> <td></td> <td></td> <td>1 OF 2</td> <td>-</td> </tr> </table>	D	000000-000	SHEET	REV			1 OF 2	-
D	000000-000	SHEET	REV											
		1 OF 2	-											
CUSTOMER P.D.: -		ALL DIMENSIONS SHOWN ON THIS DRAWING ARE FOR REFERENCE ONLY	07/16/09	STD	PLASTIC LINED	<table border="1"> <tr> <td>MASTER DWG: 007933-1/2/B</td> <td>ECN# 12556</td> <td>ISSUED BY: -</td> <td>CERT BY: -</td> </tr> </table>	MASTER DWG: 007933-1/2/B	ECN# 12556	ISSUED BY: -	CERT BY: -				
MASTER DWG: 007933-1/2/B	ECN# 12556	ISSUED BY: -	CERT BY: -											

101 AIR MOTOR

VALVE SIZE	'A'	'B'	'C'	'D' DIA	'E' DIA	'F' DIA	'G'	'H'	'J'	'K'	'L'	'M'	QTY. BONNET CAP SCREWS STUDS/NUTS
03.00	17.81 [452.4]	12.54 [318.5]	10.25 [260.4]	7.50 [190.5]	0.75 [19.0]	6.00 [152.4]	31.43 [798.3]	26.16 [664.5]	21.64 [549.7]	35.26 [895.6]	17.12 [434.8]	5.00 [127.0]	6
04.00	18.83 [478.3]	13.56 [344.4]	12.88 [327.2]	9.00 [228.6]	0.75 [19.0]	7.50 [190.5]	32.45 [824.2]	27.18 [690.4]	22.66 [575.6]	36.28 [921.5]		6.19 [157.2]	8
06.00	22.00 [558.8]	16.73 [424.9]	16.38 [416.1]	11.00 [279.4]	0.88 [22.3]	9.50 [241.3]	35.62 [904.7]	30.35 [770.9]	25.83 [656.1]	39.45 [1002.0]		8.38 [212.9]	8

130 AIR MOTOR

VALVE SIZE	'A'	'B'	'C'	'D' DIA	'E' DIA	'F' DIA	'G'	'H'	'J'	'K'	'L'	'M'	QTY. BONNET CAP SCREWS STUDS/NUTS
03.00	17.81 [452.4]	12.35 [313.7]	10.25 [260.4]	7.50 [190.5]	0.75 [19.0]	6.00 [152.4]	31.43 [798.3]	25.96 [659.4]	21.47 [545.3]	35.09 [891.3]	19.00 [482.6]	5.00 [127.0]	6
04.00	18.83 [478.3]	13.37 [339.6]	12.88 [327.2]	9.00 [228.6]	0.75 [19.0]	7.50 [190.5]	32.45 [824.2]	26.99 [685.5]	22.49 [571.2]	36.11 [917.2]		6.19 [157.2]	8
06.00	22.00 [558.8]	16.54 [420.1]	16.38 [416.1]	11.00 [279.4]	0.88 [22.3]	9.50 [241.3]	35.62 [904.7]	30.16 [766.1]	25.66 [651.8]	39.28 [997.7]		8.38 [212.9]	8

250 AIR MOTOR

VALVE SIZE	'A'	'B'	'C'	'D' DIA	'E' DIA	'F' DIA	'G'	'H'	'J'	'K'	'L'	'M'	QTY. BONNET CAP SCREWS STUDS/NUTS
03.00	21.93 [557.0]	14.35 [364.5]	10.25 [260.4]	7.50 [190.5]	0.75 [19.0]	6.00 [152.4]	35.55 [903.0]	27.97 [710.4]	26.16 [664.5]	39.78 [1010.4]		5.00 [127.0]	6
04.00	22.95 [582.9]	15.37 [390.4]	12.88 [327.2]	9.00 [228.6]	0.75 [19.0]	7.50 [190.5]	36.57 [928.9]	28.99 [736.3]	27.18 [690.4]	40.80 [1036.3]	23.88 [606.5]	6.19 [157.2]	8
06.00	26.12 [663.4]	18.54 [470.9]	16.38 [416.1]	11.00 [279.4]	0.88 [22.3]	9.50 [241.3]	39.74 [1009.4]	32.16 [816.9]	30.35 [770.9]	43.97 [1116.8]		8.38 [212.9]	8
08.00	30.81 [782.6]	23.23 [590.0]	20.88 [530.4]	13.50 [342.9]	0.88 [22.4]	11.75 [298.4]	44.43 [1128.5]	36.85 [936.0]	35.04 [890.0]	48.66 [1236.0]		10.62 [269.7]	12



NOTE:

- △ 1. USED ONLY WITH #250 AIR MOTOR, 08.00 SIZE.
- * 2. RECOMMENDED SPARE PARTS.
- ◆ 3. SEALED BONNET ONLY.
- ⊕ 4. UNSEALED BONNET ONLY.
- 5. VALVE IS BI-DIRECTIONAL (NO FLOW ARROW).
- † 6. USED ONLY WITH #250 AIR MOTOR.

LIST OF PARTS

ITEM	DESCRIPTION	MATERIAL	QTY.
1	BODY, FLANGED PLASTIC LINED	-	1
2	DIAPHRAGM	-	1
3	BONNET, ADAPTER	-	1
4	STUDS	-	SEE CHARTS
5	NUTS	-	SEE CHARTS
6	COMPRESSOR	C.I. A-126, CL. B	1
7	PIN, SPIROL	STN. STL. TYPE 302	1
⊕ 8	FITTING, LUBE	-	AR
9	SPINDLE, VALVE	STN. STL. A-564, 630 H900	1
* 10	O-RING #238	BUNA-N	1
11	NUT, ADAPTER BUSHING	D.I.	AR
* 12	O-RING #214	BUNA-N	AR
13	COVER, LOWER	ALUMINUM	1
* 14	DIAPHRAGM, AIR MOTOR	BUNA-N	1
15	COVER, UPPER	ALUMINUM	1
16	PLATE, ACTUATOR AM 101 & 130	D.I. A-536	2
17	NUT, HEAVY HEX.	CAR. STL.	1
18	SCREW, HEX HD. CAP	CAR. STL.	24
19	NUT, HEX	CAR. STL.	24
20	SPINDLE, VALVE YOKE	STN. STL.	1
21	YOKE	D.I. A-395, GR. 60-40-18	1
22	COUPLING, HALF	STN. STL. A-351, GR. CFB	2
23	SCREW, HEX HD. CAP	CAR. STL.	2
24	NUT, HEX	CAR. STL.	2
25	SCALE, INDICATING	STN. STL.	1
26	BUSHING, ADAPTER	D.I. A-395, GR. 60-40-18	AR
27	SPINDLE, ACTUATOR	STN. STL. A-564	1
28	PLUG, PIPE	CAR. ST. A-181, GR. 1	2
29	SCREW, DRIVE TYPE U	CAR. STL. SAE GR. 2	2
⊕ 30	PLUG, VENT	STN. STL. TYPE 416	1
31	SCREW, MACHINE FILLISTER HD.	STN. STL. 18-8	1
32	MAGNET, U-181	-	1
33	RING, RETAINING	STEEL	1
* 34	O-RING #115	BUNA-N	1
35	SPACER, INDICATOR HOUSING	ALUMINUM B-211	1
* 36	O-RING #110	BUNA-N	2
37	HOUSING, INDICATOR	ALUMINUM B-26	1
38	ROD, INDICATOR	ALUMINUM B-211	1
39	TUBE, INDICATOR	PLASTIC	1
† 40	SCREW, DRIVE	CAR. STL.	2
† 41	PLATE, INDICATOR	CAR. STL.	1
† 42	WASHER, IMPACT	STEEL, AISI 4140	2
43	INSERT	-	1
44	SPACER, STOP COLLAR	CAR. STL. 12L14	1
△ 45	BUSHING, BONNET	BRZ.	1
△ 46	SCREW, SET SOC. HD.	A.S.	1
† 47	PLATE, ACTUATOR AM 250	ALUMINUM	2

UNLESS OTHERWISE SPECIFIED, DIMENSIONS NOT SHOWN IN BRACKETS [] ARE IN INCHES. DIMENSIONS SHOWN IN BRACKETS [] ARE IN MILLIMETERS.

ENGRD VALVES ORDER: -	ITEM: -	THIRD ANGLE PROJECTION	DATE	BY	VALVE ASSEMBLY STRAIGHTWAY 03.00 - 08.00 #101 THRU #250 DOUBLE ACT WITH FLANGED ENDS PLASTIC LINED	 Engineered Valves www.engvalves.com
FIGURE NO.:			07/16/09	DJS		
CUSTOMER:			07/16/09	STO		
CUSTOMER P.D.:			07/16/09	STO		
ALL DIMENSIONS SHOWN ON THIS DRAWING ARE FOR REFERENCE ONLY			APVD	07/16/09	STO	MASTER DWG: 007933-2/2/B
		ISSUED BY: -		CERT BY: -		000000-000 SHEET 2 OF 2 REV -