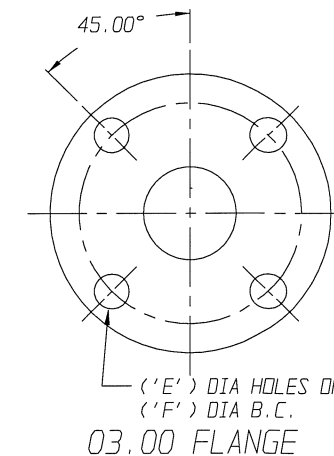


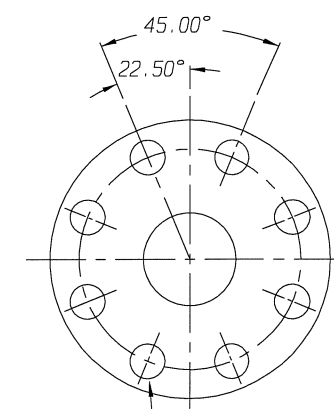
YOE MOUNTED W/ SPECIAL SPRING COMBINATION

FURNISHED

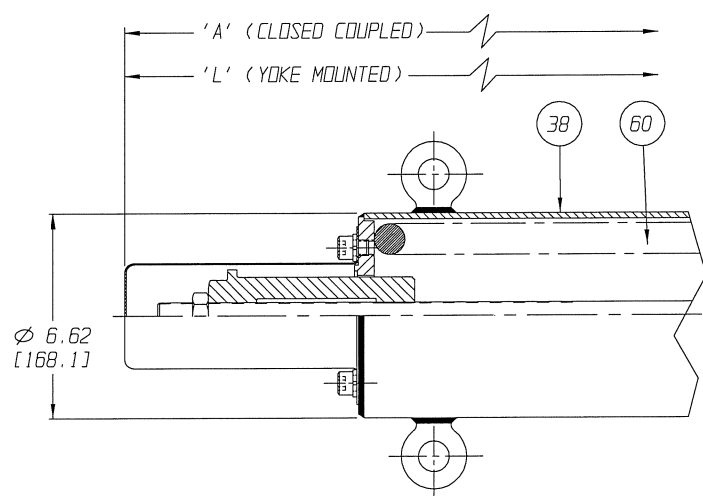
POSITION INDICATOR IS SHOWN 90° FROM TRUE POSITION



FURNISHED

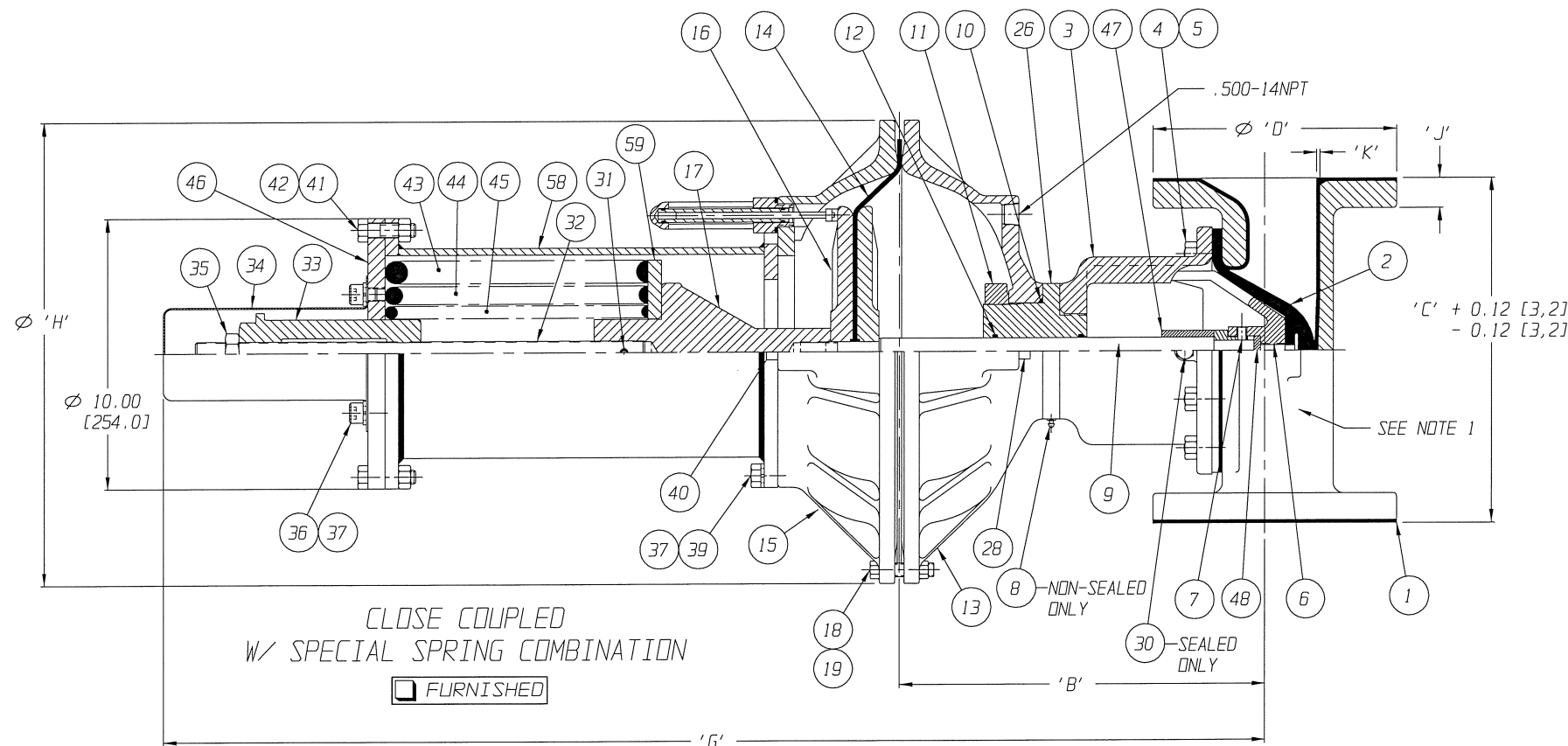


FURNISHED



#130 SPRING CASE


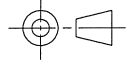
FURNISHED



CLOSE COUPLED W/ SPECIAL SPRING COMBINATION

FURNISHED

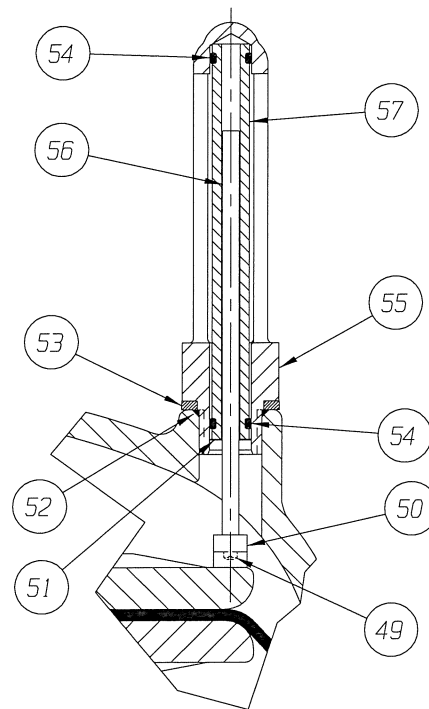
UNLESS OTHERWISE SPECIFIED, DIMENSIONS NOT SHOWN IN BRACKETS [ ] ARE IN INCHES. DIMENSIONS SHOWN IN BRACKETS [ ] ARE IN MILLIMETERS.

ENGRD VALVES ORDER: -	ITEM: -	THIRD ANGLE PROJECTION	DATE	BY	VALVE ASSEMBLY	 <b>ITT</b> Engineered Valves <a href="http://www.engvalves.com">www.engvalves.com</a>
FIGURE NO.: -			DWN 03/07/13	DJS	STRAIGHTWAY 02.50 - 06.00	
CUSTOMER: -			CHKD 03/07/13	STD	#101 THRU #130 REVERSE ACT.	
CUSTOMER P.O.: -			APVD 03/07/13	STD	WITH FLANGED ENDS	
					RUBBER LINED	000000-000
					MASTER DWG: 009005-1/2/B	1 OF 2
					ECN# 14262	ISSUED BY: -
						CERT BY: -

# 101 AIR MOTOR														
VALVE SIZE	'A'	'B'	'C'	'D' DIA	'E' DIA	'F' DIA	'G'	'H'	'J'	'K'	'L'	'M'	'N'	QTY. BONNET CAP SCREWS STUDS/NUTS
02.50	49.12 [1247,6]	12.50 [317,5]	8.75 [222,3]	7.00 [177,8]	0.75 [19,0]	5.50 [139,7]	39.55 [1004,6]	17.12 [434,8]	0.84 [21,3]	0.12 [3,0]	62.74 [1593,6]	26.12 [663,4]	53.17 [1350,5]	4
03.00	49.09 [1246,9]	12.47 [316,7]	10.25 [260,4]	7.50 [190,5]	0.75 [19,0]	6.00 [152,4]	39.52 [1003,8]		0.92 [23,4]	0.12 [3,0]	62.71 [1592,8]	26.09 [662,7]	53.14 [1349,8]	6
04.00	50.11 [1272,8]	13.49 [342,7]	12.75 [323,8]	9.00 [228,6]	0.75 [19,0]	7.50 [190,5]	40.54 [1029,7]		1.11 [28,2]	0.12 [3,0]	63.73 [1618,7]	27.11 [688,6]	54.16 [1375,7]	8
06.00	53.40 [1356,4]	16.78 [426,2]	16.38 [416,1]	11.00 [279,4]	0.88 [22,4]	9.50 [241,3]	43.83 [1113,3]		1.24 [31,5]	0.19 [4,8]	67.02 [1702,3]	30.40 [772,2]	57.45 [1459,2]	8

# 130 AIR MOTOR														
VALVE SIZE	'A'	'B'	'C'	'D' DIA	'E' DIA	'F' DIA	'G'	'H'	'J'	'K'	'L'	'M'	'N'	QTY. BONNET CAP SCREWS STUDS/NUTS
02.50	49.12 [1247,6]	12.31 [312,7]	8.75 [222,3]	7.00 [177,8]	0.75 [19,0]	5.50 [139,7]	39.55 [1004,6]	19.00 [482,6]	0.84 [21,3]	0.12 [3,0]	62.74 [1593,6]	26.12 [663,4]	53.17 [1350,5]	4
03.00	49.09 [1246,9]	12.28 [311,9]	10.25 [260,4]	7.50 [190,5]	0.75 [19,0]	6.00 [152,4]	39.52 [1003,8]		0.92 [23,4]	0.12 [3,0]	62.71 [1592,8]	26.09 [662,7]	53.14 [1349,8]	6
04.00	50.11 [1272,8]	13.30 [337,8]	12.75 [323,8]	9.00 [228,6]	0.75 [19,0]	7.50 [190,5]	40.54 [1029,7]		1.11 [28,2]	0.12 [3,0]	63.73 [1618,7]	27.11 [688,6]	54.16 [1375,7]	8
06.00	53.40 [1356,4]	16.59 [421,4]	16.38 [416,1]	11.00 [279,4]	0.88 [22,4]	9.50 [241,3]	43.83 [1113,3]		1.24 [31,5]	0.19 [4,8]	67.02 [1702,3]	30.40 [772,2]	57.45 [1459,2]	8

- NOTE:
1. VALVE IS BI-DIRECTIONAL (NO FLOW ARROW).
  2. SPRING #130 CANNOT BE PURCHASED SEPARATELY, AS IT IS INCLUDED IN CASE ASSY ITEM 38.
  3. RECOMMENDED SPARE PARTS.


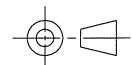


DETAIL: POSITION INDICATOR (OPTIONAL)

FURNISHED

LIST OF PARTS			
ITEM	DESCRIPTION	MATERIAL	QTY.
1	BODY, FLANGED RUBBER LINED	-	1
* 2	DIAPHRAGM	-	1
3	BONNET, ADAPTER	-	1
4	HEX, CAP SCREWS OR STUDS	-	SEE CHARTS
5	NUTS	-	SEE CHARTS
6	COMPRESSOR	C.I. A-126	1
7	PIN, SPIROL	STN. STL. TYPE 302	1
8	FITTING, LUBE	-	AR
9	SPINDLE, VALVE	STN. STL. A-564 630 H900	1
* 10	O-RING #238	BUNA-N	1
11	NUT, ADAPTER BUSHING	D.I.	AR
* 12	O-RING #214	BUNA-N	AR
13	COVER, LOWER	ALUMINUM	1
* 14	DIAPHRAGM, AIR MOTOR	BUNA-N	1
15	COVER, UPPER	ALUMINUM	1
16	PLATE, ACTUATOR	D.I. A-536	2
17	CONNECTOR, SPINDLE	D.I. A-395 GR. 60-40-18	1
18	SCREW, HEX HD. CAP	CAR. STL.	24
19	NUT, HEX	CAR. STL.	24
20	SPINDLE, VALVE YOKE	STN. STL.	1
21	YOKE	D.I. A-395, GR. 60-40-18	1
22	COUPLING, PAIR	STN. STL. A-351, GR. CF8	1
23	SCREW, HEX HD. CAP	CAR. STL.	4
24	NUT, HEX	CAR. STL.	4
25	SCALE, INDICATING	STN. STL.	1
26	BUSHING, ADAPTER	-	AR
27	SPINDLE, ACTUATOR	STN. STL. A-564 630	1
28	PLUG, PIPE	CAR. STL. A-181, GR. 1	1
29	SCREW, DRIVE TYPE U	CAR. STL. SAE GR. 2	2
30	PLUG, VENT	STN. STL. TYPE 416	1
31	PIN, SPIROL	STN. STL. TYPE 302	1
32	EXTENSION, SPINDLE	CAR. STL. A-108	1
33	BUSHING, ADJUSTING	D.I.	1
34	SHIELD, TRAVEL STOP	CAR. STL.	1
35	NUT, HEX. JAM	CAR. STL.	1
36	SCREW, HEX. SOC. HD. CAP	CAR. STL.	2
37	WASHER, SPRING LOCK	CAR. STL.	10
38	ASSEMBLY, SPRING CASING #130	CAR. STL.	1
39	SCREW, HEX. HD. CAP	CAR. STL.	8
40	PLUG, PIPE	PLASTIC	1
41	SCREW, HEX. HD. CAP	CAR. STL.	8
42	NUT, HEX.	CAR. STL.	8
43	SPRING, #98	CAR. STL. A-689	1
44	SPRING, #96	CAR. STL. A-689	1
45	SPRING, #97	CAR. STL. A-689	1
46	COVER, SPRING CASE	CAR. STL.	1
47	SPACER, STOP COLLAR	CAR. STL.	1
48	INSERT	CAR. STL.	1
49	SCREW, MACHINE FILLISTER HD.	STN. STL. 18-8	1
50	MAGNET, U-181	-	1
51	RING, RETAINING	STEEL	1
* 52	O-RING #115	BUNA-N	1
53	SPACER, INDICATOR HOUSING	ALUMINUM B-211	1
* 54	O-RING #110	BUNA-N	2
55	HOUSING, INDICATOR	ALUMINUM B-26	1
56	ROD, INDICATOR	ALUMINUM B-211	1
57	TUBE, INDICATOR	PLASTIC	1
58	SPRING CASE, SPECIAL SPRING COMBO	CAR. STL.	2
59	PLATE, SPRING SUPPORT	CAR. STL. A-36	1
Δ 60	SPRING, #130	CAR. STL. A-689	1

UNLESS OTHERWISE SPECIFIED, DIMENSIONS NOT SHOWN IN BRACKETS [ ] ARE IN INCHES. DIMENSIONS SHOWN IN BRACKETS [ ] ARE IN MILLIMETERS.

ENGRD VALVES ORDER: -	ITEM: -	THIRD ANGLE PROJECTION	DATE	BY	VALVE ASSEMBLY STRAIGHTWAY 02.50 - 06.00 #101 THRU #130 REVERSE ACT. WITH FLANGED ENDS RUBBER LINED	 <b>ITT</b> Engineered Valves <a href="http://www.engvalves.com">www.engvalves.com</a>
FIGURE NO.: -			DWN 03/07/13	DJS		
CUSTOMER: -			CHKD 03/07/13	STD		000000-000 SHEET 2 OF 2 REV -
CUSTOMER P.O.: -		ALL DIMENSIONS SHOWN ON THIS DRAWING ARE FOR REFERENCE ONLY	APVD 03/07/13	STD	MASTER DWG: 009005-2/2/B ECN# 14262	
					ISSUED BY: -	CERT BY: -