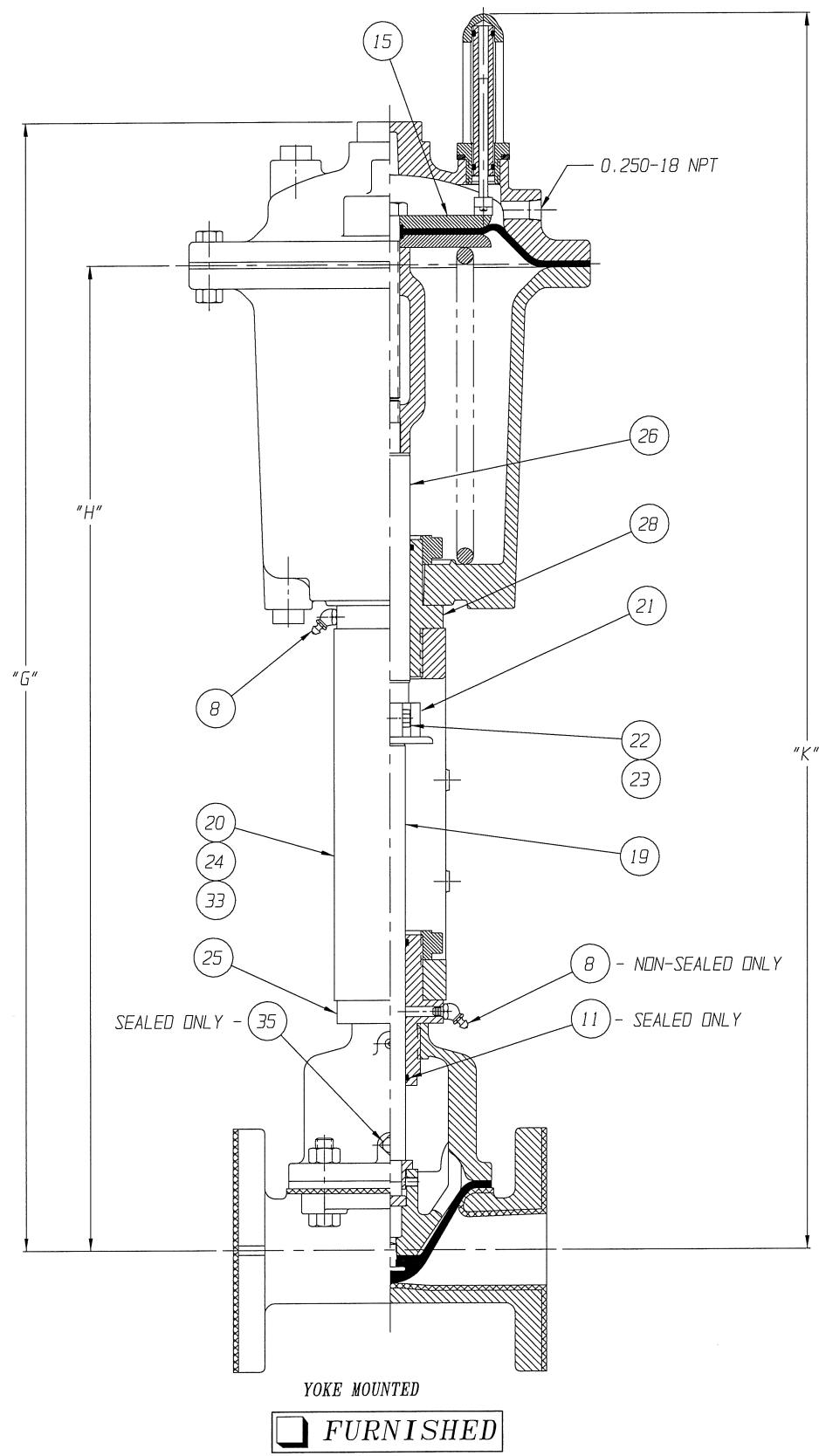
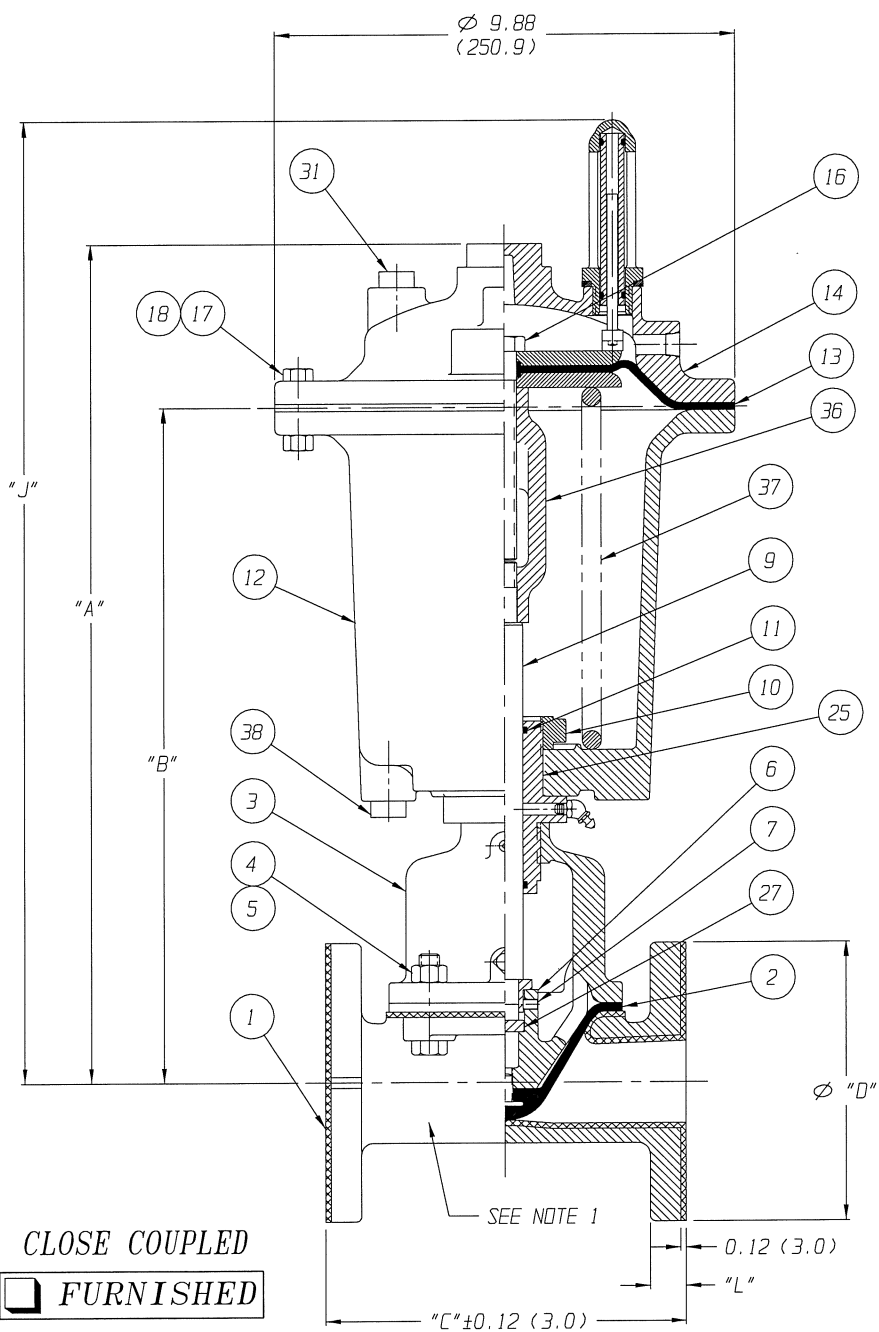
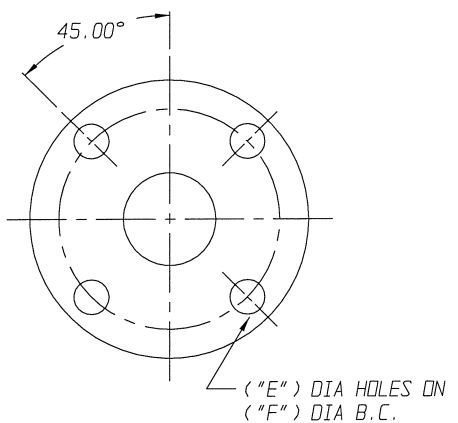


POSITION INDICATOR IS SHOWN 180° FROM TRUE POSITION



NOTES:
1. VALVE IS BI-DIRECTIONAL (NO FLOW ARROW).



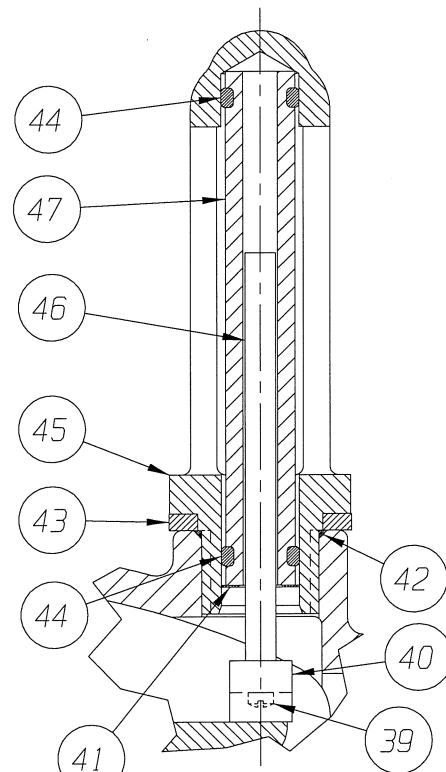
01.00 - 02.00 FLANGE
 FURNISHED

ENGRD VALVES ORDER: _____ ITEM: _____
SHEET _____ OF _____
FIGURE NO.: _____
CUSTOMER: _____
CUSTOMER P.O.: _____
ISSUED BY: _____ CERTIFIED BY: _____

THIRD ANGLE PROJECTION 	DATE	BY	VALVE ASSEMBLY STRAIGHTWAY 01.00 THRU 02.00 #25 DIRECT ACTUATOR WITH FLANGED ENDS RUBBER LINED	ITT Industries Engineered Valves Group Lancaster, PA USA	
	DWN 3/21/05	JLW			
	CHKD 3/29/05	STD			
ECN# 9654	UNLESS OTHERWISE SPECIFIED, ALL DIMENSIONS ARE IN INCHES	APVD 3/29/05	STD	CS D 009020 SHEET 1 OF 2	REV -

VALVE SIZE	'A'	'B'	'C'	'D' DIA	'E' DIA	'F' DIA	'G'	'H'	'J'	'K'	'L'	QTY. BONNET CAP SCREWS, STUDS/NUTS
01.00	16.14 (410.0)	12.62 (320.5)	5.75 (146.1)	4.25 (107.9)	0.62 (15.7)	3.12 (79.2)	26.71 (678.4)	23.19 (589.0)	18.79 (477.3)	29.36 (745.7)	0.59 (15.0)	4
01.50	16.98 (431.3)	13.46 (341.9)	6.75 (171.4)	5.00 (127.0)	0.62 (15.7)	3.88 (98.6)	27.55 (699.8)	24.03 (610.4)	19.63 (498.6)	30.20 (767.1)	0.71 (18.0)	4
02.00	18.01 (457.5)	14.49 (368.0)	7.75 (196.9)	6.00 (152.4)	0.75 (19.1)	4.75 (120.7)	28.58 (725.9)	25.06 (636.5)	20.66 (524.8)	31.23 (793.2)	0.78 (19.8)	4

DIMENSIONS SHOWN IN () PARENTHESES ARE MILLIMETERS.



DETAIL
POSITION INDICATOR
(OPTIONAL)

FURNISHED

LIST OF PARTS			
ITEM	DESCRIPTION	MATERIAL	QTY.
1	BODY, FLANGED RUBBER LINED	-	1
* 2	DIAPHRAGM	-	1
3	BONNET, ADAPTER	-	1
4	HEX, CAP SCREWS OR STUDS	-	SEE CHART
5	NUTS	-	SEE CHART
6	COMPRESSOR	-	1
7	PIN, SPIROL	STN. STL. TYPE 302	1
8	FITTING, LUBE K-14-65N	-	AR
9	SPINDLE, VALVE	STN. STL. A-582, TYPE 303	1
10	NUT, ADAPTER BUSHING	M.I. A-47, GR. 32510	AR
* 11	O-RING #116	BUINA-N	AR
12	COVER, LOWER	ALUMINUM	1
* 13	DIAPHRAGM, AIR MOTOR	BUINA-N	1
14	COVER, UPPER	ALUMINUM	1
15	PLATE, ACTUATOR	C.I. A-126, CL. B	2
16	SCREW, HEX. HD. CAP	CAR. STL.	1
17	SCREW, HEX HD. CAP	CAR. STL.	9
18	NUT, HEX	CAR. STL.	9
19	SPINDLE, VALVE YOKE	STN. STL. A-582, TYPE 303	1
20	YOKE	D.I. A-395, GR. 60-40-18	1
21	COUPLING, HALF	STN. STL. A-351, GR. CF8	2
22	SCREW, HEX HD. CAP	CAR. STL.	2
23	NUT, HEX	CAR. STL.	2
24	SCALE, INDICATING	STN. STL.	1
25	BUSHING, ADAPTER	CAR. STL. A-108, GR. 12L14	1
26	SPINDLE, ACTUATOR	STN. STL. A-582, TYPE 302	1
27	INSERT	A108 12L14	1
28	BUSHING, ADAPTER F/ YOKE	CAR. STL. A-108, GR 12L14	1
29	-	-	-
30	-	-	-
31	PLUG, PIPE	CAR. STL. A-181, GR. 1	2
32	-	-	-
33	-	-	-
34	-	-	-
35	PLUG, VENT	STN. STL. TYPE 304	1
36	SPINDLE, HEAD	D.I. ASTM A395 GR.60-40-18	1
37	SPRING NO. 103	STEEL ASTM A227	1
38	PLUG, PIPE	PLASTIC	1
39	SCREW, MACHINE FILLISTER HD.	STN. STL. 18-8	1
40	MAGNET, CRUCIBLE U-181	-	1
41	RING, RETAINING	STEEL	1
* 42	O-RING #115	BUINA-N	1
43	SPACER, INDICATOR HOUSING	ALUMINUM B-211	1
* 44	O-RING #110	BUINA-N	2
45	HOUSING, INDICATOR	ALUMINUM B-26	1
46	ROD, INDICATOR	ALUMINUM B-211	1
47	TUBE, INDICATOR	PLASTIC	1

* RECOMMENDED SPARE PARTS

ENGRD VALVES ORDER: - ITEM: -
 SHEET - OF -
 FIGURE NO.: -
 CUSTOMER: -
 CUSTOMER P.O.: -
 ISSUED BY: CERTIFIED BY:

ECN# 9654

THIRD ANGLE PROJECTION	DATE	BY	VALVE ASSEMBLY STRAIGHTWAY 01.00 THRU 02.00 #25 DIRECT ACTUATOR WITH FLANGED ENDS RUBBER LINED	ITT Industries
	DWN 3/21/05	JLW	UNLESS OTHERWISE SPECIFIED, ALL DIMENSIONS ARE IN INCHES	Engineered Valves Group Lancaster, PA USA
	CHKD 3/29/05	STD		
	APVD 3/29/05	STD		
			CS D	009020 SHEET 2 OF 2
				REV -