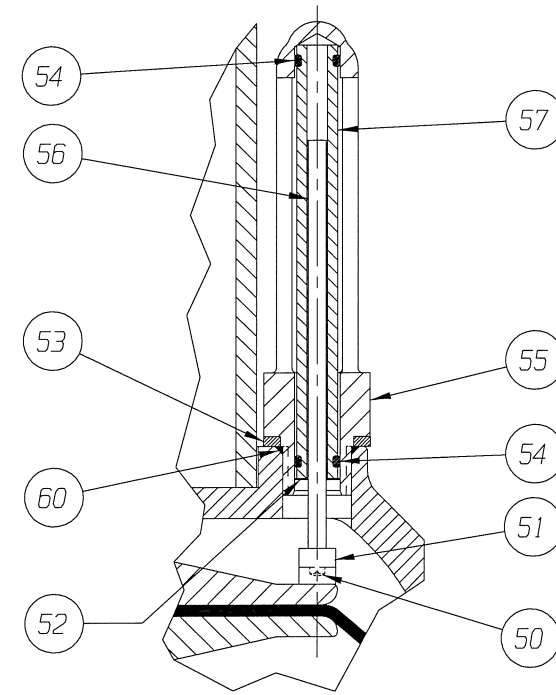
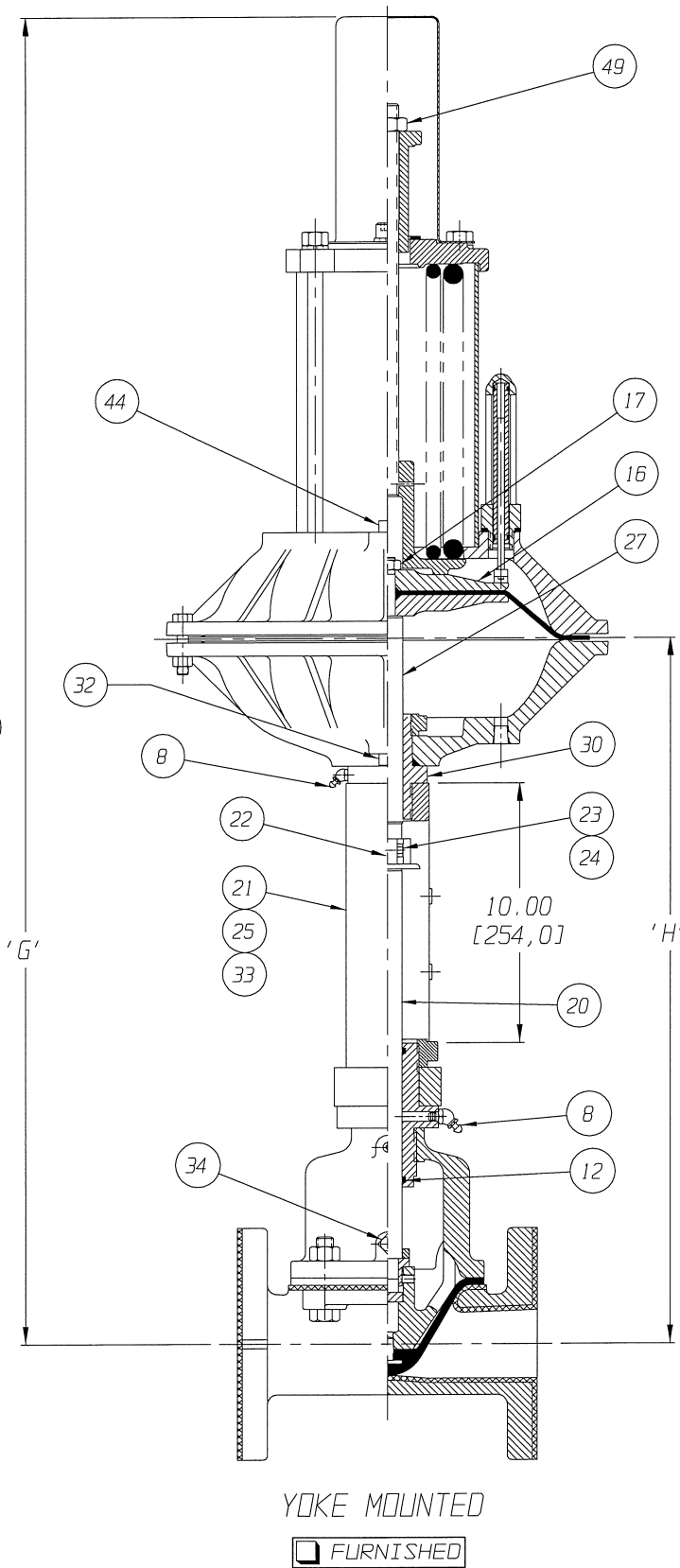
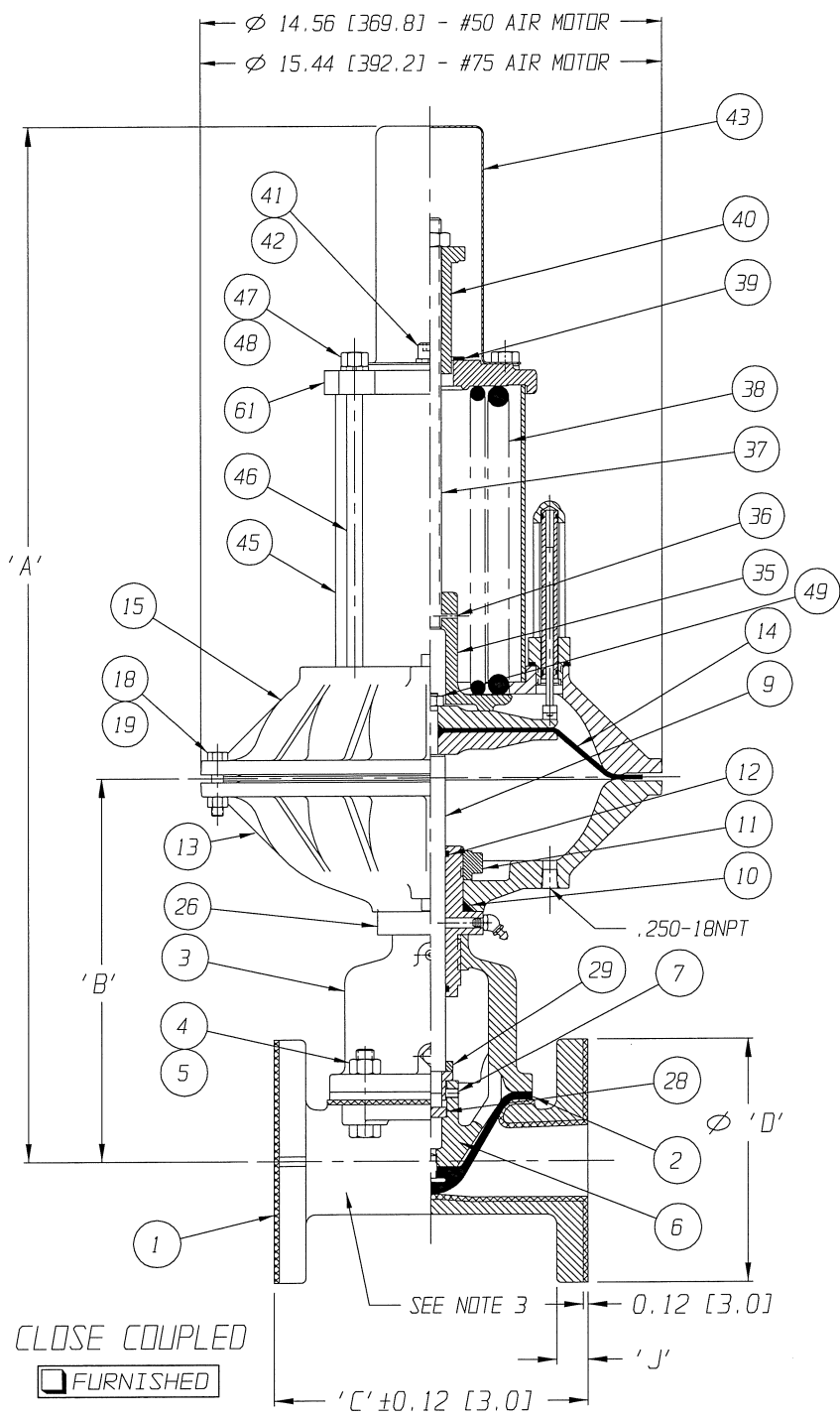
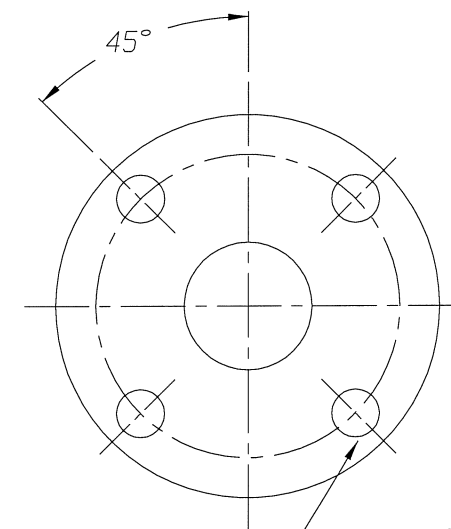
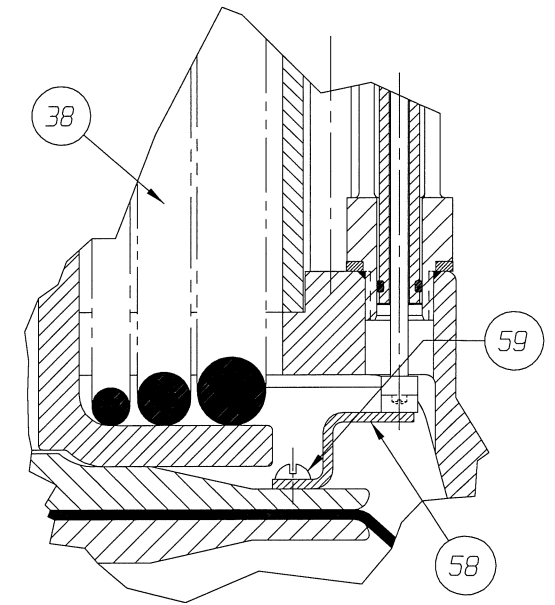


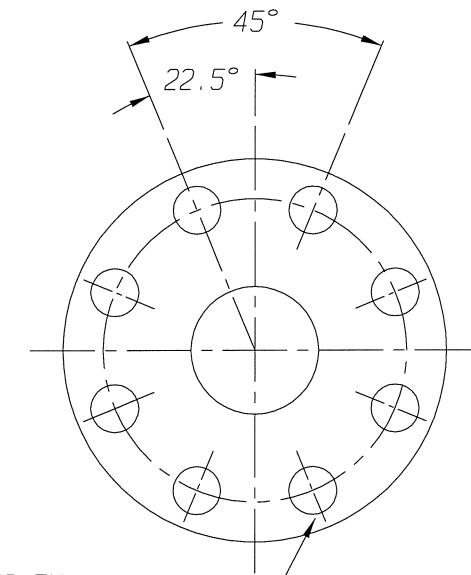
POSITION INDICATOR IS SHOWN 90° FROM TRUE POSITION



DETAIL: POSITION INDICATOR # 75 (OPTIONAL)



("E") DIA HOLES ON ("F") DIA B.C.



("E") DIA HOLES ON ("F") DIA B.C.

UNLESS OTHERWISE SPECIFIED, DIMENSIONS NOT SHOWN IN BRACKETS [] ARE IN INCHES. DIMENSIONS SHOWN IN BRACKETS [] ARE IN MILLIMETERS.

ENGRD VALVES ORDER: -	ITEM: -	THIRD ANGLE PROJECTION	DATE	BY	VALVE ASSEMBLY	 Engineered Valves www.engvalves.com
FIGURE NO.: -			DWN 3/21/05	JLW	ST-WAY 01.00 THRU 04.00	
CUSTOMER: -			CHKD 3/29/05	STD	#50 & #75 REVERSE ACTUATOR	
CUSTOMER P.D.: -			APVD 3/29/05	STD	WITH FLANGED ENDS RUBBER LINED	
ALL DIMENSIONS SHOWN ON THIS DRAWING ARE FOR REFERENCE ONLY			MASTER DWG: 009021-1/2/-	ECN# 9654	ISSUED BY: -	SHEET 1 OF 2 REV -

# 50 AIR MOTOR (STD.)											
VALVE SIZE	'A'	'B'	'C'	'D' DIA	'E' DIA	'F' DIA	'G'	'H'	'J'	QTY. BONNET CAP SCREWS STUDS/NUTS	O-RING ITEM 12
01.00	25.64 [651.3]	8.45 [214.6]	5.75 [146.1]	4.25 [107.9]	0.62 [15.7]	3.12 [79.2]	36.21 [919.7]	19.02 [483.1]	0.59 [15.0]	4	116

# 50 AIR MOTOR (LARGE)											
VALVE SIZE	'A'	'B'	'C'	'D' DIA	'E' DIA	'F' DIA	'G'	'H'	'J'	QTY. BONNET CAP SCREWS STUDS/NUTS	O-RING ITEM 12
01.00	29.02 [737.1]	8.45 [214.6]	5.75 [146.1]	4.25 [107.9]	0.62 [15.7]	3.12 [79.2]	39.59 [1005.6]	19.02 [483.1]	0.59 [15.0]	4	116
01.50	29.86 [758.4]	9.29 [236.0]	6.75 [171.4]	5.00 [127.0]	0.62 [15.7]	3.88 [98.6]	40.43 [1026.9]	19.86 [504.4]	0.71 [18.0]	4	116
02.00	30.89 [784.6]	10.32 [262.1]	7.75 [196.9]	6.00 [152.4]	0.75 [19.1]	4.75 [120.7]	41.46 [1053.1]	20.89 [530.7]	0.78 [19.8]	4	116
02.50	32.07 [814.6]	11.50 [292.1]	8.75 [222.2]	7.00 [177.8]	0.75 [19.1]	5.50 [139.7]	42.64 [1083.1]	22.07 [560.6]	0.84 [21.3]	4	214
03.00	31.89 [810.0]	11.32 [287.5]	10.25 [260.3]	7.50 [190.5]	0.75 [19.1]	6.00 [152.4]	42.46 [1078.5]	21.89 [556.0]	0.92 [23.4]	6	214

# 75 AIR MOTOR											
VALVE SIZE	'A'	'B'	'C'	'D' DIA	'E' DIA	'F' DIA	'G'	'H'	'J'	QTY. BONNET CAP SCREWS STUDS/NUTS	O-RING ITEM 12
02.50	31.92 [810.8]	11.50 [292.1]	8.75 [222.2]	7.00 [177.8]	0.75 [19.1]	5.50 [139.7]	42.49 [1079.2]	22.07 [560.6]	0.84 [21.3]	4	214
03.00	31.74 [806.2]	11.32 [287.5]	10.25 [260.3]	7.50 [190.5]	0.75 [19.1]	6.00 [152.4]	42.31 [1074.7]	21.89 [556.0]	0.92 [23.4]	6	214
04.00	33.22 [843.8]	12.80 [325.1]	12.75 [323.9]	9.00 [228.6]	0.75 [19.1]	7.50 [190.5]	43.79 [1112.3]	23.37 [593.6]	1.11 [28.2]	8	214

NOTES:


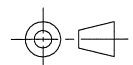
- ▲ 1. ITEM 29 USED ONLY WITH 4" VALVE.
- ⊛ 2. QUANTITY OF ITEMS 46, 47 & 48 ARE AS FOLLOWS:
(4) FOR #50 REVERSE ACTUATOR
(8) FOR #75 REVERSE ACTUATOR
- 3. VALVE IS BI-DIRECTIONAL (NO FLOW ARROW).

SPRING CHART (ITEM 38)	
AM.	TYPE
#50 (STD)	#101
	#102A
#50 (LARGE)	#96
	#97
#75	#96
	#97
	#98

LIST OF PARTS			
ITEM	DESCRIPTION	MATERIAL	QTY.
1	BODY, FLANGED RUBBER LINED	-	1
2	DIAPHRAGM	-	1
3	BONNET, ADAPTER	-	1
4	HEX, CAP SCREWS OR STUDS	-	SEE CHARTS
5	NUTS	-	SEE CHARTS
6	COMPRESSOR	-	1
7	PIN, SPIROL	STN. STL. TYPE 302	1
8	FITTING, LUBE	-	AR
9	SPINDLE, VALVE	STN. STL. A-582, TYPE 303	1
10	O-RING #326	BUNA-N	1
11	NUT, ADAPTER BUSHING	M.I. A-47, GR. 32510	AR
12	O-RING 'SEE CHART'	BUNA-N	AR
13	COVER, LOWER	ALUMINUM	1
14	DIAPHRAGM, AIR MOTOR	BUNA-N	1
15	COVER, UPPER	ALUMINUM	1
16	PLATE, ACTUATOR	C.I. A-126, CL. B	2
17	NUT, HEX JAM	CAR. STL.	1
18	SCREW, HEX HD. CAP	CAR. STL.	16
19	NUT, HEX	CAR. STL.	16
20	SPINDLE, VALVE YOKE	STN. STL. A-582, TYPE 303	1
21	YOKE	D.I. A-395, GR. 60-40-18	1
22	COUPLING, HALF	STN. STL. A-351, GR. CFB	2
23	SCREW, HEX HD. CAP	CAR. STL.	2
24	NUT, HEX	CAR. STL.	2
25	SCALE, INDICATING	STN. STL.	1
26	BUSHING, ADAPTER	-	1
27	SPINDLE, ACTUATOR	STN. STL. A-582, TYPE 302	1
28	INSERT	CS ASTM A108	1
29	SPACER	CS ASTM A108	1
30	BSHG, ADAPTER YOKE	-	1
31	-	-	-
32	PLUG, PIPE	PLASTIC	1
33	SCREW, DRIVE TYPE U	CAR. STL. SAE GR. 2	2
34	PLUG, VENT	STN. STL. TYPE 416	1
35	SEAT, SPRING	C.I. ASTM A126 CL. B	1
36	PIN, SPIROL (SPRING SEAT)	STN. STL. AISI 302	1
37	ROD, SPRING	CAR. STL. ASTM A108	1
38	SPRING 'SEE CHART'	STEEL ASTM A229	AR
39	WASHER, THRUST	CAR. STL. AISI 1010	1
40	BUSHING, ADJUSTING	D.I. ASTM A395 GR.60-40-18	1
41	SCREW, HEX. SOC. HD. CAP	CAR. STL.	2
42	WASHER, SPRINGLOCK	CAR. STL.	2
43	SHIELD, TRAVEL STOP	CAR. STL.	1
44	PLUG, PIPE	CAR. STL. A-181, GR. 1	2
45	HOUSING, SPRING	C. STEEL, A-513	1
46	COLUMN	C.STL., A-108, GR.12L14	AR
47	NUT, HEX	STEEL	AR
48	WASHER, SPRINGLOCK	STEEL	AR
49	NUT, HEX. JAM	CAR. STL. SAE GR. 2	1
50	SCREW, MACHINE FILLISTER HD.	STN. STL. 18-8	1
51	MAGNET, CRUCIBLE U-181	-	1
52	RING, RETAINING	STEEL	1
53	SPACER, INDICATOR HOUSING	ALUMINUM B-211	1
54	O-RING #110	BUNA-N	2
55	HOUSING, INDICATOR	ALUMINUM B-26	1
56	ROD, INDICATOR	ALUMINUM B-211	1
57	TUBE, INDICATOR	PLASTIC	1
58	PLATE, EXTENSION INDICATOR	STEEL	1
59	SCREW, MACH. RD. HD.	STEEL	2
60	O-RING #115	BUNA-N	1
61	COVER, SPRING	C.I. A126, CL.C	1

* RECOMMENDED SPARE PARTS

UNLESS OTHERWISE SPECIFIED, DIMENSIONS NOT SHOWN IN BRACKETS [] ARE IN INCHES. DIMENSIONS SHOWN IN BRACKETS [] ARE IN MILLIMETERS.

ENGRD VALVES ORDER: -	ITEM: -	THIRD ANGLE PROJECTION	DATE	BY	VALVE ASSEMBLY ST-WAY 01.00 THRU 04.00 #50 & #75 REVERSE ACTUATOR WITH FLANGED ENDS RUBBER LINED	 ITT Engineered Valves www.engvalves.com
FIGURE NO.: -			DWN 3/21/05	JLW		
CUSTOMER: -			CHKD 3/29/05	STD		D 000000-000 SHEET 2 OF 2 REV - MASTER DWG: 009021-2/2/- ECN# 9654 ISSUED BY: - CERT BY: -
CUSTOMER P.O.: -		ALL DIMENSIONS SHOWN ON THIS DRAWING ARE FOR REFERENCE ONLY	APVD 3/29/05	STD		