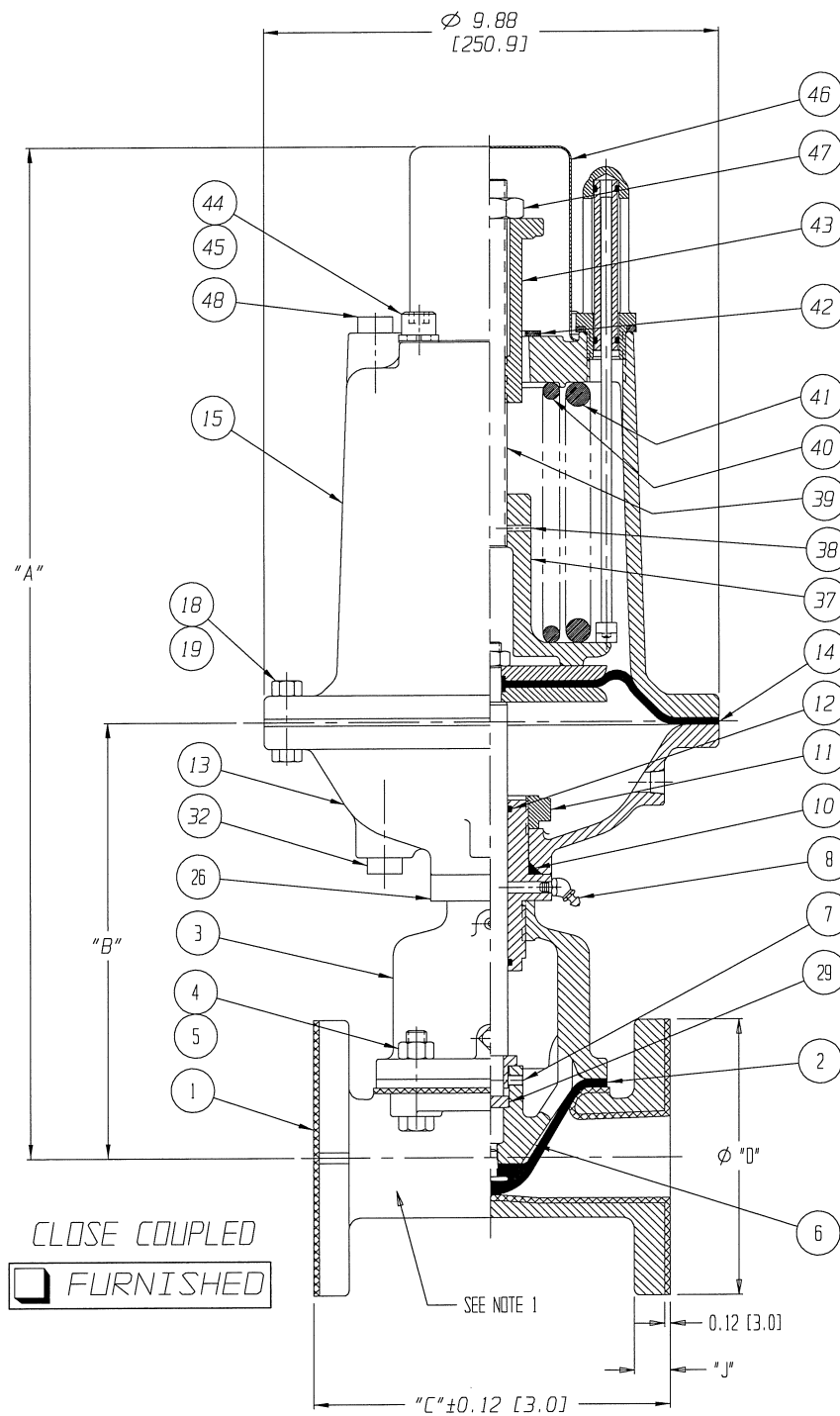
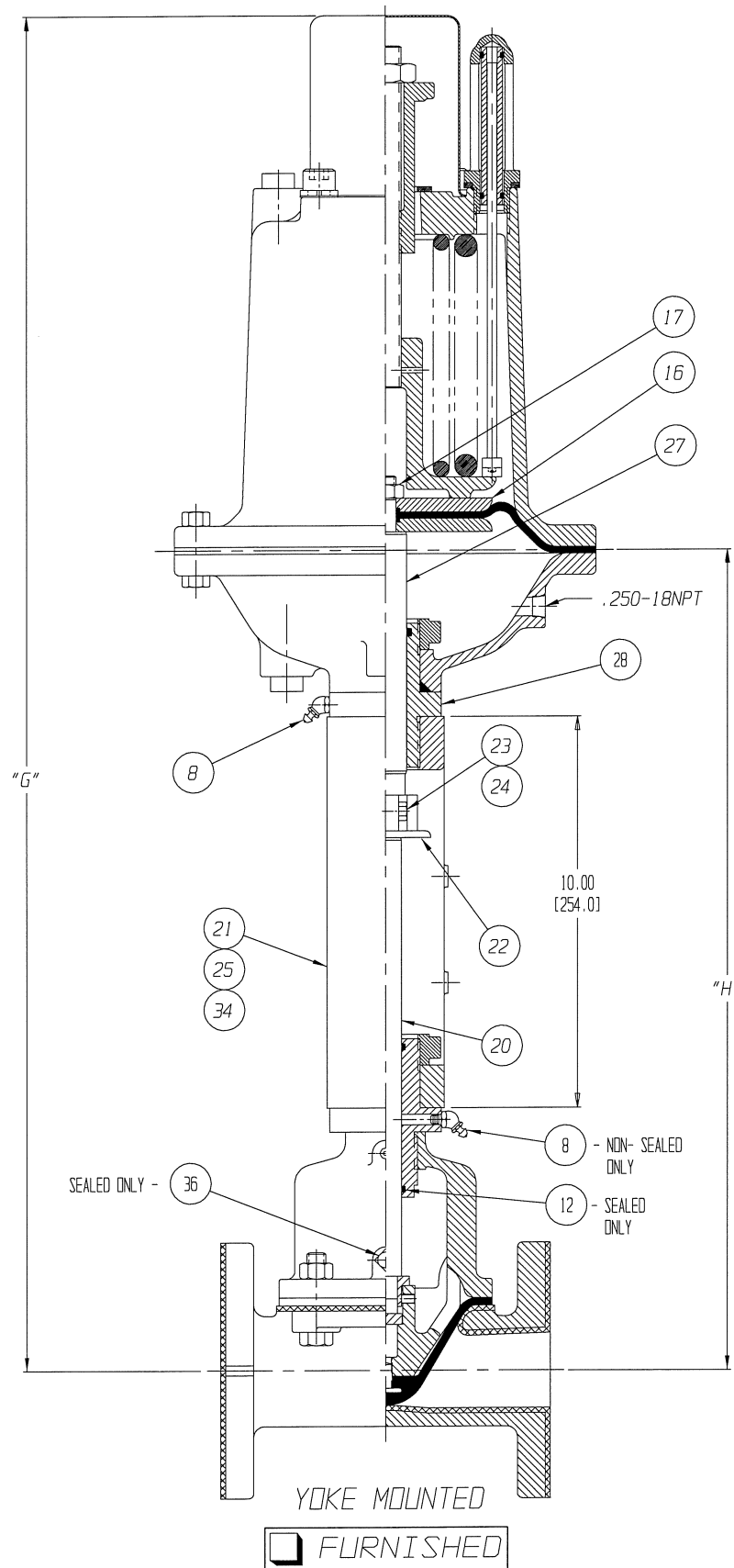


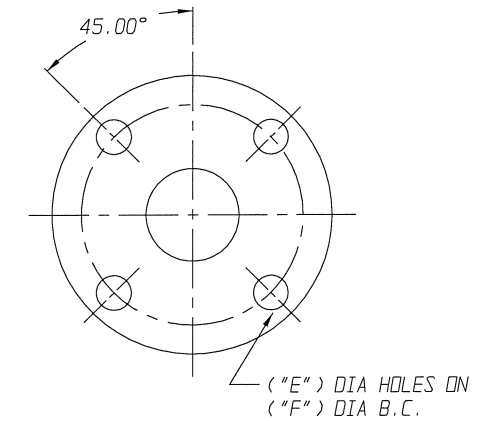
POSITION INDICATOR IS SHOWN 90° FROM TRUE POSITION



CLOSE COUPLED
 FURNISHED




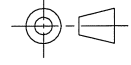
YOKE MOUNTED
 FURNISHED



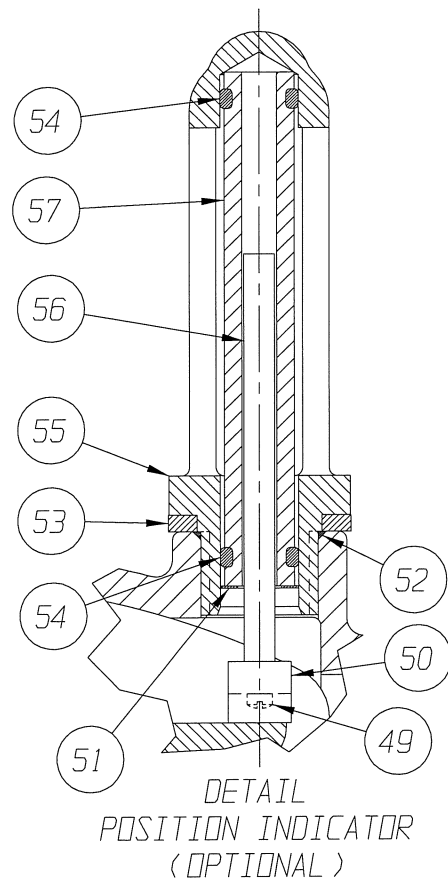
01.00 - 01.50 FLANGE

FURNISHED

UNLESS OTHERWISE SPECIFIED, DIMENSIONS NOT SHOWN IN BRACKETS [] ARE IN INCHES. DIMENSIONS SHOWN IN BRACKETS [] ARE IN MILLIMETERS.

ENGRD VALVES ORDER: -	ITEM: -	THIRD ANGLE PROJECTION	DATE	BY	VALVE ASSEMBLY	 ITT Engineered Valves www.engvalves.com
FIGURE NO.: -			DWN 3/21/05	JLW	STRAIGHTWAY 01.00 & 01.50	
CUSTOMER: -			CHKD 3/29/05	STD	#25 REVERSE ACTUATOR	000000-000 SHEET 1 OF 2 REV -
CUSTOMER P.O.: -			APVD 3/29/05	STD	WITH FLANGED ENDS RUBBER LINED	
		ALL DIMENSIONS SHOWN ON THIS DRAWING ARE FOR REFERENCE ONLY	APVD 3/29/05	STD	MASTER DWG: 009022-1/2/-	ISSUED BY: -
					ECN# 9654	CERT BY: -

VALVE SIZE	'A'	'B'	'C'	'D' DIA	'E' DIA	'F' DIA	'G'	'H'	'J'
01.00	20.08 [510.0]	7.56 [192.0]	5.75 [146.1]	4.25 [107.9]	0.62 [15.7]	3.12 [79.2]	30.65 [778.5]	18.13 [460.5]	0.59 [15.0]
01.50	20.92 [531.4]	8.40 [213.4]	6.75 [171.4]	5.00 [127.0]	0.62 [15.7]	3.88 [98.6]	31.49 [799.9]	18.97 [481.8]	0.71 [18.0]



LIST OF PARTS			
ITEM	DESCRIPTION	MATERIAL	QTY.
1	BODY, FLANGED RUBBER LINED	-	1
* 2	DIAPHRAGM, ELASTOMER	-	1
3	BONNET, ADAPTER	-	1
4	HEX, CAP SCREWS OR STUDS	-	4
5	NUTS	-	4
6	COMPRESSOR	-	1
7	PIN, SPIROL	STN. STL. TYPE 302	1
8	FITTING, LUBE K-14-65N	-	AR
9	SPINDLE, VALVE	STN. STL. A-582, TYPE 303	1
* 10	O-RING #326	BUNA-N	1
11	NUT, ADAPTER BUSHING	M.I. A-47, GR. 32510	AR
* 12	O-RING #116	BUNA-N	AR
13	COVER, LOWER	ALUMINUM	1
* 14	DIAPHRAGM, AIR MOTOR	BUNA-N	1
15	COVER, UPPER	ALUMINUM	1
16	PLATE, ACTUATOR	C.I. A-126, CL. B	2
17	NUT, HEX JAM	CAR. STL.	1
18	SCREW, HEX HD. CAP	CAR. STL.	9
19	NUT, HEX	CAR. STL.	9
20	SPINDLE, VALVE YOKE	STN. STL. A-582, TYPE 303	1
21	YOKE	D.I. A-395, GR. 60-40-18	1
22	COUPLING, HALF	STN. STL. A-351, GR. CFB	2
23	SCREW, HEX HD. CAP	CAR. STL.	2
24	NUT, HEX	CAR. STL.	2
25	SCALE, INDICATING	STN. STL.	1
26	BUSHING, ADAPTER	CAR. STL. A-108, GR. 12L14	1
27	SPINDLE, ACTUATOR	STN. STL. A-582, TYPE 302	1
28	BUSHING, ADAPTER F/ YOKE	CS A108 GR12L14	1
29	INSERT	CS A108 GR 12L14	1
30	-	-	-
31	-	-	-
32	PLUG, PIPE	CAR. STL. A-181, GR. 1	1
33	-	-	-
34	-	-	-
35	-	-	-
36	PLUG, VENT	STN. STL. TYPE 304	1
37	SEAT, SPRING	C.I. ASTM A126 CL. B	1
38	PIN, SPIROL (SPRING SEAT)	STN. STL. AISI 302	1
39	ROD, SPRING	CAR. STL. ASTM A108	1
40	SPRING NO. 102A	STEEL ASTM A229	1
41	SPRING NO. 101	STEEL ASTM A689	1
42	WASHER, THRUST	CAR. STL. AISI 1010	1
43	BUSHING, ADJUSTING	D.I. ASTM A395 GR.60-40-18	1
44	SCREW, HEX. SOC. HD. CAP	CAR. STL.	2
45	WASHER, SPRINGLOCK	CAR. STL.	2
46	SHIELD, TRAVEL STOP	CAR. STL.	1
47	NUT, HEX. JAM	CAR. STL. SAE GR. 2	1
48	PLUG, PIPE	PLASTIC	2
49	SCREW, MACHINE FILLISTER HD.	STN. STL. 18-8	1
50	MAGNET, CRUCIBLE U-181	-	1
* 51	RING, RETAINING	STEEL	1
52	O-RING #115	BUNA-N	1
* 53	SPACER, INDICATOR HOUSING	ALUMINUM B-211	1
54	O-RING #110	BUNA-N	2
55	HOUSING, INDICATOR	ALUMINUM B-26	1
56	ROD, INDICATOR	ALUMINUM B-211	1
57	TUBE, INDICATOR	PLASTIC	1

* RECOMMENDED SPARE PARTS

UNLESS OTHERWISE SPECIFIED, DIMENSIONS NOT SHOWN IN BRACKETS [] ARE IN INCHES. DIMENSIONS SHOWN IN BRACKETS [] ARE IN MILLIMETERS.

ENGRD VALVES ORDER: -	ITEM: -	THIRD ANGLE PROJECTION	DATE	BY	VALVE ASSEMBLY STRAIGHTWAY 01.00 & 01.50 #25 REVERSE ACTUATOR WITH FLANGED ENDS RUBBER LINED	 ITT Engineered Valves www.engvalves.com
FIGURE NO.: -			DOWN 3/21/05	JLW		
CUSTOMER: -			CHKD 3/29/05	STD		D 000000-000 SHEET 2 OF 2 REV - ISSUED BY: - CERT BY: -
CUSTOMER P.O.: -		ALL DIMENSIONS SHOWN ON THIS DRAWING ARE FOR REFERENCE ONLY	APVD 3/29/05	STD	MASTER DWG: 009022-2/2/- ECN# 9654	