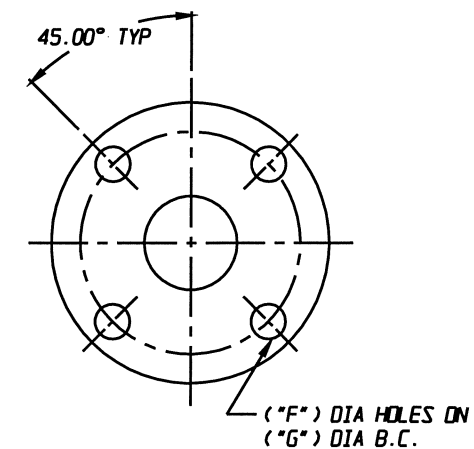
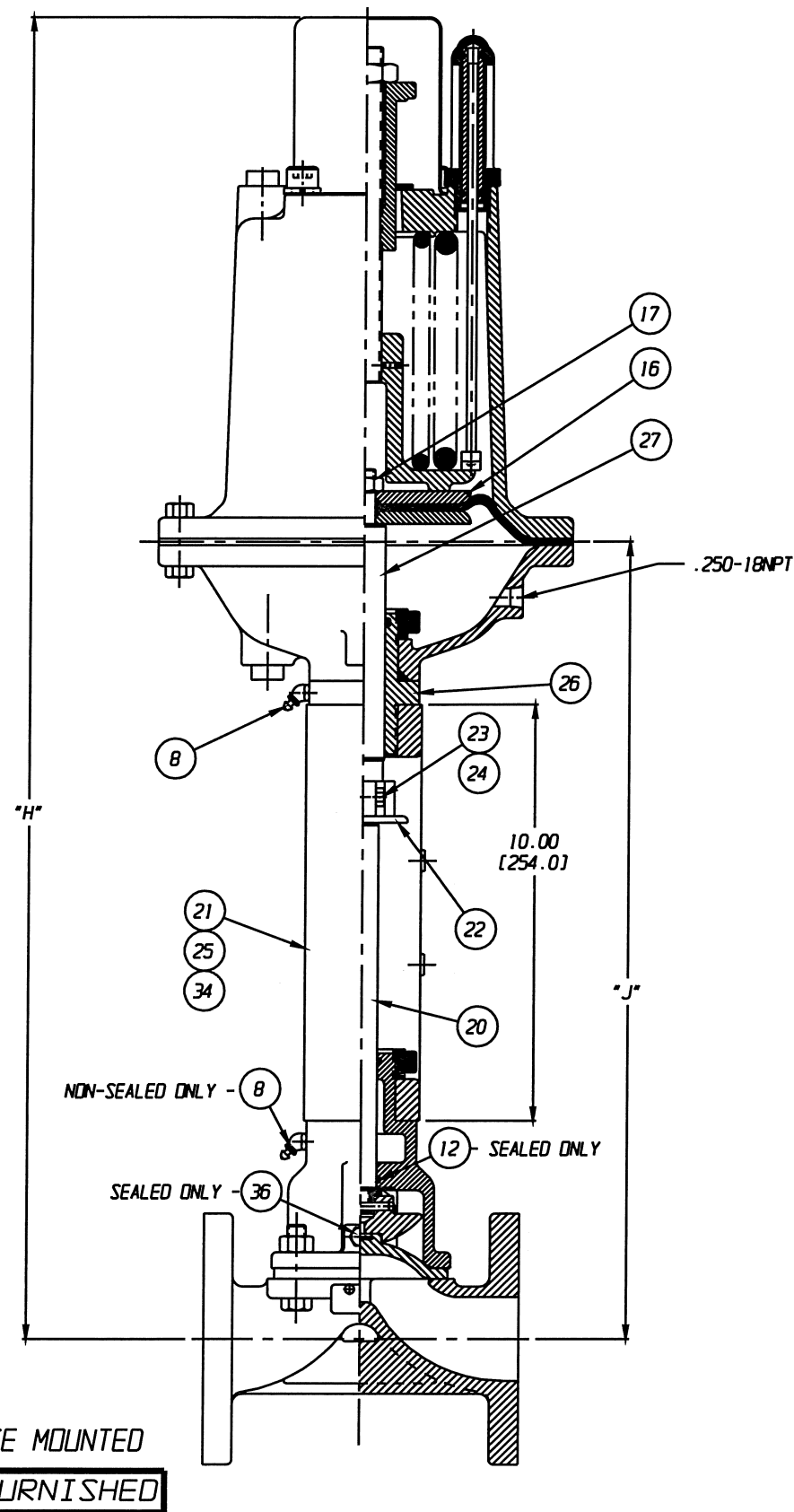
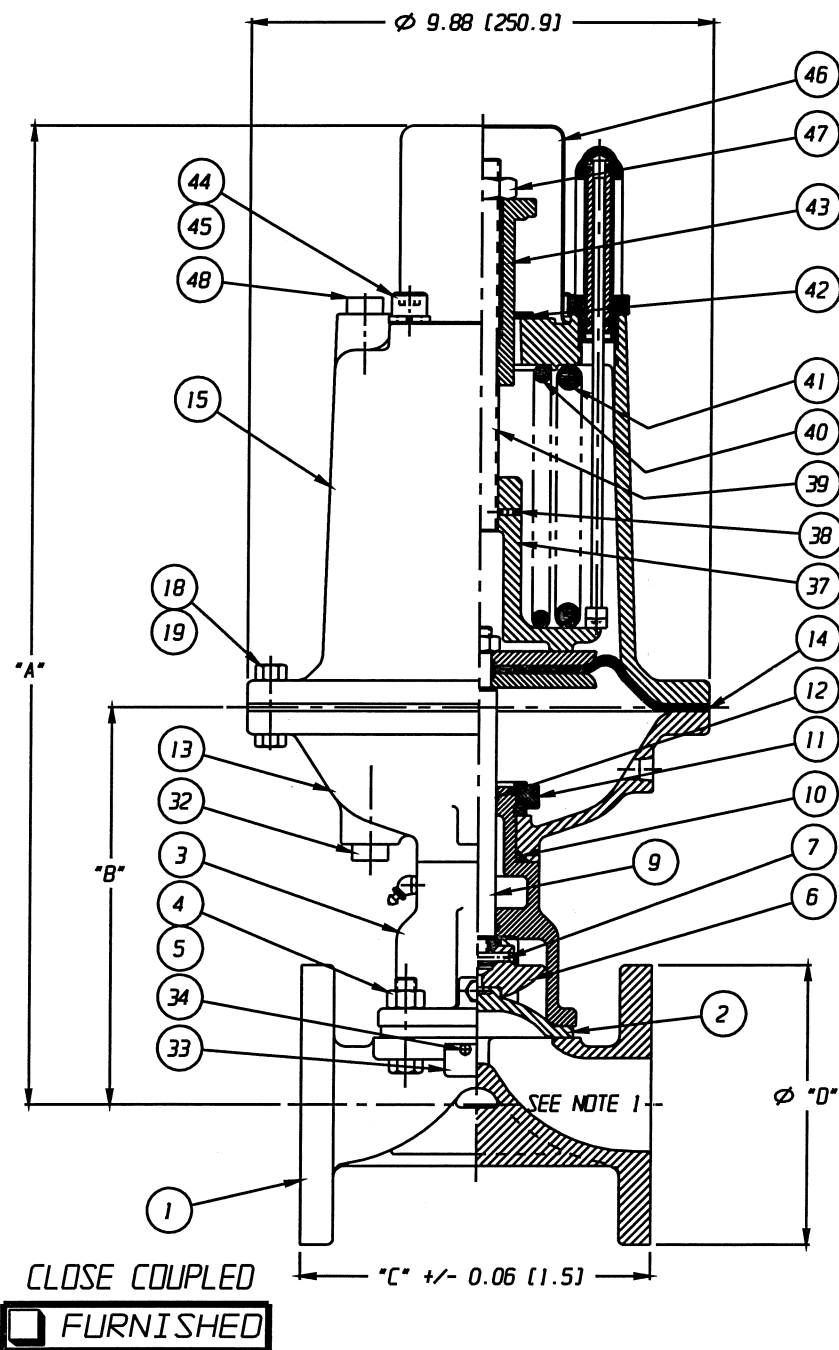


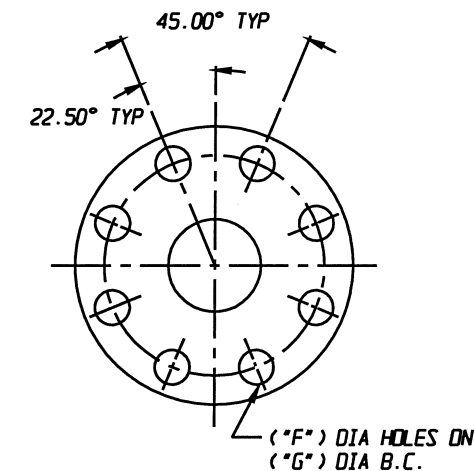
NOTES:
 1. VALVE IS BIDIRECTIONAL (NO FLOW ARROW).

POSITION INDICATOR IS SHOWN 90° FROM TRUE POSITION



00.50 - 03.00 FLANGE

FURNISHED



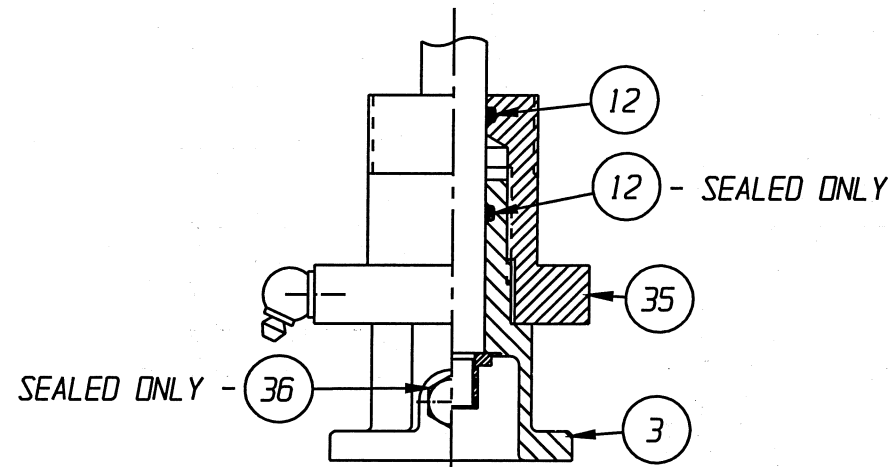
04.00 FLANGE

FURNISHED

UNLESS OTHERWISE SPECIFIED, DIMENSIONS NOT SHOWN IN BRACKETS [] ARE IN INCHES. DIMENSIONS SHOWN IN BRACKETS [] ARE IN MILLIMETERS.

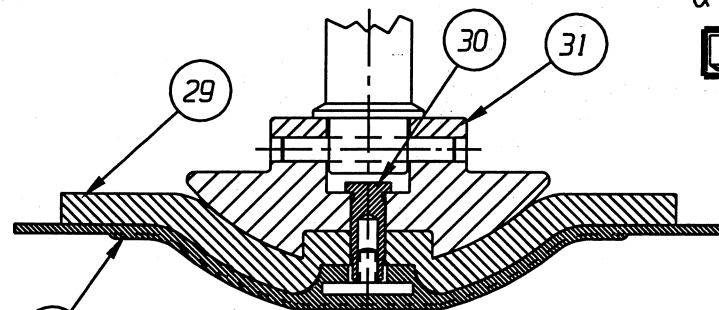
ENGRD VALVES ORDER: -	ITEM: -	THIRD ANGLE PROJECTION	DATE	BY	VALVE ASSEMBLY		Engineered Valves www.angvalves.com
FIGURE NO.: -			DWN 1/18/06	JLW	WEIR 00.50 - 04.00		
CUSTOMER: -			CHKD 1/18/06	STD	#25 REVERSE ACTUATOR	000000-000	SHEET REV 1 OF 2 -
CUSTOMER P.O.: -			APVD 1/18/06	STD	W/FLANGED FLAT FACE ENDS		
		ALL DIMENSIONS SHOWN ON THIS DRAWING ARE FOR REFERENCE ONLY	MASTER DWG: 009294-1/2/-	ECN# 10260	ISSUED BY: -	CERT BY: -	

VALVE SIZE	'A'	'B'	'C'	'D' DIA	'F' DIA	'G' DIA	'H'	'J'	QTY. BONNET CAP SCREWS, STUDS/NUTS	D-RING
00.50	18.52 (470.4)	6.00 (152.4)	4.00 (101.6)	3.50 (88.9)	0.63 (16.0)	2.38 (60.4)	29.09 (738.9)	16.57 (420.9)	4	#114
00.75	19.16 (486.7)	6.64 (168.6)	5.50 (139.7)	3.88 (98.5)	0.63 (16.0)	2.75 (69.8)	29.73 (755.1)	17.21 (437.1)	4	
01.00				4.25 (107.9)	0.63 (16.0)	3.12 (79.2)			4	
01.25	20.70 (525.8)	8.18 (207.8)	6.50 (165.1)	5.00 (127.0)	0.63 (16.0)	3.50 (88.9)	31.27 (794.3)	18.75 (476.3)	4	#116
01.50						3.88 (98.6)			4	
02.00	21.24 (539.5)	8.72 (221.5)	7.50 (190.5)	6.00 (152.4)	0.75 (19.0)	4.75 (120.6)	31.81 (807.9)	19.29 (489.9)	4	#214
02.50	22.21 (564.1)	9.69 (246.1)	8.50 (215.9)	7.00 (177.8)	0.75 (19.0)	5.50 (139.7)	32.78 (832.6)	20.26 (514.6)	4	
03.00	22.76 (578.1)	10.24 (260.1)	10.00 (254.0)	7.50 (190.5)	0.75 (19.0)	6.00 (152.4)	33.33 (846.6)	20.81 (528.6)	4	
04.00	24.10 (612.1)	11.58 (294.1)	12.50 (317.5)	9.00 (228.6)	0.75 (19.0)	7.50 (190.5)	34.67 (880.6)	22.15 (562.6)	8	



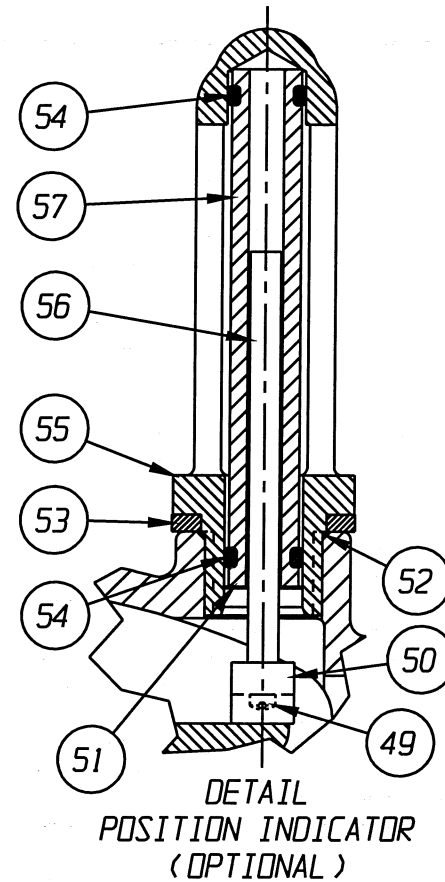
BONNET W/ADAPTER SPOOL
00.50 THRU 01.00 CLOSE COUPLED
& YOKE MOUNTED

FURNISHED



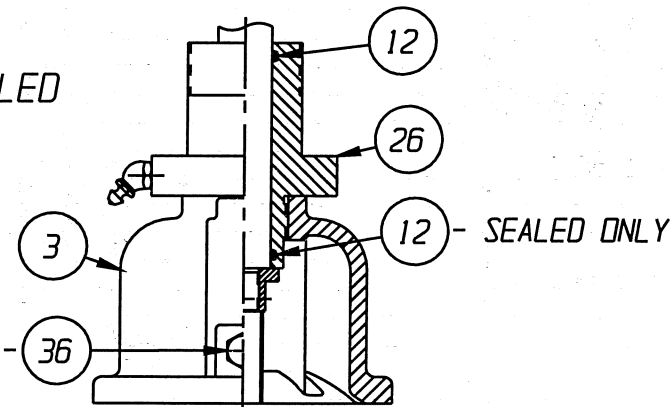
PTFE DIAPHRAGM

FURNISHED



DETAIL
POSITION INDICATOR
(OPTIONAL)

FURNISHED



SEALED ONLY - 36

S.S. BONNET W/ADAPTER BUSHING
01.25 THRU 04.00 CLOSE COUPLED
& YOKE MOUNTED

FURNISHED

LIST OF PARTS			
ITEM	DESCRIPTION	MATERIAL	QTY.
1	BODY, FLANGED FLAT FACE	-	1
2	DIAPHRAGM, ELASTOMER	-	1
3	BONNET, ADAPTER	-	1
4	HEX, CAP SCREWS DR STUDS	-	SEE CHART
5	NUTS	-	SEE CHART
6	COMPRESSOR, F/ ELASTOMER DIAPHRAGM	-	1
7	PIN, SPIROL	STN. STL. TYPE 302	1
8	FITTING, LUBE #1744-B	-	AR
9	SPINDLE, VALVE	STN. STL. A-582, TYPE 303	1
* 10	D-RING #326	BUNA-N	1
11	NUT, ADAPTER BUSHING	M.I. A-47, GR. 32510	AR
* 12	D-RING 'SEE CHART'	BUNA-N	AR
13	COVER, LOWER	ALUMINUM	1
* 14	DIAPHRAGM, AIR MOTOR	BUNA-N	1
15	COVER, UPPER	ALUMINUM	1
16	PLATE, ACTUATOR	C.I. A-126, CL. B	2
17	NUT, HEX JAM	CAR. STL.	1
18	SCREW, HEX HD. CAP	CAR. STL.	9
19	NUT, HEX	CAR. STL.	9
20	SPINDLE, VALVE YOKE	STN. STL. A-582, TYPE 303	1
21	YOKE	D.I. A-395, GR. 60-40-18	1
22	COUPLING, HALF	STN. STL. A-351, GR. CFB	2
23	SCREW, HEX HD. CAP	CAR. STL.	2
24	NUT, HEX	CAR. STL.	2
25	SCALE, INDICATING	STN. STL.	1
26	BUSHING, ADAPTER	CAR. STL. A-108, GR. 12L14	AR
27	SPINDLE, ACTUATOR	STN. STL. A-582, TYPE 302	1
* 28	DIAPHRAGM, PTFE	R2	1
* 29	CUSHION, BACKING	ELASTOMER	1
30	NUT, TUBE	BRASS B-16, C36000 H02	1
31	COMPRESSOR, F/ PTFE DIAPHRAGM	-	1
32	PLUG, PIPE	CAR. STL. A-181, GR. 1	1
33	PLATE, IDENTIFICATION	STN. STL. A-240, TYPE 304	1
34	SCREW, DRIVE TYPE U	CAR. STL. SAE GR. 2	4
35	SPOOL, ADAPTER	CAR. STL. A-108, GR. 12L14	1
36	PLUG, VENT	STN. STL. TYPE 304	1
37	SEAT, SPRING	C.I. ASTM A126 CL. B	1
38	PIN, SPIROL (SPRING SEAT)	STN. STL. AISI 302	1
39	ROD, SPRING	CAR. STL. ASTM A108	1
40	SPRING NO. 102A	STEEL ASTM A229	1
41	SPRING NO. 101	STEEL ASTM A689	1
42	WASHER, THRUST	CAR. STL. AISI 1010	1
43	BUSHING, ADJUSTING	D.I. ASTM A395 GR. 60-40-18	1
44	SCREW, HEX. SOC. HD. CAP	CAR. STL.	2
45	WASHER, SPRINGLOCK	CAR. STL.	2
46	SHIELD, TRAVEL STOP	CAR. STL.	1
47	NUT, HEX. JAM	CAR. STL. SAE GR. 2	1
48	PLUG, PIPE	PLASTIC	2
49	SCREW, MACHINE FILLISTER HD.	STN. STL. 18-8	1
50	MAGNET, CRUCIBLE U-181	-	1
* 51	RING, RETAINING	STEEL	1
52	D-RING #115	BUNA-N	1
* 53	SPACER, INDICATOR HOUSING	ALUMINUM B-211	1
54	D-RING #110	BUNA-N	2
55	HOUSING, INDICATOR	ALUMINUM B-26	1
56	ROD, INDICATOR	ALUMINUM B-211	1
57	TUBE, INDICATOR	PLASTIC	1

* RECOMMENDED SPARE PARTS

UNLESS OTHERWISE SPECIFIED, DIMENSIONS NOT SHOWN IN BRACKETS [] ARE IN INCHES. DIMENSIONS SHOWN IN BRACKETS [] ARE IN MILLIMETERS.

ENGRD VALVES ORDER: -	ITEM: -	THIRD ANGLE PROJECTION	DATE	BY	VALVE ASSEMBLY WEIR 00.50 - 04.00 #25 REVERSE ACTUATOR W/FLANGED FLAT FACE ENDS	 ITT Engineered Valves www.engvalves.com
FIGURE NO.: -			DWN 1/18/06	JLW		
CUSTOMER: -			CHKD 1/18/06	STD		D 000000-000 SHEET 2 OF 2 REV -
CUSTOMER P.O.: -		ALL DIMENSIONS SHOWN ON THIS DRAWING ARE FOR REFERENCE ONLY	APVD 1/18/06	STD	MASTER DWG: 009294-2/2/- ECN# 10260	
			ISSUED BY: -	CERT BY: -		