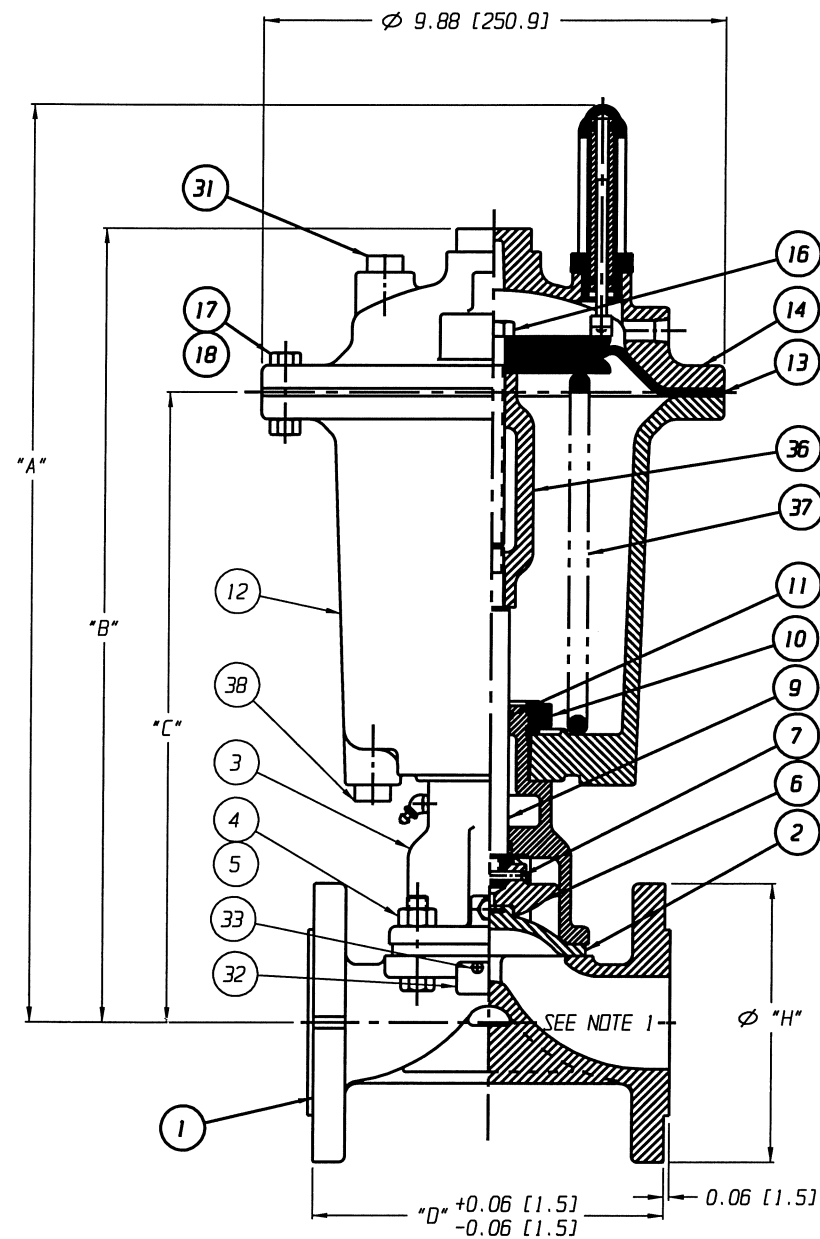
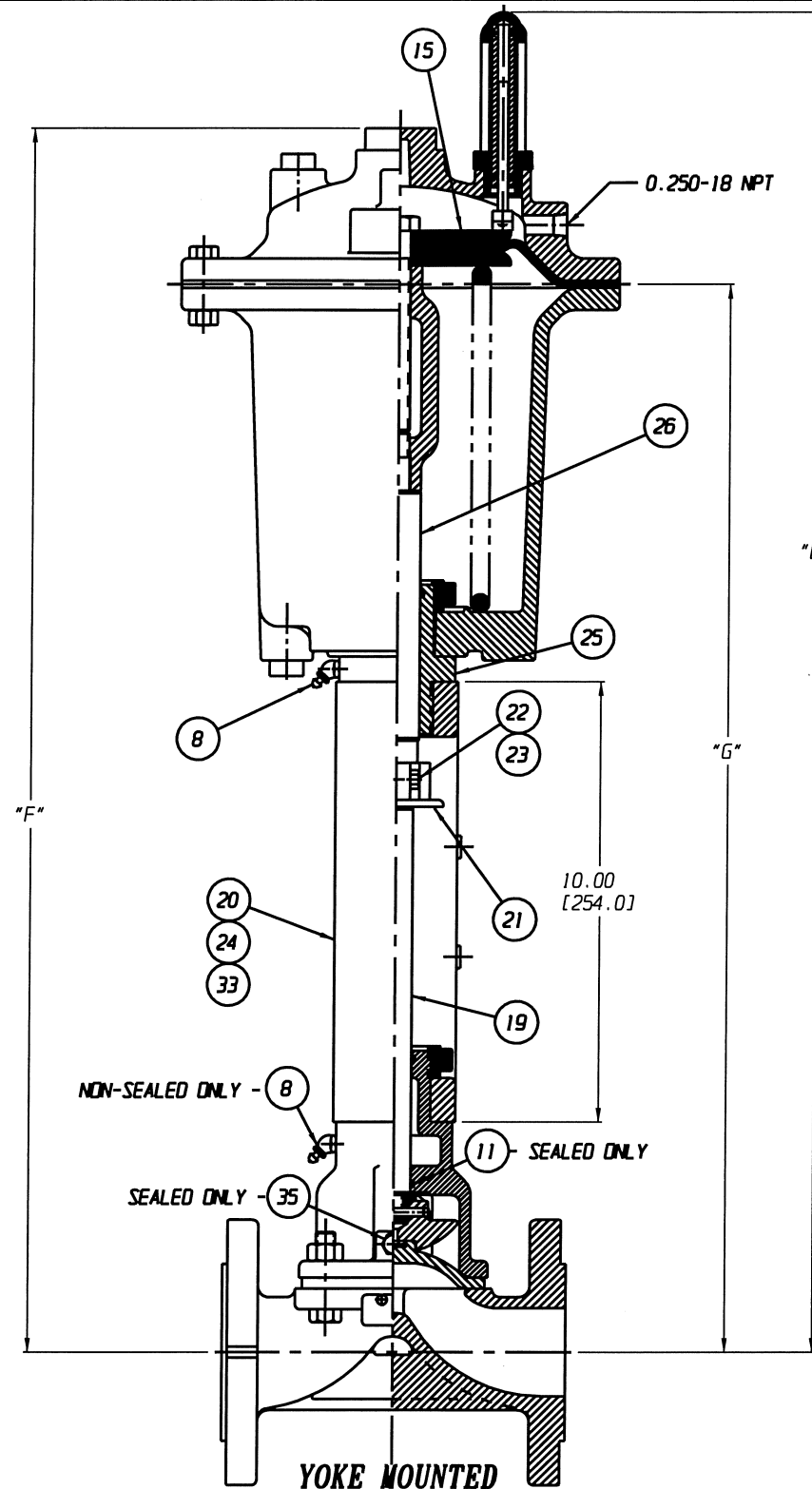


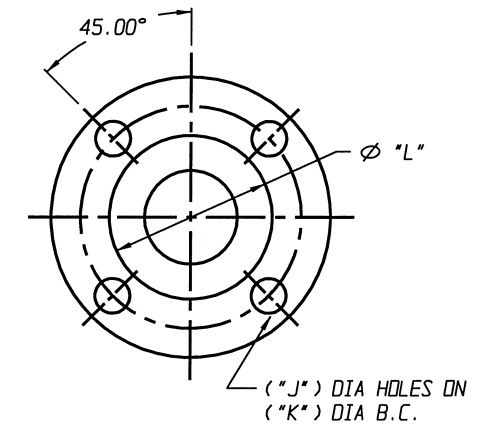
POSITION INDICATOR IS SHOWN 180° FROM TRUE POSITION



CLOSE COUPLED
 FURNISHED

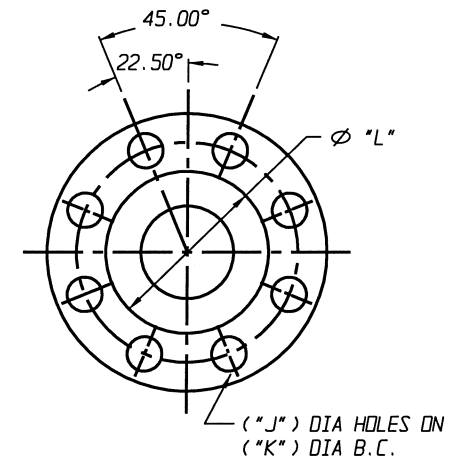


YOKE MOUNTED
 FURNISHED



00.50 - 03.00 FLANGE

FURNISHED



04.00 FLANGE

FURNISHED

NOTES:
 1. VALVE IS BI-DIRECTIONAL (NO FLOW ARROW).

ENGRD VALVES ORDER: - ITEM: -
 SHEET - OF -
 FIGURE NO.: -
 CUSTOMER: -
 CUSTOMER P.O.: -
 ISSUED BY: - CERTIFIED BY: -

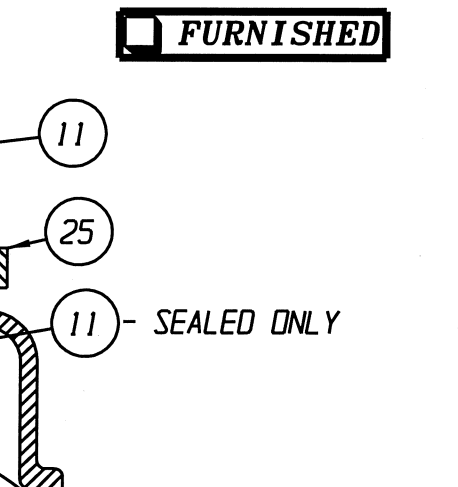
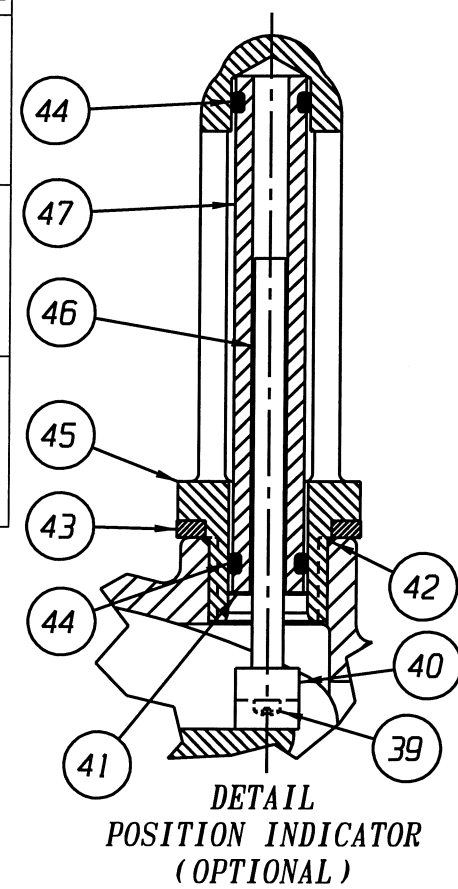
UNLESS OTHERWISE SPECIFIED, DIMENSIONS NOT SHOWN IN BRACKETS [] ARE IN INCHES.
 DIMENSIONS SHOWN IN BRACKETS [] ARE IN MILLIMETERS.

THIRD ANGLE PROJECTION	DATE	BY
	07/25/06	JLW
	07/25/06	STD
	07/25/06	STD

VALVE ASSEMBLY
 WEIR 00.50 THRU 04.00
 #25 DIR. ACT.
 W/ FLANGED RAISED FACE ENDS

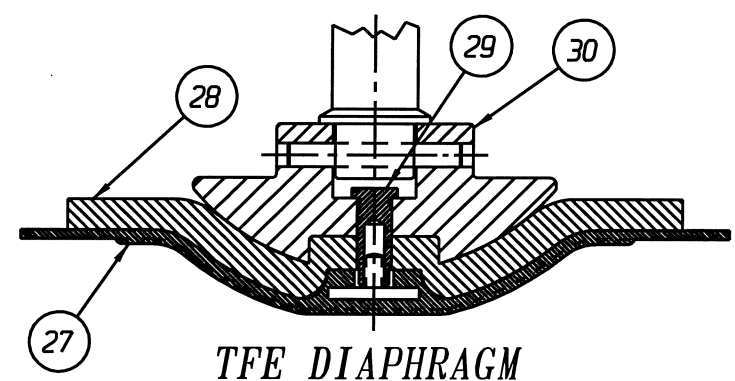
		ECN# 10539
CS	D	009474 SHEET 1 OF 2 www.engvalves.com
Engineered Valves Group Lancaster, PA USA		REV -

VALVE SIZE	'A'	'B'	'C'	'D'	'E'	'F'	'G'	'H' DIA	'J' DIA	'K' DIA	'L' DIA	QTY. BONNET CAP SCREWS, STUDS/NUTS	O-RING ITEM 11
00.50	17.23 [437.6]	14.58 [370.3]	11.06 [280.9]	4.00 [101.6]	27.80 [706.1]	25.15 [638.8]	21.63 [549.4]	3.50 [88.9]	0.62 [15.7]	2.38 [60.5]	1.38 [35.1]	4	#114
00.75	17.87 [453.9]	15.22 [386.6]	11.70 [297.2]	5.50 [139.7]	28.44 [722.4]	25.79 [655.1]	22.27 [565.7]	3.88 [98.6]	0.62 [15.7]	2.75 [69.9]	1.69 [42.9]	4	
01.00	17.87 [453.9]	15.22 [386.6]	11.70 [297.2]	5.50 [139.7]	28.44 [722.4]	25.79 [655.1]	22.27 [565.7]	4.25 [107.9]	0.62 [15.7]	3.12 [79.2]	2.00 [50.8]	4	
01.25	19.35 [491.5]	16.70 [424.2]	13.18 [334.8]	6.50 [165.1]	29.92 [759.9]	27.27 [693.3]	23.75 [603.3]	5.00 [127.0]	0.62 [15.7]	3.50 [88.9]	2.50 [63.5]	4	#116
01.50										3.88 [98.6]	2.88 [73.2]		
02.00	19.83 [503.7]	17.18 [436.4]	13.88 [352.6]	7.50 [190.5]	30.40 [772.2]	27.75 [704.9]	24.45 [621.0]	6.00 [152.4]	0.75 [19.1]	4.75 [120.7]	3.62 [91.9]	4	
02.50	20.29 [515.4]	17.64 [448.1]	14.12 [358.6]	8.50 [215.9]	30.86 [783.8]	28.21 [716.5]	24.69 [627.1]	7.00 [177.8]	0.75 [19.1]	5.50 [139.7]	4.12 [104.6]	4	
03.00	21.15 [537.2]	18.50 [469.9]	14.98 [380.5]	10.00 [254.0]	31.72 [805.7]	29.07 [738.4]	25.55 [648.9]	7.50 [190.5]	0.75 [19.1]		5.00 [127.0]	4	#214
04.00	22.57 [573.3]	19.92 [505.9]	16.40 [416.6]	12.50 [317.5]	33.14 [841.8]	30.49 [774.4]	26.97 [685.0]	9.00 [228.6]	0.75 [19.1]	7.50 [190.5]	6.19 [157.2]	8	

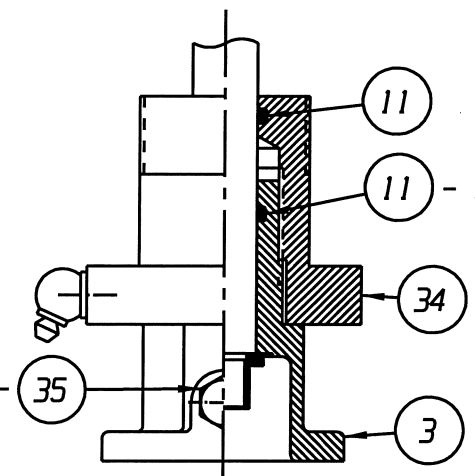


LIST OF PARTS			
ITEM	DESCRIPTION	MATERIAL	QTY.
1	BODY, FLANGED	-	1
2	DIAPHRAGM, ELASTOMER	-	1
3	BONNET, ADAPTER	-	1
4	HEX, CAP SCREWS OR STUDS	-	SEE CHART
5	NUTS	-	SEE CHART
6	COMPRESSOR, F/ ELASTOMER DIAPHRAGM	-	1
7	PIN, SPIRDL	STN. STL. TYPE 302	1
8	FITTING, LUBE #1744-B	-	AR
9	SPINDLE, VALVE	STN. STL. A-582, TYPE 303	1
10	NUT, ADAPTER BUSHING	M.I. A-47, GR. 32510	AR
* 11	O-RING 'SEE CHART'	BUNA-N	AR
12	COVER, LOWER	ALUMINUM	1
* 13	DIAPHRAGM, AIR MOTOR	BUNA-N	1
14	COVER, UPPER	ALUMINUM	1
15	PLATE, ACTUATOR	C.I. A-126, CL. B	2
16	SCREW, HEX. HD. CAP	CAR. STL.	1
17	SCREW, HEX HD. CAP	CAR. STL.	9
18	NUT, HEX	CAR. STL.	9
19	SPINDLE, VALVE YOKE	STN. STL. A-582, TYPE 303	1
20	YOKE	D.I. A-395, GR. 60-40-18	1
21	COUPLING, HALF	STN. STL. A-351, GR. CF8	2
22	SCREW, HEX HD. CAP	CAR. STL.	2
23	NUT, HEX	CAR. STL.	2
24	SCALE, INDICATING	STN. STL.	1
25	BUSHING, ADAPTER	CAR. STL. A-108, GR. 12L14	AR
26	SPINDLE, ACTUATOR	STN. STL. A-582, TYPE 302	1
* 27	DIAPHRAGM, PTFE	R2	1
* 28	CUSHION, BACKING	ELASTOMER	1
29	NUT, TUBE	BRASS B-16, C36000 H02	1
30	COMPRESSOR, F/ PTFE DIAPHRAGM	-	1
31	PLUG, PIPE	CAR. STL. A-181, GR. 1	2
32	PLATE, IDENTIFICATION	STN. STL. A-240, TYPE 304	1
33	SCREW, DRIVE TYPE U	CAR. STL. SAE GR. 2	4
34	SPOOL, ADAPTER	CAR. STL. A-108, GR. 12L14	1
35	PLUG, VENT	STN. STL. TYPE 304	1
36	SPINDLE, HEAD	D.I. ASTM A395 GR.60-40-18	1
37	SPRING NO. 103	STEEL ASTM A227	1
38	PLUG, PIPE	PLASTIC	1
39	SCREW, MACHINE FILLISTER HD.	STN. STL. 18-8	1
40	MAGNET, CRUCIBLE U-181	-	1
41	RING, RETAINING	STEEL	1
* 42	O-RING #115	BUNA-N	1
43	SPACER, INDICATOR HOUSING	ALUMINUM B-211	1
* 44	O-RING #110	BUNA-N	2
45	HOUSING, INDICATOR	ALUMINUM B-26	1
46	ROD, INDICATOR	ALUMINUM B-211	1
47	TUBE, INDICATOR	PLASTIC	1

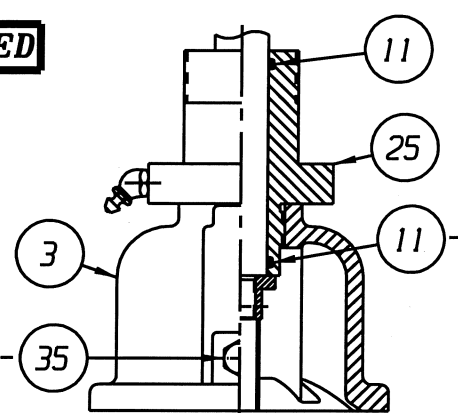
* RECOMMENDED SPARE PARTS



TFE DIAPHRAGM
FURNISHED



BONNET W/ADAPTER SPOOL
00.50 - 01.00 DI BONNET (E/34)
00.50 SS BONNET (E/31)
CLOSE COUPLED & YOKE MOUNTED
FURNISHED



BONNET W/ADAPTER BUSHING
00.75 - 04.00 SS BONNET (E/31)
02.50 DI BONNET (E/34)
CLOSE COUPLED & YOKE MOUNTED
FURNISHED

ENGRD VALVES ORDER: - ITEM: -
SHEET - OF -
FIGURE NO.: -
CUSTOMER: -
CUSTOMER P.O.: -
ISSUED BY: - CERTIFIED BY: -

UNLESS OTHERWISE SPECIFIED, DIMENSIONS NOT SHOWN IN BRACKETS [] ARE IN INCHES.
DIMENSIONS SHOWN IN BRACKETS [] ARE IN MILLIMETERS.

THIRD ANGLE PROJECTION	DATE	BY
	DWN 07/25/06	JLW
	CHKD 07/25/06	STD
	APVD 07/25/06	STD

VALVE ASSEMBLY
WEIR 00.50 THRU 04.00
#25 DIR. ACT.
W/ FLANGED RAISED FACE ENDS

ITT Engineered Valves Group
Lancaster, PA USA

CS D 009474 REV -
SHEET 2 OF 2

www.engvalves.com

ECN# 10539

ALL DIMENSIONS SHOWN ON THIS DRAWING ARE FOR REFERENCE ONLY