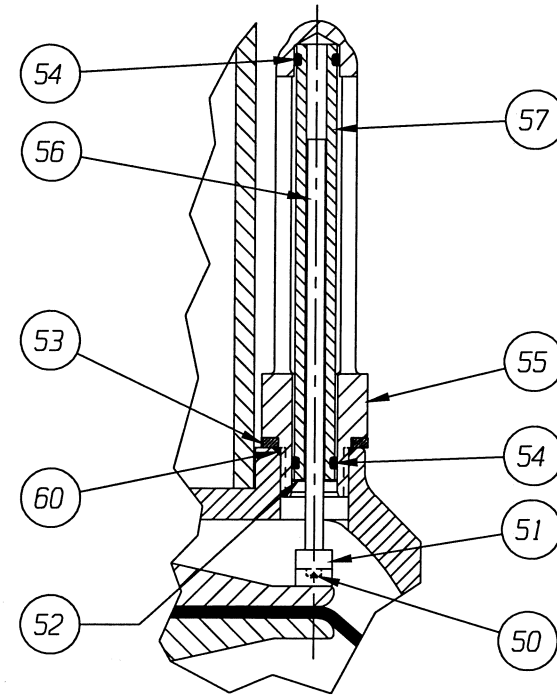
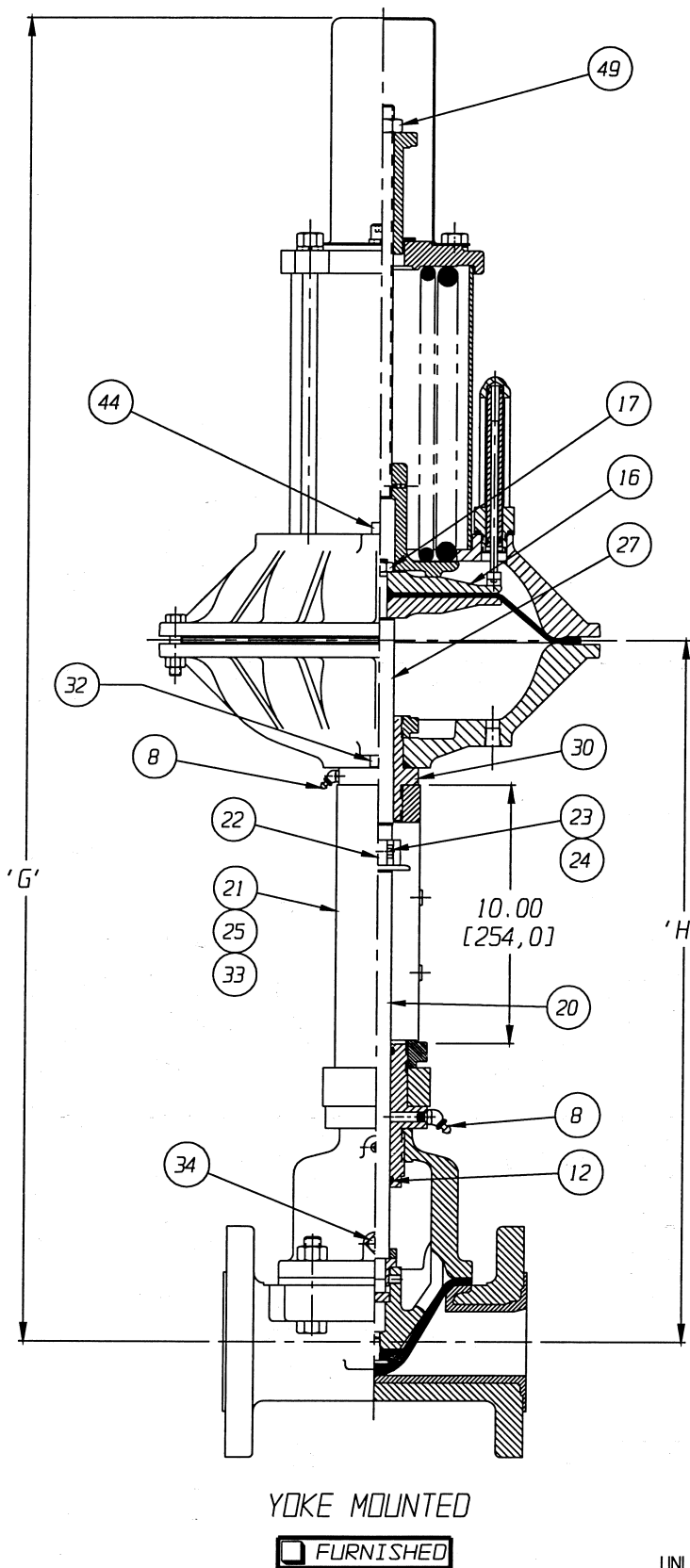
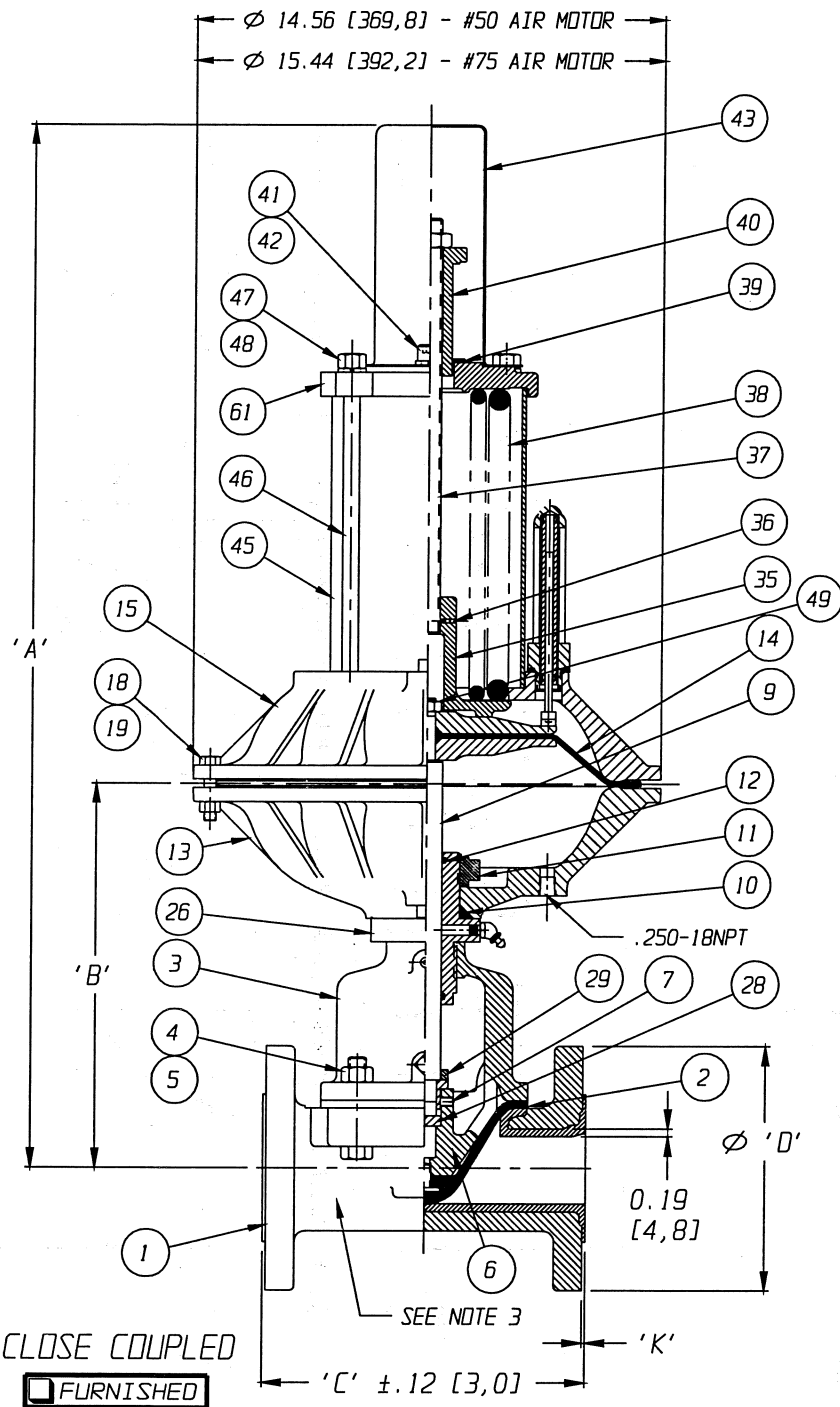
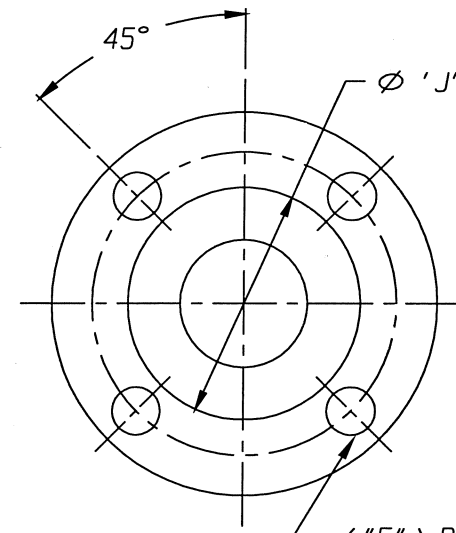
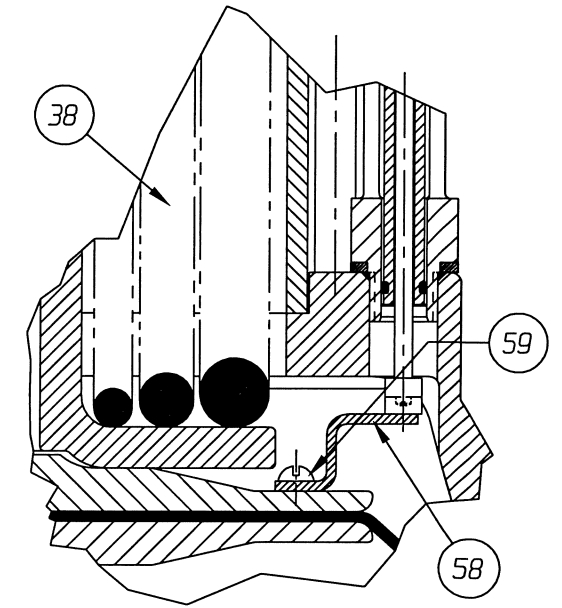


POSITION INDICATOR IS SHOWN 90° FROM TRUE POSITION



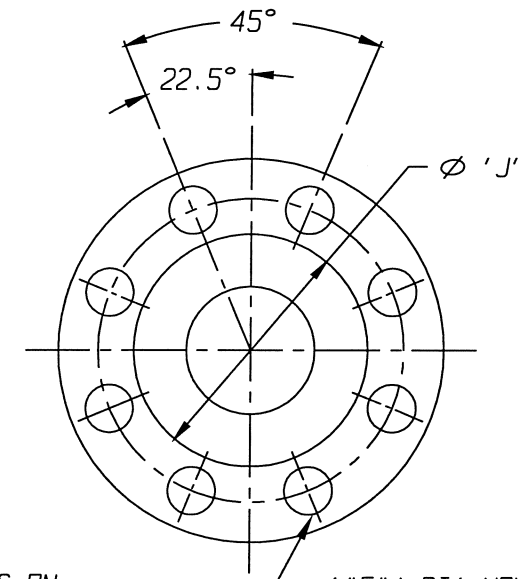
DETAIL: POSITION INDICATOR # 75 (OPTIONAL)



("E") DIA HOLES ON ("F") DIA B.C.

01.00 - 03.00 FLANGE

FURNISHED



("E") DIA HOLES ON ("F") DIA B.C.

04.00 FLANGE

FURNISHED

ENGRD VALVES ORDER: \_\_\_\_\_ ITEM: \_\_\_\_\_  
 SHEET \_\_\_\_\_ OF \_\_\_\_\_  
 FIGURE NO.: \_\_\_\_\_  
 CUSTOMER: \_\_\_\_\_  
 CUSTOMER P.O.: \_\_\_\_\_  
 ISSUED BY: \_\_\_\_\_ CERTIFIED BY: \_\_\_\_\_

ECN# 10759

UNLESS OTHERWISE SPECIFIED, DIMENSIONS NOT SHOWN IN BRACKETS [ ] ARE IN INCHES. DIMENSIONS SHOWN IN BRACKETS [ ] ARE IN MILLIMETERS.

THIRD ANGLE PROJECTION	DATE	BY	VALVE ASSEMBLY
	DWN	02/23/07	DJS
	CHKD	02/23/07	STD
	APVD	02/23/07	STD
ALL DIMENSIONS SHOWN ON THIS DRAWING ARE FOR REFERENCE ONLY			VALVE ASSEMBLY ST-WAY 01.00 - 04.00 #50 & #75 REVERSE ACTUATOR WITH FLANGED ENDS PLASTIC LINED

**ITT**  
 Enginored Valves Group  
 Lancaster, PA USA

CS D 009611 REV -  
 SHEET 1 OF 2  
 www.engvalves.com

# 50 AIR MOTOR (STD.)

VALVE SIZE	'A'	'B'	'C'	'D' DIA	'E' DIA	'F' DIA	'G'	'H'	'J' DIA	'K'	QTY. BONNET CAP SCREWS STUDS/NUTS	O-RING ITEM 12
01.00	25.71 [653,0]	8.52 [216,4]	5.75 [146,1]	4.25 [107,9]	0.62 [15,7]	3.12 [79,2]	36.28 [921,5]	19.09 [484,9]	2.00 [50,8]	0.06 [1,5]	4	116

# 50 AIR MOTOR (LARGE)

VALVE SIZE	'A'	'B'	'C'	'D' DIA	'E' DIA	'F' DIA	'G'	'H'	'J'	'K'	QTY. BONNET CAP SCREWS STUDS/NUTS	O-RING ITEM 12
01.00	29.09 [738,9]	8.52 [216,4]	5.75 [146,1]	4.25 [107,9]	0.62 [15,7]	3.12 [79,2]	39.66 [1007,4]	19.09 [484,9]	2.00 [50,8]	0.06 [1,5]	4	116
01.50	29.93 [760,2]	9.36 [237,7]	6.88 [174,8]	5.00 [127,0]	0.62 [15,7]	3.88 [98,6]	40.50 [1028,7]	19.93 [506,2]	2.88 [73,2]	0.06 [1,5]	4	116
02.00	30.96 [786,4]	10.39 [263,9]	7.88 [200,2]	6.00 [152,4]	0.75 [19,1]	4.75 [120,7]	41.53 [1054,9]	20.96 [532,4]	3.62 [91,9]	0.06 [1,5]	4	116
03.00	31.96 [811,8]	11.39 [289,3]	10.25 [260,3]	7.50 [190,5]	0.75 [19,1]	6.00 [152,4]	42.53 [1080,3]	21.96 [557,8]	5.00 [127,0]	0.12 [3,0]	6	214

# 75 AIR MOTOR

VALVE SIZE	'A'	'B'	'C'	'D' DIA	'E' DIA	'F' DIA	'G'	'H'	'J'	'K'	QTY. BONNET CAP SCREWS STUDS/NUTS	O-RING ITEM 12
03.00	31.81 [807,9]	11.39 [289,3]	10.25 [260,3]	7.50 [190,5]	0.75 [19,1]	6.00 [152,4]	42.37 [1076,2]	21.96 [557,8]	5.00 [127,0]	0.12 [3,0]	6	214
04.00	33.29 [845,6]	12.87 [326,9]	12.88 [327,2]	9.00 [228,6]	0.75 [19,1]	7.50 [190,5]	43.86 [1114,0]	23.44 [595,4]	6.19 [157,2]	0.12 [3,0]	8	214

UNLESS OTHERWISE SPECIFIED, DIMENSIONS NOT SHOWN IN BRACKETS [ ] ARE IN INCHES. DIMENSIONS SHOWN IN BRACKETS [ ] ARE IN MILLIMETERS.

NOTES:

- ▲ 1. ITEM 29 USED ONLY WITH 4" VALVE.
- ⊘ 2. QUANTITY OF ITEMS 46, 47 & 48 ARE AS FOLLOWS:  
(4) FOR #50 REVERSE ACTUATOR  
(8) FOR #75 REVERSE ACTUATOR
3. VALVE IS BI-DIRECTIONAL (NO FLOW ARROW).

SPRING CHART (ITEM 38)

AM.	TYPE
#50 (STD)	#101
	#102A
#50 (LARGE)	#96
	#97
#75	#96
	#97
	#98

LIST OF PARTS

ITEM	DESCRIPTION	MATERIAL	QTY.
1	BODY, FLANGED PLASTIC LINED	-	1
2	DIAPHRAGM	-	1
3	BONNET, ADAPTER	-	1
4	HEX, CAP SCREWS OR STUDS	-	SEE CHARTS
5	NUTS	-	SEE CHARTS
6	COMPRESSOR	-	1
7	PIN, SPIROL	STN. STL. TYPE 302	1
8	FITTING, LUBE	-	AR
9	SPINDLE, VALVE	STN. STL. A-582, TYPE 303	1
* 10	O-RING #326	BUNA-N	1
11	NUT, ADAPTER BUSHING	DI A536 65-45-12	AR
* 12	O-RING 'SEE CHART'	BUNA-N	AR
* 13	COVER, LOWER	ALUMINUM	1
* 14	DIAPHRAGM, AIR MOTOR	BUNA-N	1
15	COVER, UPPER	ALUMINUM	1
16	PLATE, ACTUATOR	C.I. A-126, CL. B	2
17	NUT, HEX JAM	CAR. STL.	1
18	SCREW, HEX HD. CAP	CAR. STL.	16
19	NUT, HEX	CAR. STL.	16
20	SPINDLE, VALVE YOKE	STN. STL. A-582, TYPE 303	1
21	YOKE	D.I. A-395, GR. 60-40-18	1
22	COUPLING, HALF	STN. STL. A-351, GR. CF8	2
23	SCREW, HEX HD. CAP	CAR. STL.	2
24	NUT, HEX	CAR. STL.	2
25	SCALE, INDICATING	STN. STL.	1
26	BUSHING, ADAPTER	-	1
27	SPINDLE, ACTUATOR	STN. STL. A-582, TYPE 302	1
28	INSERT	CS ASTM A108	1
▲ 29	SPACER	CS ASTM A108	1
30	BSHG, ADAPTER YOKE	-	1
31	-	-	-
32	PLUG, PIPE	PLASTIC	1
33	SCREW, DRIVE TYPE U	CAR. STL. SAE GR. 2	2
34	PLUG, VENT	STN. STL. TYPE 416	1
35	SEAT, SPRING	C.I. ASTM A126 CL. B	1
36	PIN, SPIROL (SPRING SEAT)	STN. STL. AISI 302	1
37	ROD, SPRING	CAR. STL. ASTM A108	1
38	SPRING 'SEE CHART'	STEEL ASTM A229	AR
39	WASHER, THRUST	CAR. STL. AISI 1010	1
40	BUSHING, ADJUSTING	D.I. ASTM A395 GR.60-40-18	1
41	SCREW, HEX. SOC. HD. CAP	CAR. STL.	2
42	WASHER, SPRINGLOCK	CAR. STL.	2
43	SHIELD, TRAVEL STOP	CAR. STL.	1
44	PLUG, PIPE	CAR. STL. A-181, GR. 1	2
45	HOUSING, SPRING	C. STEEL, A-513	1
⊘ 46	COLUMN	C.STL., A-108, GR.12L14	AR
⊘ 47	NUT, HEX	STEEL	AR
⊘ 48	WASHER, SPRINGLOCK	STEEL	AR
49	NUT, HEX. JAM	CAR. STL. SAE GR. 2	1
50	SCREW, MACHINE FILLISTER HD.	STN. STL. 18-8	1
51	MAGNET, CRUCIBLE U-181	-	1
52	RING, RETAINING	STEEL	1
53	SPACER, INDICATOR HOUSING	ALUMINUM B-211	1
* 54	O-RING #110	BUNA-N	2
55	HOUSING, INDICATOR	ALUMINUM B-26	1
56	ROD, INDICATOR	ALUMINUM B-211	1
57	TUBE, INDICATOR	PLASTIC	1
58	PLATE, EXTENSION INDICATOR	STEEL	1
59	SCREW, MACH. RD. HD.	STEEL	2
* 60	O-RING #115	BUNA-N	1
61	COVER, SPRING	DI A536 65-45-12	1

\* RECOMMENDED SPARE PARTS

ENGRD VALVES ORDER: - ITEM: -  
 SHEET - OF -  
 FIGURE NO.: -  
 CUSTOMER: -  
 CUSTOMER P.O.: -  
 ISSUED BY: \_\_\_\_\_ CERTIFIED BY: \_\_\_\_\_

ECN# 10759

THIRD ANGLE PROJECTION	DATE	BY
	DWN 02/23/07	DJS
	CHKD 02/23/07	STD
	APVD 02/23/07	STD

VALVE ASSEMBLY  
 ST-WAY 01.00 - 04.00  
 #50 & #75 REVERSE ACTUATOR  
 WITH FLANGED ENDS  
 PLASTIC LINED

**ITT** Engineered Valves Group  
 Lancaster, PA USA

CS D 009611 REV -  
 SHEET 2 OF 2  
 www.engvalves.com

ALL DIMENSIONS SHOWN ON THIS DRAWING ARE FOR REFERENCE ONLY