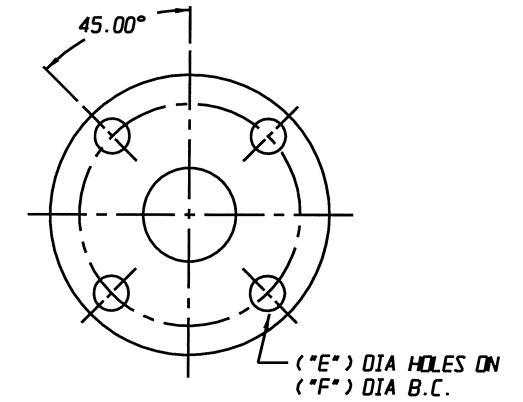


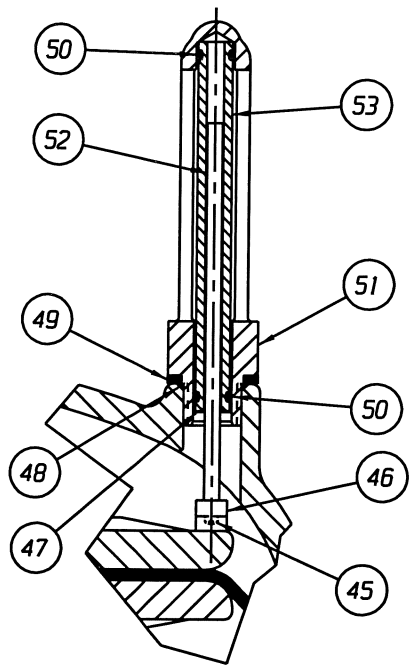
Yoke Mounted

**FURNISHED**

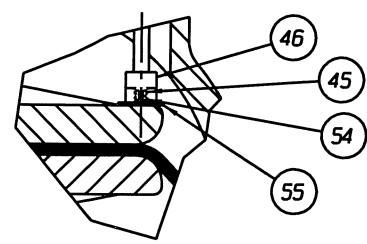


02.50 & 03.00 FLANGE

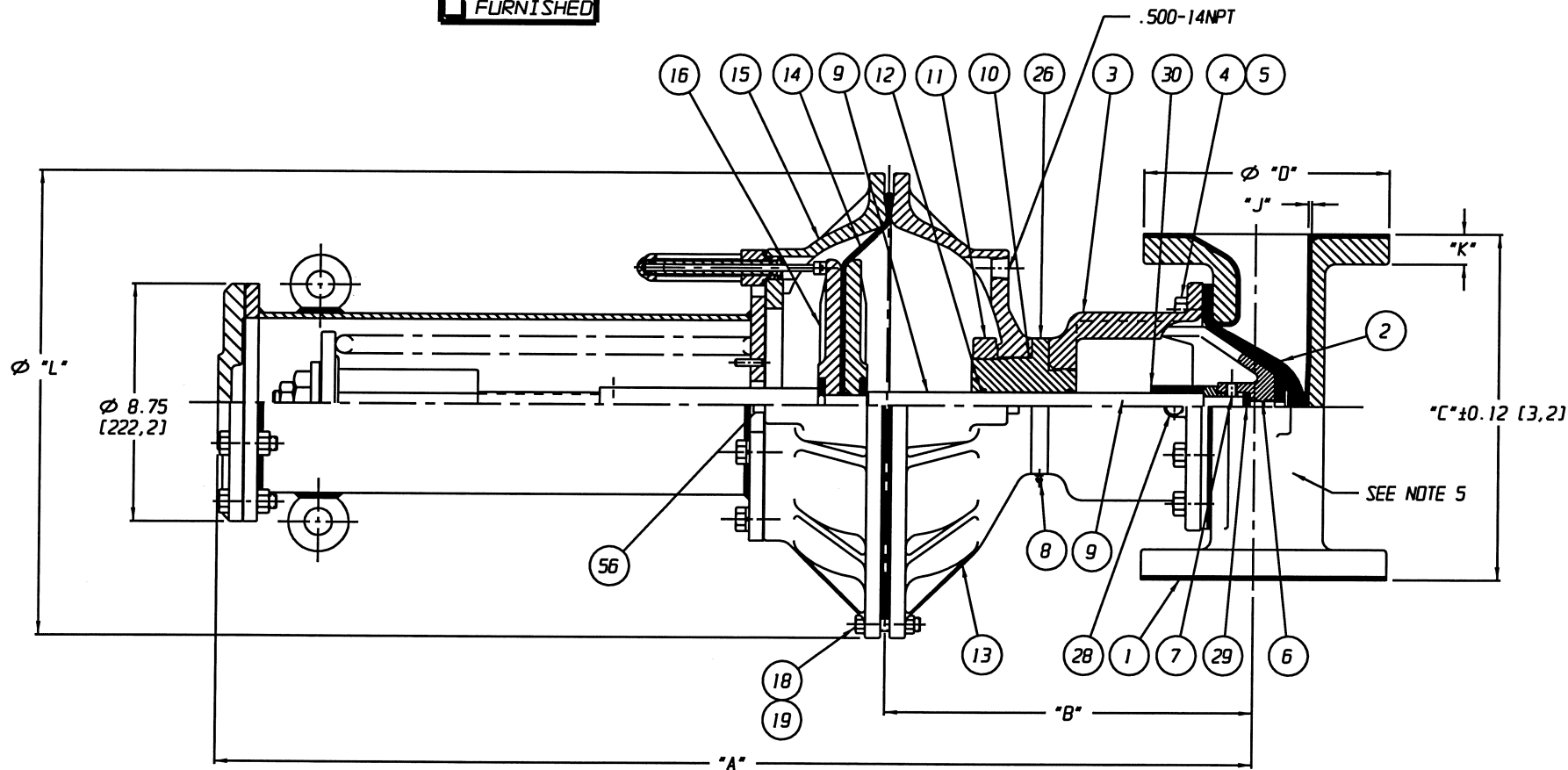
**FURNISHED**



DETAIL: POSITION INDICATOR (OPTIONAL)

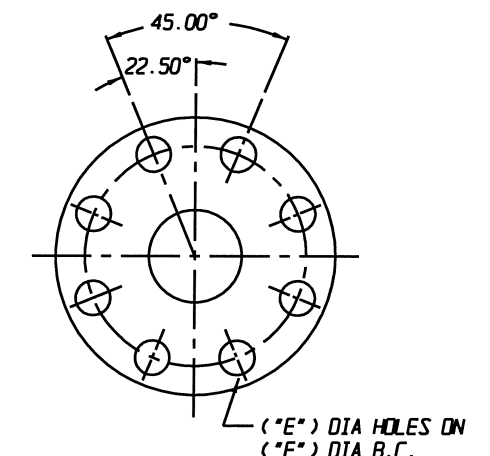


DETAIL: POSITION INDICATOR #250 AIR MOTOR ONLY



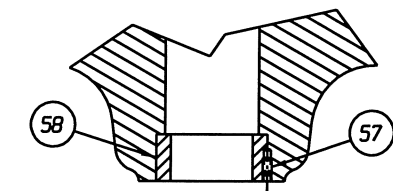
Close Coupled

**FURNISHED**



04.00 - 08.00 FLANGE

**FURNISHED**



DETAIL: 08.00 BONNET #250 AIR MOTOR ONLY

UNLESS OTHERWISE SPECIFIED, DIMENSIONS NOT SHOWN IN BRACKETS ( ) ARE IN INCHES. DIMENSIONS SHOWN IN BRACKETS ( ) ARE IN MILLIMETERS.

ENGRD VALVES ORDER: -	ITEM: -	THIRD ANGLE PROJECTION	DATE	BY	VALVE ASSEMBLY STRAIGHTWAY 02.50 - 08.00 #101 THRU #250 DIRECT ACT WITH FLANGED ENDS RUBBER LINED
FIGURE NO.: -			OWN 9/30/08	OJS	<b>ITT</b> Engineered Valves www.engvalves.com
CUSTOMER: -			CHKO 9/30/08	STO	
CUSTOMER P.O.: -			APVD 9/30/08	STO	
ALL DIMENSIONS SHOWN ON THIS DRAWING ARE FOR REFERENCE ONLY			MASTER DWG: 009728-1/1/-	ECN# 12238	ISSUED BY: -
					000000-000
					SHEET 1 OF 2
					REV -
					CERT BY: -

# 101 AIR MOTOR

VALVE SIZE	'A'	'B'	'C'	'D' DIA	'E' DIA	'F' DIA	'G'	'H'	'J'	'K'	'L'	QTY. BONNET CAP SCREWS STUDS/NUTS
02.50	36.40 [924,6]	12.51 [317,8]	8.75 [222,3]	7.00 [177,8]	0.75 [19,0]	5.50 [139,7]	50.02 [1270,5]	26.13 [663,7]	0.12 [3,0]	0.84 [21,3]	17.12 [434,8]	4
03.00	36.37 [923,8]	12.48 [317,0]	10.25 [260,4]	7.50 [190,5]	0.75 [19,0]	6.00 [152,4]	49.99 [1269,7]	26.10 [662,9]	0.12 [3,0]	0.92 [23,4]		6
04.00	37.40 [950,0]	13.51 [343,2]	12.75 [323,9]	9.00 [228,6]	0.75 [19,0]	7.50 [190,5]	51.02 [1295,9]	27.13 [689,1]	0.12 [3,0]	1.11 [28,2]		8
06.00	40.68 [1033,3]	16.79 [426,5]	16.38 [416,0]	11.00 [279,4]	0.88 [22,3]	9.50 [241,3]	54.30 [1379,2]	30.41 [772,4]	0.19 [4,8]	1.24 [31,5]		8

# 130 AIR MOTOR

VALVE SIZE	'A'	'B'	'C'	'D' DIA	'E' DIA	'F' DIA	'G'	'H'	'J'	'K'	'L'	QTY. BONNET CAP SCREWS STUDS/NUTS
02.50	36.40 [924,6]	12.32 [312,9]	8.75 [222,3]	7.00 [177,8]	0.75 [19,0]	5.50 [139,7]	50.02 [1270,5]	25.94 [658,9]	0.12 [3,0]	0.84 [21,3]	19.00 [482,6]	4
03.00	36.37 [923,8]	12.29 [312,2]	10.25 [260,4]	7.50 [190,5]	0.75 [19,0]	6.00 [152,4]	49.99 [1269,7]	25.91 [658,1]	0.12 [3,0]	0.92 [23,4]		6
04.00	37.40 [950,0]	13.32 [338,3]	12.75 [323,9]	9.00 [228,6]	0.75 [19,0]	7.50 [190,5]	51.02 [1295,9]	26.94 [684,3]	0.12 [3,0]	1.11 [28,2]		8
06.00	40.68 [1033,3]	16.60 [421,6]	16.38 [416,0]	11.00 [279,4]	0.88 [22,3]	9.50 [241,3]	54.30 [1379,2]	30.22 [767,6]	0.19 [4,8]	1.24 [31,5]		8

# 250 AIR MOTOR

VALVE SIZE	'A'	'B'	'C'	'D' DIA	'E' DIA	'F' DIA	'G'	'H'	'J'	'K'	'L'	QTY. BONNET CAP SCREWS STUDS/NUTS
02.50	40.40 [1026,2]	14.32 [363,7]	8.75 [222,3]	7.00 [177,8]	0.75 [19,0]	5.50 [139,7]	54.02 [1372,1]	27.94 [709,7]	0.12 [3,0]	0.84 [21,3]	23.88 [606,5]	4
03.00	40.37 [1025,4]	14.29 [363,0]	10.25 [260,4]	7.50 [190,5]	0.75 [19,0]	6.00 [152,4]	53.99 [1371,3]	27.91 [708,9]	0.12 [3,0]	0.92 [23,4]		6
04.00	41.40 [1051,6]	15.32 [389,1]	12.75 [323,9]	9.00 [228,6]	0.75 [19,0]	7.50 [190,5]	55.02 [1397,5]	28.94 [735,1]	0.12 [3,0]	1.11 [28,2]		8
06.00	44.68 [1138,9]	18.60 [472,4]	16.38 [416,0]	11.00 [279,4]	0.88 [22,3]	9.50 [241,3]	58.30 [1480,8]	32.22 [818,4]	0.19 [4,8]	1.24 [31,5]		8
08.00	49.44 [1255,8]	23.36 [593,3]	20.88 [530,4]	13.50 [342,9]	0.88 [22,3]	11.75 [298,4]	63.06 [1601,7]	36.98 [939,3]	0.19 [4,8]	1.36 [34,5]	12	

NOTE:

- △ 1. USED ONLY WITH #250 AIR MOTOR.
- \* 2. RECOMMENDED SPARE PARTS.
- ‡ 3. SEALED BONNET ONLY.
- 4. UNSEALED BONNET ONLY.
- 5. VALVE IS BI-DIRECTIONAL (NO FLOW ARROW).

LIST OF PARTS

ITEM	DESCRIPTION	MATERIAL	QTY.
1	BODY, FLANGED RUBBER LINED	-	1
* 2	DIAPHRAGM	-	1
3	BONNET, ADAPTER	-	1
4	HEX, CAP SCREWS OR STUDS	-	SEE CHARTS
5	NUTS	-	SEE CHARTS
6	COMPRESSOR	C.I. A-126, CL. B	1
7	PIN, SPIROL	STN. STL. TYPE 302	1
○ 8	FITTING, LUBE	-	AR
9	SPINDLE, VALVE	STN. STL. A-582, TYPE 303	1
* 10	O-RING #238	BUNA-N	1
11	NUT, ADAPTER BUSHING	D.I.	AR
* 12	O-RING #214	BUNA-N	AR
13	COVER, LOWER	ALUMINUM	1
* 14	DIAPHRAGM, AIR MOTOR	BUNA-N	1
15	COVER, UPPER	ALUMINUM	1
16	PLATE, ACTUATOR	D.I. A-536	2
17	GASKET	SILICONE	1
18	SCREW, HEX HD. CAP	CAR. STL.	24
19	NUT, HEX	CAR. STL.	24
20	SPINDLE, VALVE YOKE	STN. STL.	1
21	YOKE	D.I. A-395, GR. 60-40-18	1
22	COUPLING	STN. STL. A-240 300	1
23	SCREW, HEX HD. CAP	CAR. STL.	2
24	NUT, HEX	CAR. STL.	2
25	SCALE, INDICATING	STN. STL.	1
26	BUSHING, ADAPTER	-	AR
27	SPINDLE, ACTUATOR	STN. STL. A-564	1
‡ 28	PLUG, VENT	STN STL TYPE 416	1
29	INSERT	CAR. STL.	1
30	SPACER, STOP COLLAR	CAR. STL.	1
31	SCREW, DRIVE TYPE U	CAR. STL. SAE GR 2	2
32	SPRING #96	CAR. STL. A-689	1
33	SPINDLE EXTENSION ASSEMBLY	-	1
34	BUSHING, ADJUSTING	D.I.	1
35	PLATE, SPRING	CAR. STL. A-689	1
36	NUT, HEX JAM	CAR. STL.	1
37	SCREW, HEX HD CAP	CAR. STL.	8
38	WASHER, SPRINGLOCK	CAR. STL.	8
39	ASSEMBLY, SPRING CASE	CAR. STL.	1
40	SCREW, HEX HD CAP	CAR. STL.	8
41	NUT, HEX	CAR. STL.	8
42	PLUG, PIPE	PLASTIC	1
△ 43	WASHER, IMPACT	STL AISI 4140	2
44	CAP	D.I., A395 GR. 60-40-18	1
45	SCREW, MACHINE FILLISTER HD.	STN STL 18-8	1
46	MAGNET	-	1
47	RING, RETAINING	STEEL	1
* 48	O-RING #115	BUNA-N	1
49	SPACER, INDICATOR HOUSING	ALUMINUM B-211	1
* 50	O-RING #110	BUNA-N	2
51	HOUSING, INDICATOR	ALUMINUM B-26	1
52	ROD, INDICATOR	ALUMINUM B-211	1
53	TUBE, INDICATOR	PLASTIC	1
54	SCREW, DRIVE	CAR. STL.	2
55	PLATE, INDICATOR	CAR. STL.	1
56	PLUG, PIPE	CAR. STL A-181 GR 1	1
△ 57	SCREW, SET SDC HD	A.S.	1
△ 58	BUSHING, BONNET	BRZ.	1

UNLESS OTHERWISE SPECIFIED, DIMENSIONS NOT SHOWN IN BRACKETS [ ] ARE IN INCHES. DIMENSIONS SHOWN IN BRACKETS [ ] ARE IN MILLIMETERS.

ENGRD VALVES ORDER: -	ITEM: -	THIRD ANGLE PROJECTION	DATE	BY	VALVE ASSEMBLY
FIGURE NO.: -			OWN 9/30/08	DJS	STRAIGHTWAY 02.50 - 08.00
CUSTOMER: -			CHKD 9/30/08	STD	#101 THRU #250 DIRECT ACT
CUSTOMER P.D.: -			APVD 9/30/08	STD	WITH FLANGED ENDS
		ALL DIMENSIONS SHOWN ON THIS DRAWING ARE FOR REFERENCE ONLY			RUBBER LINED
					MASTER DWG: 009728-2/2/- ECN# 12238
					ISSUED BY: - CERT BY: -



Engineered Valves  
www.engvalves.com

000000-000 SHEET 2 OF 2 REV -