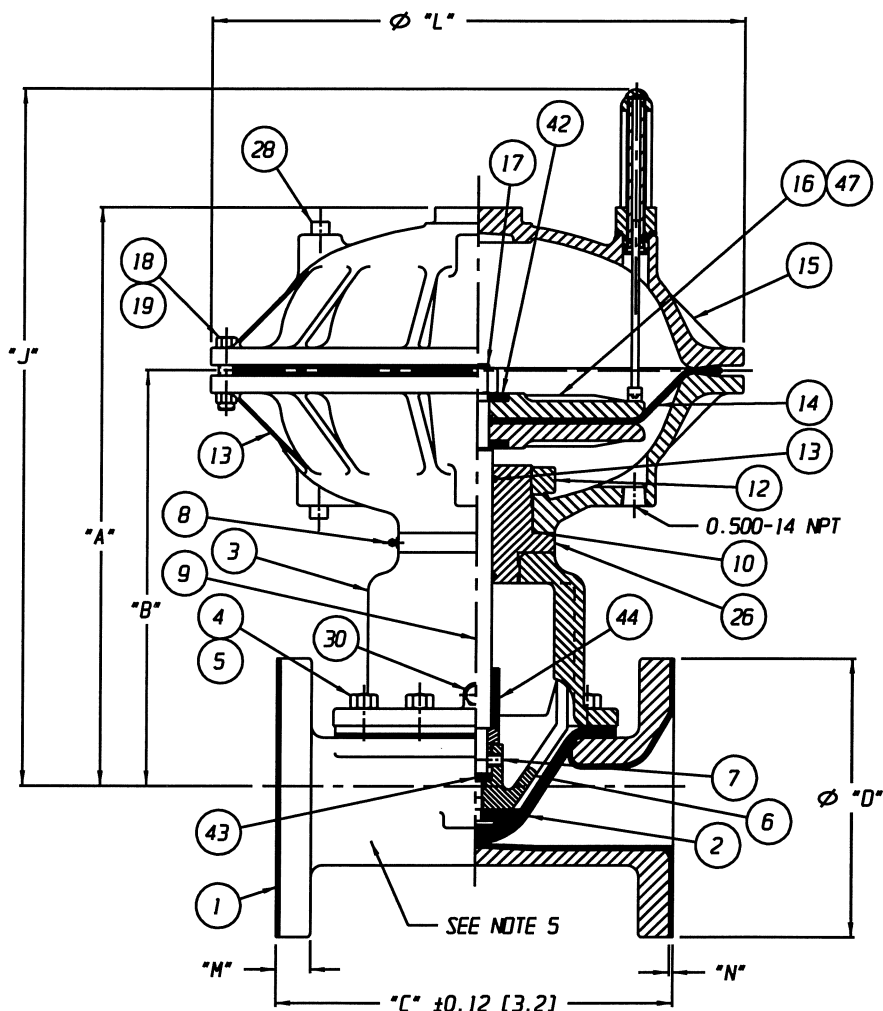
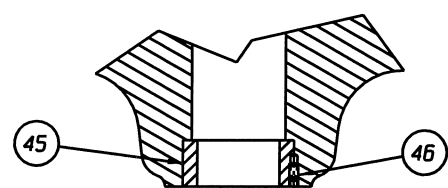


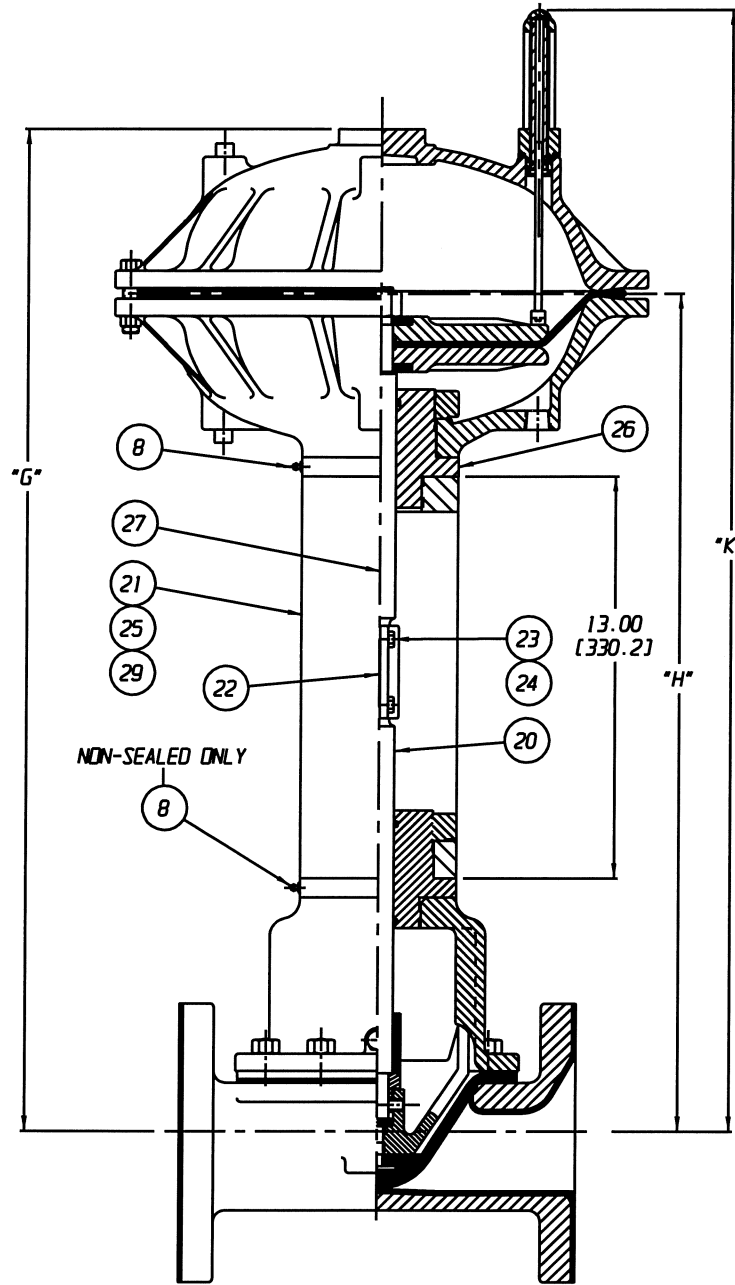
- NOTES:**  
 1. POSITION INDICATOR IS SHOWN 90° FROM TRUE POSITION  
 2. ITEM 8 (FITTING, LUBE) IS FOR NON-SEALED ONLY ON CLOSE COUPLED ASSEMBLIES.



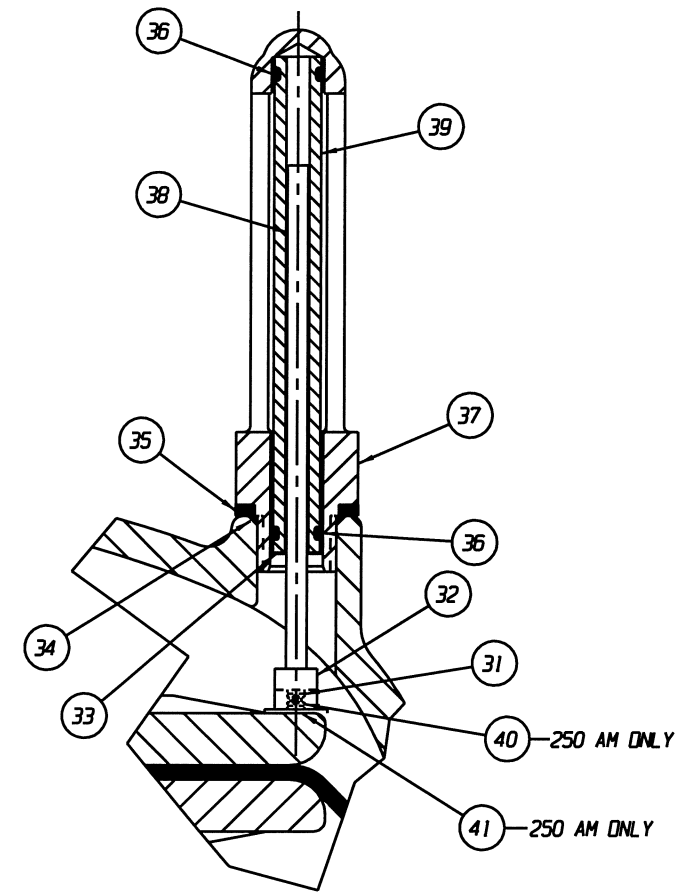
**CLOSE COUPLED**



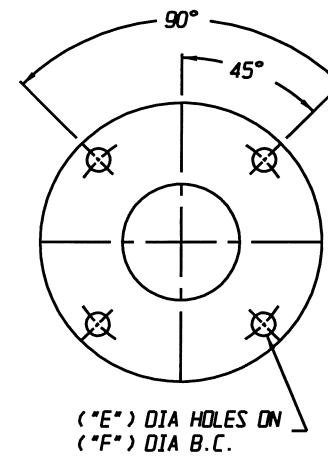
**DETAIL: 08.00 BONNET  
 #250 AIR MOTOR ONLY**



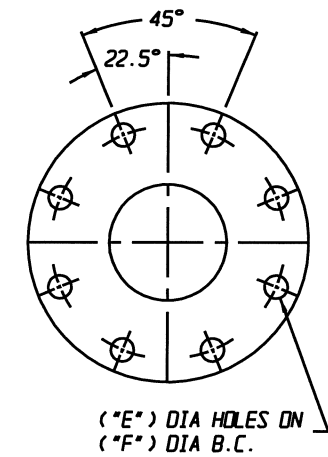
**YOKE MOUNTED**



**DETAIL: POSITION INDICATOR  
 (OPTIONAL)**


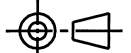


**3.00 FLANGE**



**04.00 - 08.00 FLANGE**

UNLESS OTHERWISE SPECIFIED, DIMENSIONS NOT SHOWN IN BRACKETS [ ] ARE IN INCHES. DIMENSIONS SHOWN IN BRACKETS [ ] ARE IN MILLIMETERS.

ENGRD VALVES ORDER: -	ITEM: -	THIRD ANGLE PROJECTION	DATE	BY	VALVE ASSEMBLY	 <b>ITT</b> <small>Engineered Valves www.engvalves.com</small>						
FIGURE NO.: -			DWN 10/15/09	DJS	STRAIGHTWAY 03.00 - 08.00							
CUSTOMER: -			CHKD 10/15/09	STD	#101 THRU #250 DOUBLE ACT							
CUSTOMER P.O.: -			APVD 10/15/09	STD	WITH FLANGED ENDS RUBBER LINED							
ALL DIMENSIONS SHOWN ON THIS DRAWING ARE FOR REFERENCE ONLY			MASTER DWG: 009803-1/2/-	ECN# 12733	ISSUED BY: -	<table border="1"> <tr> <td>000000-000</td> <td>SHEET</td> <td>REV</td> </tr> <tr> <td>1 OF 2</td> <td>1</td> <td>2</td> </tr> </table>	000000-000	SHEET	REV	1 OF 2	1	2
000000-000	SHEET	REV										
1 OF 2	1	2										

# 101 AIR MOTOR

VALVE SIZE	'A'	'B'	'C'	'D' DIA	'E' DIA	'F' DIA	'G'	'H'	'J'	'K'	'L'	'M'	'N'	QTY. BONNET CAP SCREWS STUDS/NUTS
03.00	17.95 [455.9]	12.68 [322.1]	10.25 [260.4]	7.50 [190.5]	0.75 [19.0]	6.00 [152.4]	31.57 [801.9]	26.30 [668.0]	21.78 [553.2]	35.40 [899.2]	17.12 [434.8]	0.92 [23.4]	0.12 [3.0]	6
04.00	18.97 [481.8]	13.70 [348.0]	12.88 [327.2]	9.00 [228.6]	0.75 [19.0]	7.50 [190.5]	32.59 [827.8]	27.32 [693.9]	22.80 [579.1]	36.42 [925.1]		1.11 [28.2]	0.12 [3.0]	8
06.00	22.30 [566.4]	17.03 [432.6]	16.38 [416.1]	11.00 [279.4]	0.88 [22.3]	9.50 [241.3]	35.92 [912.4]	30.65 [778.5]	26.13 [663.7]	39.75 [1009.7]		1.24 [31.5]	0.19 [4.8]	8

# 130 AIR MOTOR

VALVE SIZE	'A'	'B'	'C'	'D' DIA	'E' DIA	'F' DIA	'G'	'H'	'J'	'K'	'L'	'M'	'N'	QTY. BONNET CAP SCREWS STUDS/NUTS
03.00	17.95 [455.9]	12.49 [317.2]	10.25 [260.4]	7.50 [190.5]	0.75 [19.0]	6.00 [152.4]	31.57 [801.9]	26.10 [662.9]	21.61 [548.9]	35.23 [894.8]	19.00 [482.6]	0.92 [23.4]	0.12 [3.0]	6
04.00	18.97 [481.8]	13.51 [343.2]	12.88 [327.2]	9.00 [228.6]	0.75 [19.0]	7.50 [190.5]	32.59 [827.8]	27.13 [689.1]	22.63 [574.8]	36.25 [920.8]		1.11 [28.2]	0.12 [3.0]	8
06.00	22.30 [566.4]	16.84 [427.7]	16.38 [416.1]	11.00 [279.4]	0.88 [22.3]	9.50 [241.3]	35.92 [912.4]	30.46 [773.7]	25.96 [659.4]	39.58 [1005.3]		1.24 [31.5]	0.19 [4.8]	8

# 250 AIR MOTOR


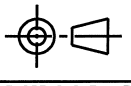
VALVE SIZE	'A'	'B'	'C'	'D' DIA	'E' DIA	'F' DIA	'G'	'H'	'J'	'K'	'L'	'M'	'N'	QTY. BONNET CAP SCREWS STUDS/NUTS
03.00	22.07 [560.6]	14.49 [368.0]	10.25 [260.4]	7.50 [190.5]	0.75 [19.0]	6.00 [152.4]	35.69 [906.5]	28.11 [714.0]	26.30 [668.0]	39.92 [1014.0]	23.88 [606.5]	0.92 [23.4]	0.12 [3.0]	6
04.00	23.09 [586.5]	15.51 [394.0]	12.88 [327.2]	9.00 [228.6]	0.75 [19.0]	7.50 [190.5]	36.71 [932.4]	29.13 [739.9]	27.32 [693.9]	40.94 [1039.9]		1.11 [28.2]	0.12 [3.0]	8
06.00	26.42 [671.1]	18.84 [478.5]	16.38 [416.1]	11.00 [279.4]	0.88 [22.3]	9.50 [241.3]	40.04 [1017.0]	32.46 [824.5]	30.65 [778.5]	44.27 [1124.5]		1.24 [31.5]	0.19 [4.8]	8
08.00	31.18 [792.0]	23.60 [599.4]	20.88 [530.4]	13.50 [342.9]	0.88 [22.4]	11.75 [298.4]	44.80 [1137.9]	37.22 [945.4]	35.41 [899.4]	49.03 [1245.4]		1.36 [34.5]	0.19 [4.8]	12

NOTE:  
 Δ 1. USED ONLY WITH #250 AIR MOTOR, 08.00 SIZE.  
 \* 2. RECOMMENDED SPARE PARTS.  
 † 3. SEALED BONNET ONLY.  
 † 4. UNSEALED BONNET ONLY.  
 † 5. VALVE IS BI-DIRECTIONAL (NO FLOW ARROW).  
 † 6. USED ONLY WITH #250 AIR MOTOR.

LIST OF PARTS

ITEM	DESCRIPTION	MATERIAL	QTY.
1	BODY, FLANGED RUBBER LINED	-	1
2	DIAPHRAGM	-	1
3	BONNET, ADAPTER	-	1
4	STUDS	-	SEE CHARTS
5	NUTS	-	SEE CHARTS
6	COMPRESSOR	C.I. A-126, CL. B	1
7	PIN, SPIRDL	STN. STL. TYPE 302	1
8	FITTING, LUBE	-	AR
9	SPINDLE, VALVE	STN. STL. A-564, 630 H900	1
10	O-RING #238	BUNA-N	1
11	NUT, ADAPTER BUSHING	D.I.	AR
12	O-RING #214	BUNA-N	AR
13	COVER, LOWER	ALUMINUM	1
14	DIAPHRAGM, AIR MOTOR	BUNA-N	1
15	COVER, UPPER	ALUMINUM	1
16	PLATE, ACTUATOR AM 101 & 130	D.I. A-536	2
17	NUT, HEAVY HEX.	CAR. STL.	1
18	SCREW, HEX HD. CAP	CAR. STL.	24
19	NUT, HEX	CAR. STL.	24
20	SPINDLE, VALVE YOKE	STN. STL.	1
21	YOKE	D.I. A-395, GR. 60-40-18	1
22	COUPLING, HALF	STN. STL. A-351, GR. CFB	2
23	SCREW, HEX HD. CAP	CAR. STL.	2
24	NUT, HEX	CAR. STL.	2
25	SCALE, INDICATING	STN. STL.	1
26	BUSHING, ADAPTER	D.I. A-395, GR. 60-40-18	AR
27	SPINDLE, ACTUATOR	STN. STL. A-564	1
28	PLUG, PIPE	CAR. ST. A-181, GR. 1	2
29	SCREW, DRIVE TYPE U	CAR. STL. SAE GR. 2	2
30	PLUG, VENT	STN. STL. TYPE 416	1
31	SCREW, MACHINE FILLISTER HD.	STN. STL. 18-8	1
32	MAGNET, U-181	-	1
33	RING, RETAINING	STEEL	1
34	O-RING #115	BUNA-N	1
35	SPACER, INDICATOR HOUSING	ALUMINUM B-211	1
36	O-RING #110	BUNA-N	2
37	HOUSING, INDICATOR	ALUMINUM B-26	1
38	ROD, INDICATOR	ALUMINUM B-211	1
39	TUBE, INDICATOR	PLASTIC	1
40	SCREW, DRIVE	CAR. STL.	2
41	PLATE, INDICATOR	CAR. STL.	1
42	WASHER, IMPACT	STEEL, AISI 4140	2
43	INSERT	-	1
44	SPACER, STOP COLLAR	CAR. STL. 12L14	1
45	BUSHING, BONNET	BRZ.	1
46	SCREW, SET SOC. HD.	A.S.	1
47	PLATE, ACTUATOR AM 250	ALUMINUM	2

UNLESS OTHERWISE SPECIFIED, DIMENSIONS NOT SHOWN IN BRACKETS [ ] ARE IN INCHES. DIMENSIONS SHOWN IN BRACKETS [ ] ARE IN MILLIMETERS.

ENGRD VALVES ORDER: -	ITEM: -	THIRD ANGLE PROJECTION	DATE	BY	VALVE ASSEMBLY STRAIGHTWAY 03.00 - 08.00 #101 THRU #250 DOUBLE ACT WITH FLANGED ENDS RUBBER LINED	 Engineered Valves www.engvalves.com
FIGURE NO. : -			DWN 10/15/09	DJS		
CUSTOMER: -			CHKD 10/15/09	STD		000000-000 SHEET 2 OF 2 REV - MASTER DWG: 009803-2/2- ECN# 12733 ISSUED BY: - CERT BY: -
CUSTOMER P.O. : -		ALL DIMENSIONS SHOWN ON THIS DRAWING ARE FOR REFERENCE ONLY	APVD 10/15/09	STD		