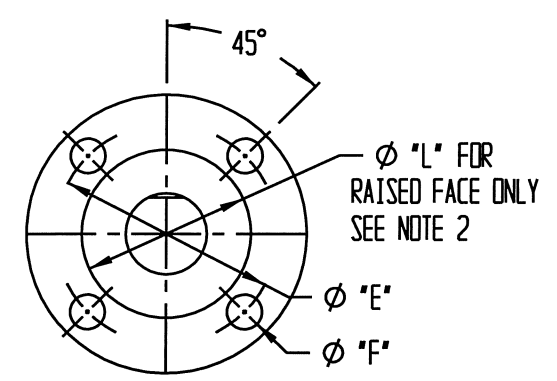
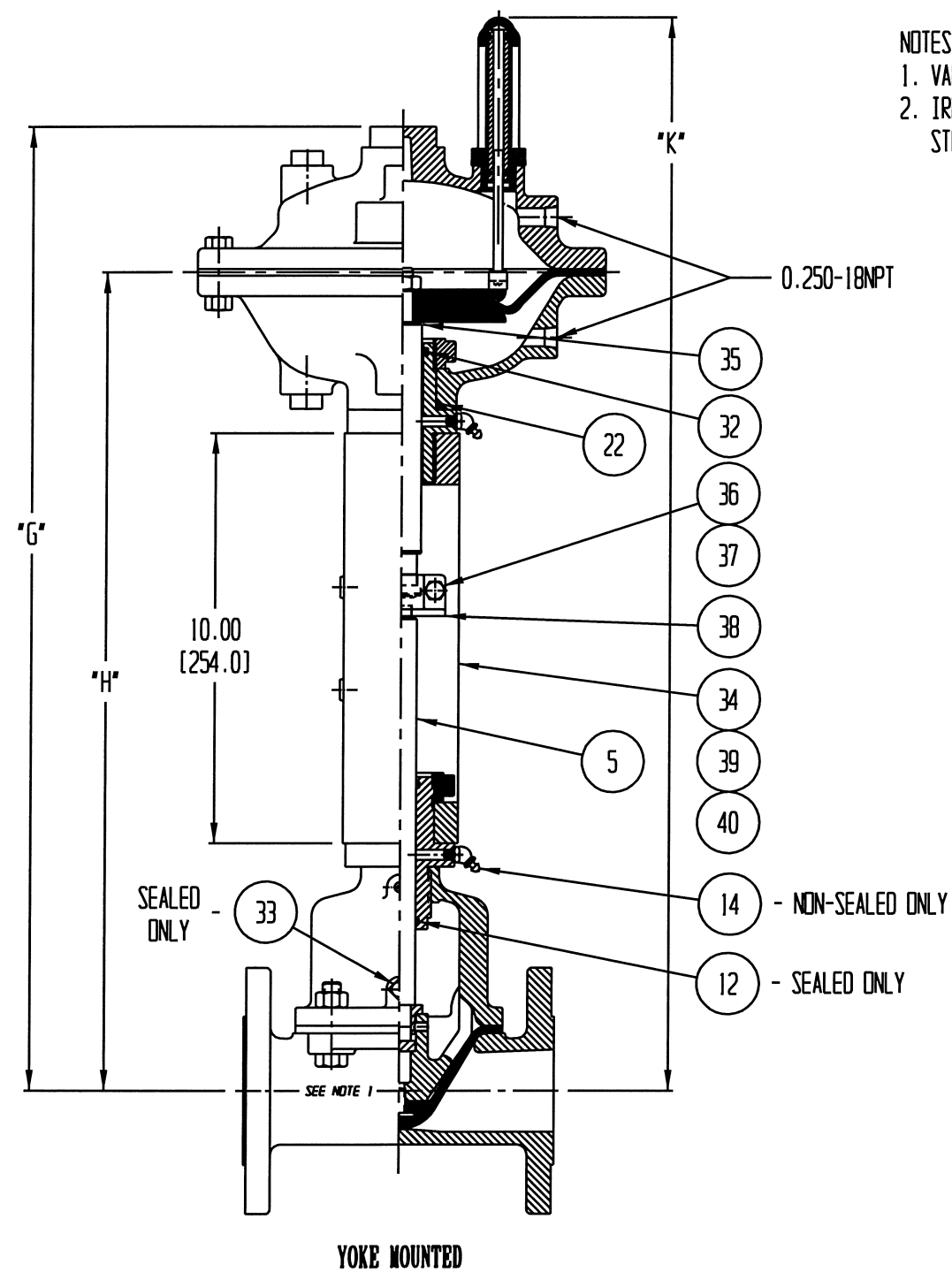
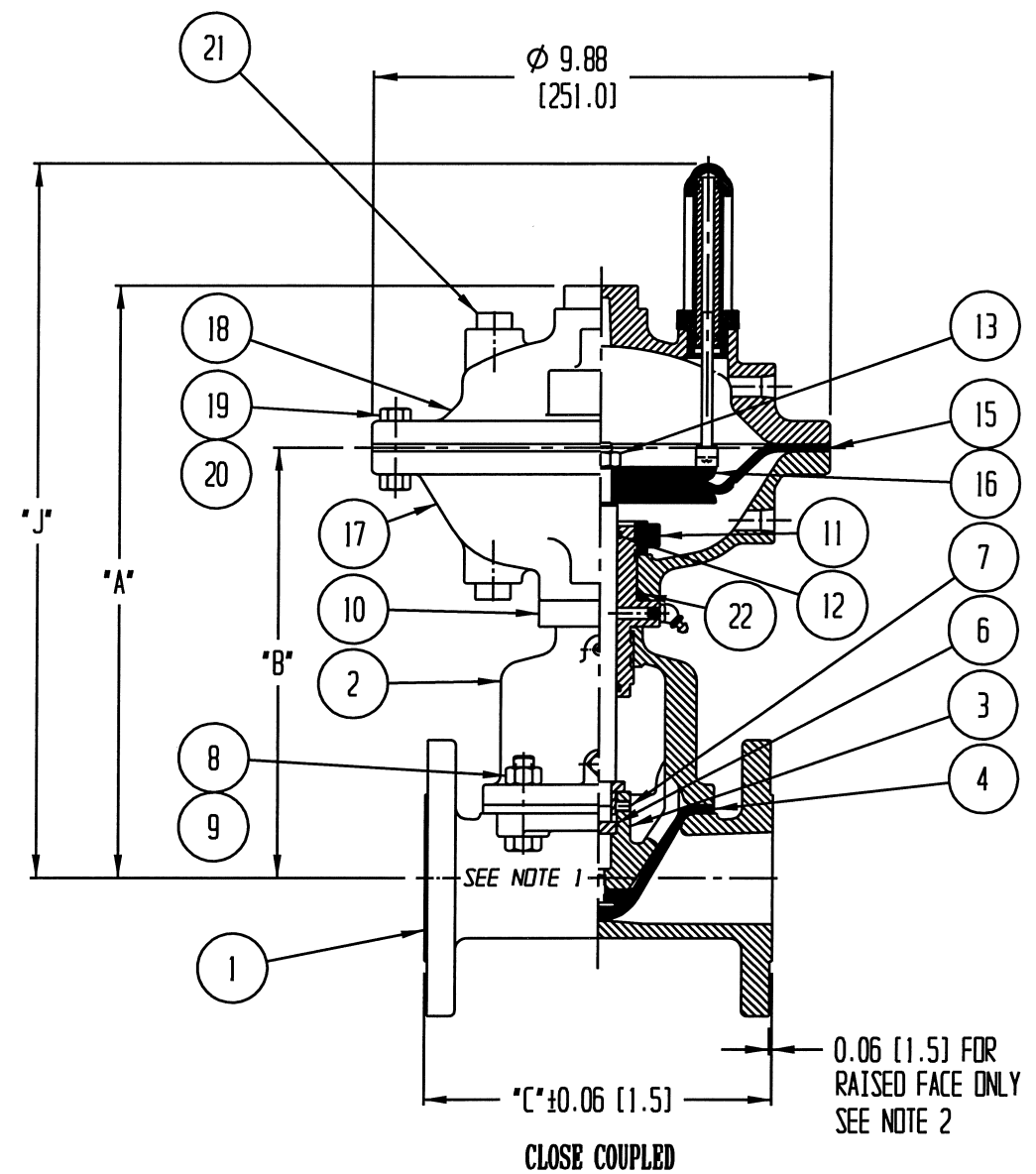

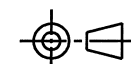


NOTES:
 1. VALVE IS BI-DIRECTIONAL (NO FLOW ARROW).
 2. IRON BODIES HAVE FLAT FACED END FLANGES, STEEL HAVE RAISED FACE.

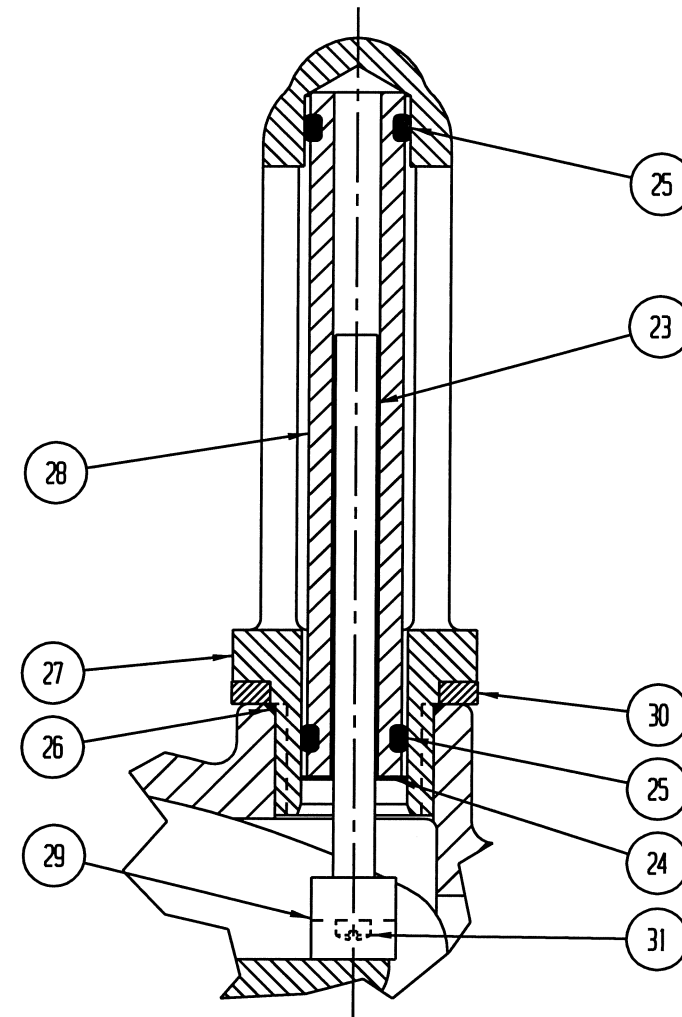
POSITION INDICATOR IS SHOWN 180° FROM TRUE POSITION



UNLESS OTHERWISE SPECIFIED, DIMENSIONS NOT SHOWN IN BRACKETS [] ARE IN INCHES. DIMENSIONS SHOWN IN BRACKETS [] ARE IN MILLIMETERS.

ENGRD VALVES ORDER: -	ITEM: -	THIRD ANGLE PROJECTION	DATE	BY	VALVE ASSEMBLY	 ITT Engineered Valves www.engvalves.com
FIGURE NO.: -			DWN 11/02/09	DJS	STRAIGHTWAY 01.00 - 02.50	
CUSTOMER: -			CHKD 11/02/09	STD	#25 DOUBLE ACTUATOR	D 000000-000 SHEET 1 OF 2 REV - MASTER DWG: 009808-1/2/- IECN# 12759 ISSUED BY: - [CERT BY: -]
CUSTOMER P.O.: -			APVD 11/02/09	STD	W/FLANGED ENDS UNLINED	

VALVE SIZE	"A"	"B"	"C"	"D" DIA	"E" DIA	"F" DIA	"G"	"H"	"J"	"K"	"L"	O-RING
01.00	11.08 [281.4]	7.56 [192.0]	5.50 [139.7]	4.25 [108.0]	3.12 [79.2]	0.63 [16.0]	21.65 [549.9]	18.13 [460.5]	13.73 [348.7]	24.30 [617.2]	2.00 [50.8]	#116
01.50	11.92 [302.8]	8.40 [213.4]	6.50 [165.1]	5.00 [127.0]	3.88 [98.6]	0.63 [16.0]	22.49 [571.2]	18.97 [478.8]	14.57 [370.1]	25.14 [638.6]	2.88 [73.2]	
02.00	12.95 [328.9]	9.43 [239.5]	7.50 [190.5]	6.00 [152.4]	4.75 [120.7]	0.75 [19.1]	23.52 [597.4]	20.00 [508.0]	15.60 [396.2]	26.17 [664.7]	3.62 [91.9]	
02.50	14.13 [358.9]	10.61 [269.5]	8.50 [215.9]	7.00 [177.8]	5.50 [139.7]	0.75 [19.1]	24.70 [627.4]	21.18 [538.0]	16.78 [426.2]	27.35 [694.7]	4.12 [104.6]	#214


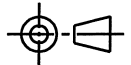


**DETAIL
POSITION INDICATOR
(OPTIONAL)**

LIST OF PARTS			
ITEM	DESCRIPTION	MATERIAL	QTY.
1	BODY, PLASTIC LINED	-	1
2	BONNET	-	1
3	COMPRESSOR	C.I.	1
* 4	DIAPHRAGM	-	1
5	SPINDLE, VALVE	STN. STL.	1
6	INSERT	C. STL.	1
7	PIN, SPIROL	STN. STL.	1
8	CAPSCREW	-	4
9	NUT, HEX	-	4
10	BUSHING, ADAPTER	C. STL.	AR
11	NUT, ADAPTER BUSHING	D.I.	AR
* 12	O-RING (SEE CHART)	BUNA-N (FOA)	AR
13	NUT, HEX JAM	C. STL.	1
14	LUBE, FITTING	-	AR
* 15	DIAPHRAGM, AIR MOTOR	BUNA-N	1
16	PLATE, ACTUATOR	C.I.	2
17	COVER, LOWER	ALUMINUM	1
18	COVER, UPPER	ALUMINUM	1
19	NUT, HEX	C. STL.	9
20	CAPSCREW, HEX	C. STL.	9
21	PLUG, PIPE SQ HD	C. STL.	2
22	O-RING #326	BUNA-N (FOA)	1
23	ROD, INDICATOR	ALUMINUM	1
24	RING, RETAINING	STEEL	1
* 25	O-RING #110	BUNA-N (FOA)	2
* 26	O-RING #115	BUNA-N (FOA)	1
27	HOUSING, INDICATOR	ALUMINUM	1
28	TUBE, INDICATOR	PLASTIC	1
29	MAGNET, U-181	-	1
30	SPACER, INDICATOR HOUSING	ALUMINUM	1
31	SCREW, MACHINE FILLISTER HD	STN. STL.	1
* 32	O-RING #214	BUNA-N (FOA)	1
33	PLUG, VENT	STN. STL.	1
34	YOKE	D.I.	1
35	SPINDLE, ACTUATOR	STN. STL.	1
36	SCREW, CAP HEX	C. STL.	2
37	NUT, HEX	C. STL.	2
38	COUPLING, HALF	STN. STL.	1
39	SCALE, INDICATOR	STN. STL.	1
40	SCREW, DRIVE	C. STL.	2

*RECOMMENDED SPARE PARTS

UNLESS OTHERWISE SPECIFIED, DIMENSIONS NOT SHOWN IN BRACKETS [] ARE IN INCHES. DIMENSIONS SHOWN IN BRACKETS [] ARE IN MILLIMETERS.

ENGRD VALVES ORDER: - _____	ITEM: - _____	THIRD ANGLE PROJECTION	DATE	BY	VALVE ASSEMBLY	 ITT Engineered Valves www.engvalves.com
FIGURE NO.: - _____			DWN 11/02/09	DJS	STRAIGHTWAY 01.00 - 02.50	
CUSTOMER: - _____			CHKD 11/02/09	STD	#25 DOUBLE ACTUATOR	
CUSTOMER P.O.: - _____			APVD 11/02/09	STD	W/FLANGED ENDS UNLINED	
ALL DIMENSIONS SHOWN ON THIS DRAWING ARE FOR REFERENCE ONLY			MASTER DWG: 009808-2/2/-		IECN# 12759	ISSUED BY: - _____
					000000-000	SHEET 2 OF 2 REV -