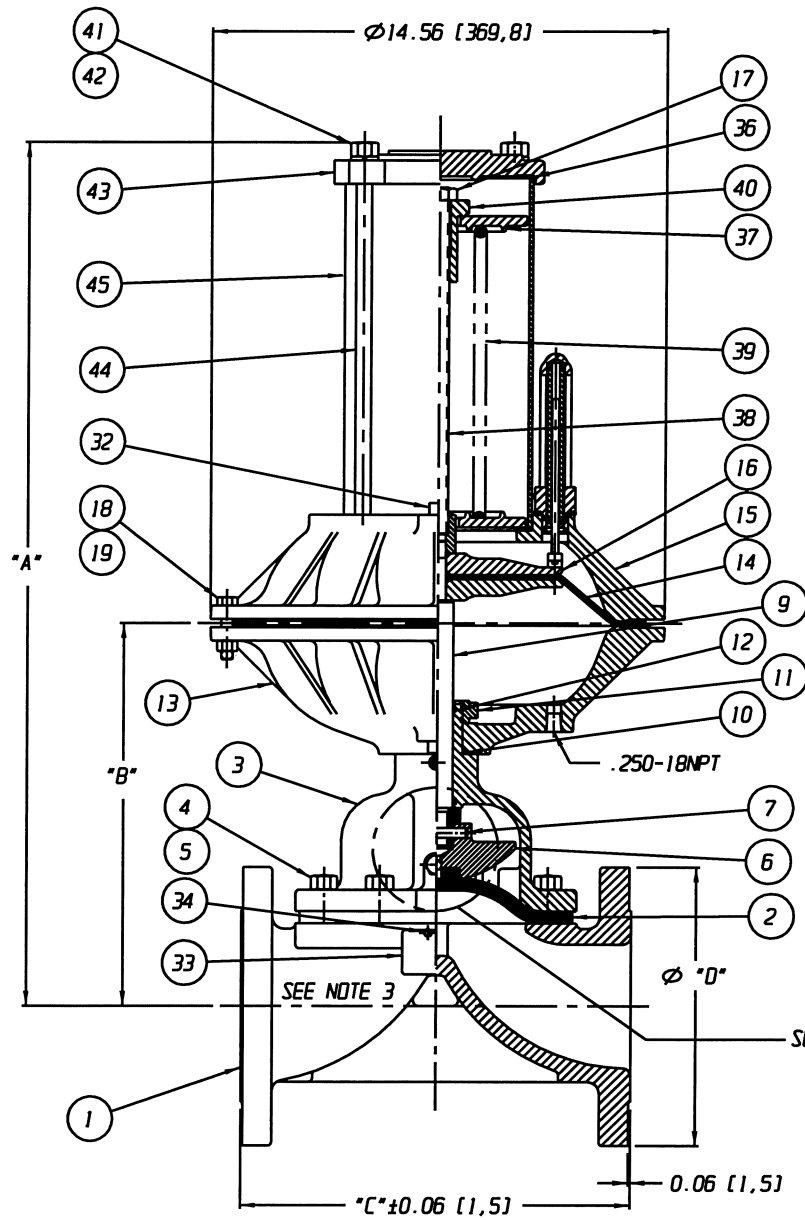
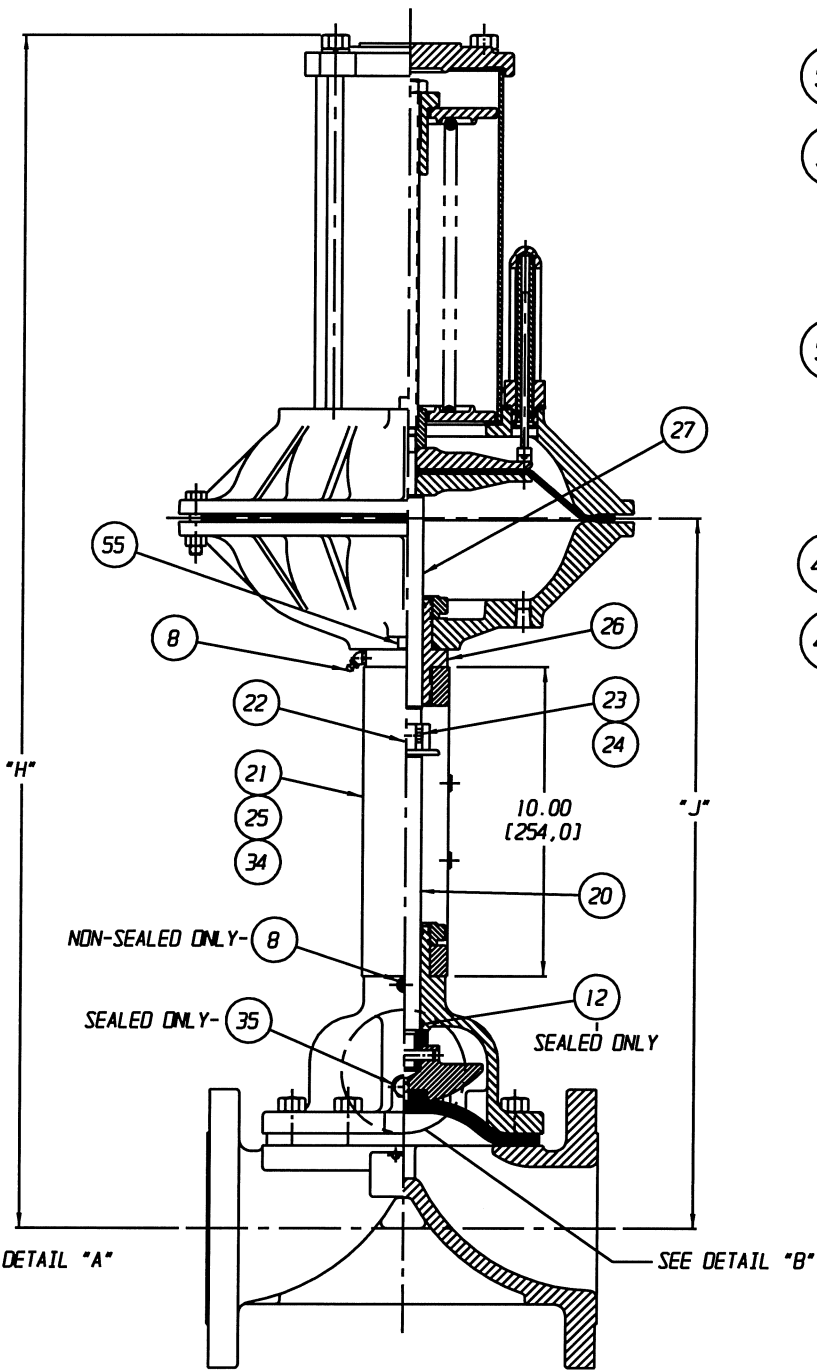


POSITION INDICATOR IS SHOWN 90° FROM TRUE POSITION



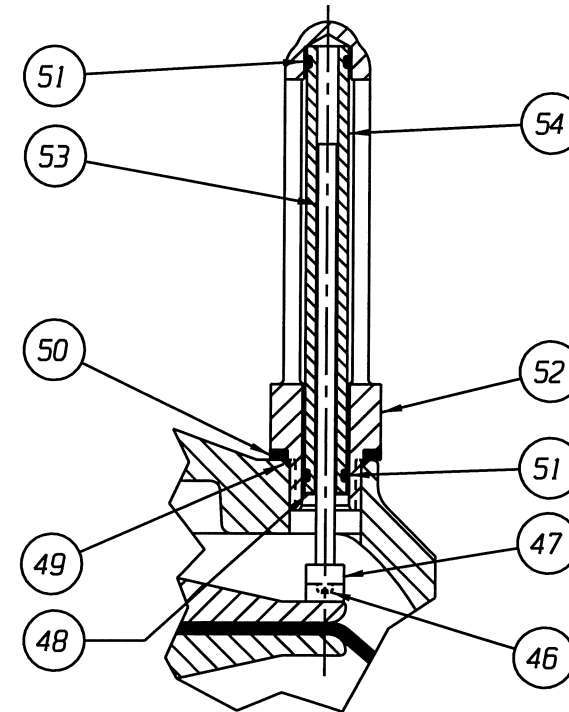
CLOSE COUPLED

FURNISHED



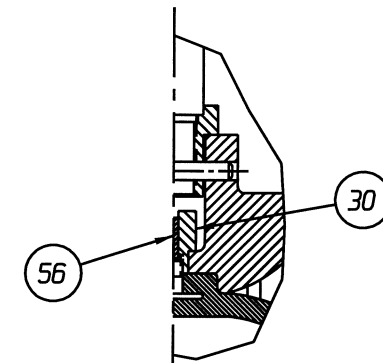
YOKE MOUNTED

FURNISHED



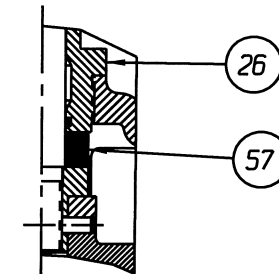
DETAIL: POSITION INDICATOR (OPTIONAL)

FURNISHED



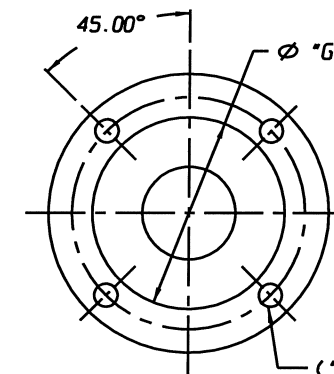
DETAIL "A" WEIR 06.00

FURNISHED



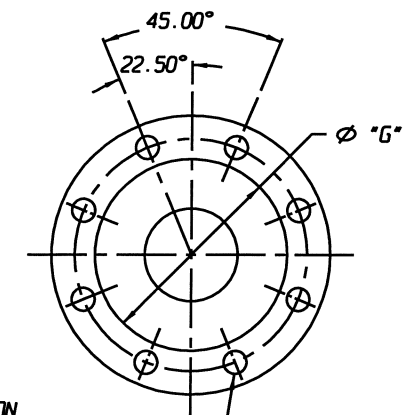
DETAIL "B" YOKE MOUNT, WEIR 06.00

FURNISHED



01.25 - 03.00 FLANGE


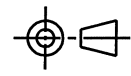
FURNISHED



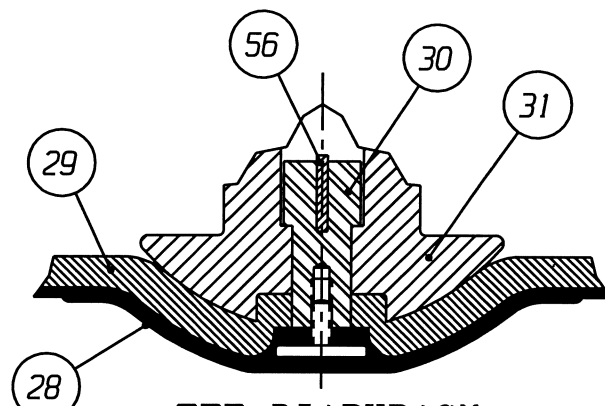
04.00 & 06.00 FLANGE

FURNISHED

UNLESS OTHERWISE SPECIFIED, DIMENSIONS NOT SHOWN IN BRACKETS [] ARE IN INCHES. DIMENSIONS SHOWN IN BRACKETS [] ARE IN MILLIMETERS.

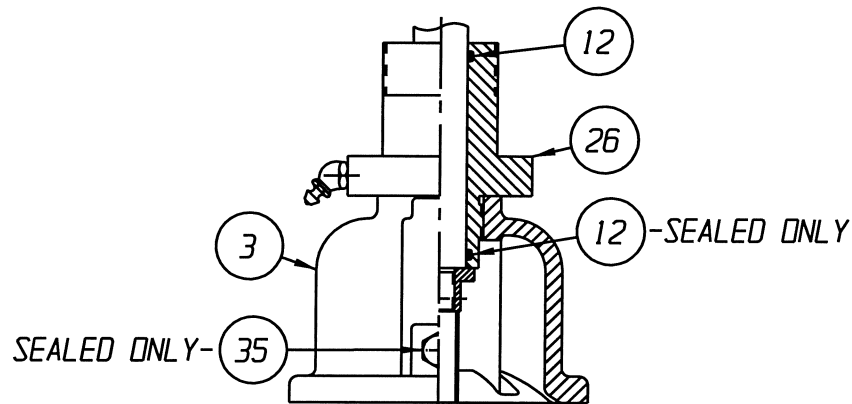
ENGRD VALVES ORDER: -	ITEM: -	THIRD ANGLE PROJECTION	DATE	BY	VALVE ASSEMBLY	 Engineered Valves www.engvalves.com
FIGURE NO.: -			DWN 01/18/10	DJS	WEIR 01.25 THRU 06.00	
CUSTOMER: -			CHKD 01/18/10	STD	#50 DIRECT ACTUATOR	
CUSTOMER P.O.: -			APVD 01/18/10	STO	WITH UNLINED FLANGED ENDS	
					RAISED FACE	000000-000
					MASTER DWG: 009824-1/2/-	1 OF 2
					TEC# 12879	REV -
					ISSUED BY: -	CERT BY: -

VALVE SIZE	'A'	'B'	'C'	'D' DIA	'E' DIA	'F' DIA	'G' DIA	'H'	'J'	QTY. BONNET CAP SCREWS STUDS/NUTS	O-RING (ITEM 12)
01.25	24.51 [622,6]	9.01 [228,9]	6.50 [165,1]	5.00 [127,0]	0.62 [15,7]	3.50 [88,9]	2.50 [63,5]	35.09 [891,3]	19.58 [497,3]	4	#116
01.50						3.88 [98,5]	2.88 [73,2]			4	
02.00	24.99 [634,7]	9.49 [241,0]	7.50 [190,5]	6.00 [152,4]	0.75 [19,0]	4.75 [120,6]	3.62 [91,9]	35.56 [903,2]	20.06 [509,5]	4	#214
02.50	26.02 [660,9]	10.52 [267,2]	8.50 [215,9]	7.00 [177,8]	0.75 [19,0]	5.50 [139,7]	4.12 [104,6]	36.59 [929,4]	21.09 [535,7]	4	
03.00	26.31 [668,3]	10.81 [274,6]	10.00 [254,0]	7.50 [190,5]	0.75 [19,0]	6.00 [152,4]	5.00 [127,0]	36.88 [936,8]	21.38 [543,1]	4	
04.00	27.73 [704,3]	12.23 [310,6]	12.50 [317,5]	9.00 [228,6]	0.75 [19,0]	7.50 [190,5]	6.19 [157,2]	38.30 [972,8]	22.80 [579,1]	8	
06.00	31.34 [796,0]	15.84 [402,3]	16.00 [406,4]	11.00 [279,4]	0.88 [22,3]	9.50 [241,3]	8.50 [215,9]	41.91 [1064,5]	26.41 [670,8]	10	



TFE DIAPHRAGM

FURNISHED



SEALED ONLY-

BONNET W/ADAPTER BUSHING
02.50, 06.00 DI BONNET (E/34)
01.25 - 06.00 SS BONNET (E/31)

FURNISHED

NOTE:

- ▲ 1. ITEM #56 USED ONLY WITH 6.00" VALVE ONLY.
- 2. ITEMS #57 USED WITH 6.00" YOKE MOUNTED VALVE ONLY.
- 3. VALVE IS BI-DIRECTIONAL (NO FLOW ARROW).

LIST OF PARTS			
ITEM	DESCRIPTION	MATERIAL	QTY.
1	BODY, FLANGED	-	1
2	DIAPHRAGM	-	1
3	BONNET, ADAPTER	-	1
4	HEX, CAP SCREWS OR STUDS	-	SEE CHARTS
5	NUTS	-	SEE CHARTS
6	COMPRESSOR, F/ ELASTOMER DIAPHRAGM	-	1
7	PIN, SPIROL	STN. STL. TYPE 302	1
8	FITTING, LUBE	-	1
9	SPINDLE, VALVE	STN. STL. A-582, TYPE 303	1
* 10	O-RING #326	BUNA-N	1
11	NUT, ADAPTER BUSHING	D.I.	AR
* 12	O-RING 'SEE CHART'	BUNA-N	AR
13	COVER, LOWER	ALUMINUM	1
* 14	DIAPHRAGM, AIR MOTOR	BUNA-N	1
15	COVER, UPPER	ALUMINUM	1
16	PLATE, ACTUATOR	C.I. A-126, CL. B	2
17	NUT, HEX JAM	CAR. STL.	1
18	SCREW, HEX HD. CAP	CAR. STL.	16
19	NUT, HEX	CAR. STL.	16
20	SPINDLE, VALVE YOKE	STN. STL. A-582, TYPE 303	1
21	YOKE	D.I. A-395, GR. 60-40-18	1
22	COUPLING, HALF	STN. STL. A-351, GR. CFB	2
23	SCREW, HEX HD. CAP	CAR. STL.	2
24	NUT, HEX	CAR. STL.	2
25	SCALE, INDICATING	STN. STL.	1
26	BUSHING, ADAPTER	-	AR
27	SPINDLE, ACTUATOR	STN. STL. A-582, TYPE 302	1
* 28	DIAPHRAGM, PTFE	R2	1
* 29	CUSHION, BACKING	ELASTOMER	1
30	NUT, TUBE	BRASS B-16, C36000 H02	1
31	COMPRESSOR, F/ PTFE DIAPHRAGM	-	1
32	PLUG, PIPE	CAR. STL. A-181, GR. 1	1
33	PLATE, IDENTIFICATION	STN. STL. A-240, TYPE 304	1
34	SCREW, DRIVE TYPE U	CAR. STL. SAE GR. 2	4
35	PLUG, VENT	STN. STL. TYPE 416	1
36	GASKET	BUNA-N	2
37	SEAT, SPRING	D.I. A-395, GR. 60-40-18	2
38	ROD, SPRING	CAR. STL. A-108, GR. 1008	1
39	SPRING NO. 102A	STEEL	1
40	BUSHING, ADJUSTING	D.I.	1
41	NUT, HEX.	STEEL	4
42	WASHER, SPRINGLOCK	STEEL	4
43	COVER, SPRING	D.I.	1
44	COLUMN	CAR. STL. A-108, GR. 12L14	4
45	HOUSING, SPRING	CAR. STL. A-513, TYPE 1 MT	1
46	SCREW, MACHINE FILLISTER HD.	STN. STL. 18-8	1
47	MAGNET, U-181	-	1
48	RING, RETAINING	STEEL	1
49	O-RING #115	BUNA-N	1
50	SPACER, INDICATOR HOUSING	ALUMINUM B-211	1
* 51	O-RING #110	BUNA-N	2
52	HOUSING, INDICATOR	ALUMINUM B-26	1
* 53	ROD, INDICATOR	ALUMINUM B-211	1
54	TUBE, INDICATOR	PLASTIC	1
55	PLUG, PIPE	PLASTIC	1
▲ 56	KEY, TUBE NUT	BRASS B-36, C26000	1
● 57	SPACER	CAR. STL. A-108 GR. 12L14	1

* RECOMMENDED SPARE PARTS

UNLESS OTHERWISE SPECIFIED, DIMENSIONS NOT SHOWN IN BRACKETS [] ARE IN INCHES. DIMENSIONS SHOWN IN BRACKETS [] ARE IN MILLIMETERS.

ENGRD VALVES ORDER: -	ITEM: -	THIRD ANGLE PROJECTION	DATE	BY	VALVE ASSEMBLY WEIR 01.25 THRU 06.00 #50 DIRECT ACTUATOR WITH UNLINED FLANGED ENDS RAISED FACE	 ITT Engineered Valves www.engvalves.com
FIGURE NO.: -			DWN 01/18/10	DJS		
CUSTOMER: -			CHKD 01/18/10	STO		
CUSTOMER P.O.: -			APVD 01/18/10	STO		
ALL DIMENSIONS SHOWN ON THIS DRAWING ARE FOR REFERENCE ONLY			MASTER DWG: 009824-2/2/-	ICEN# 12879	ISSUED BY: -	CERT BY: -
					000000-000	SHEET 2 OF 2