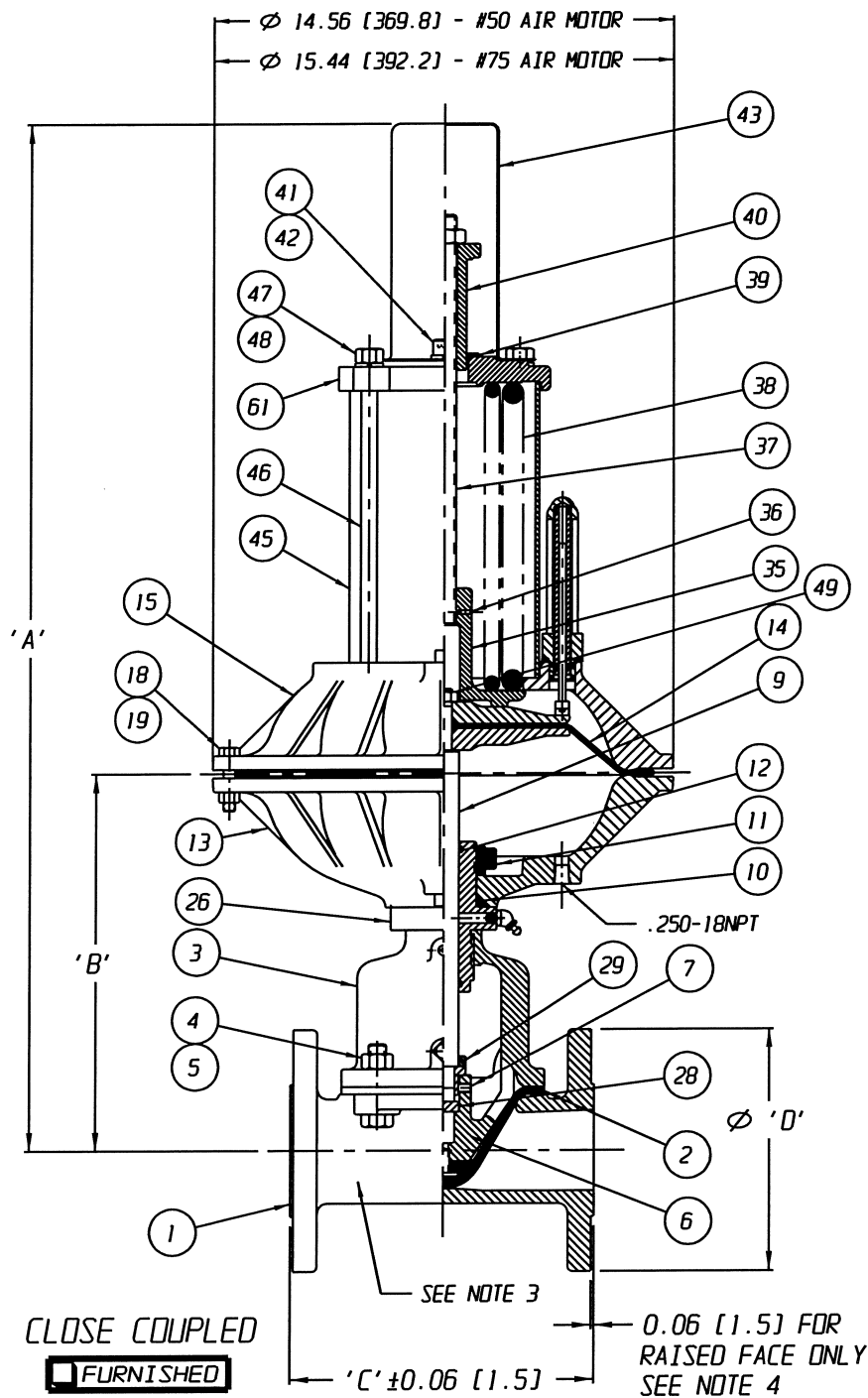
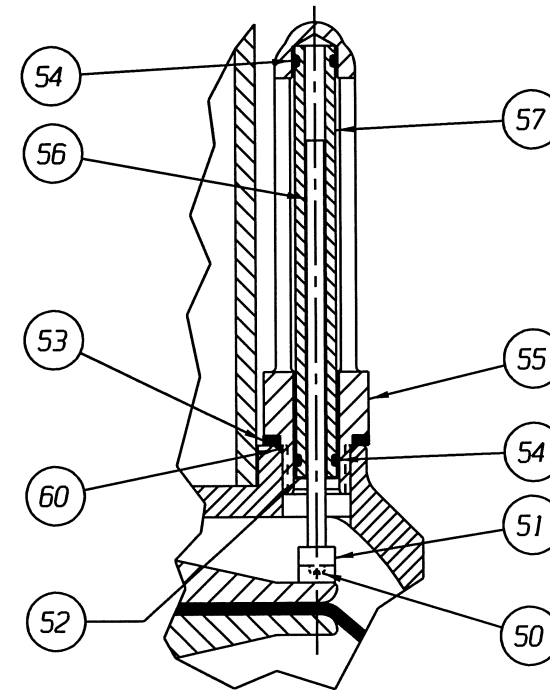
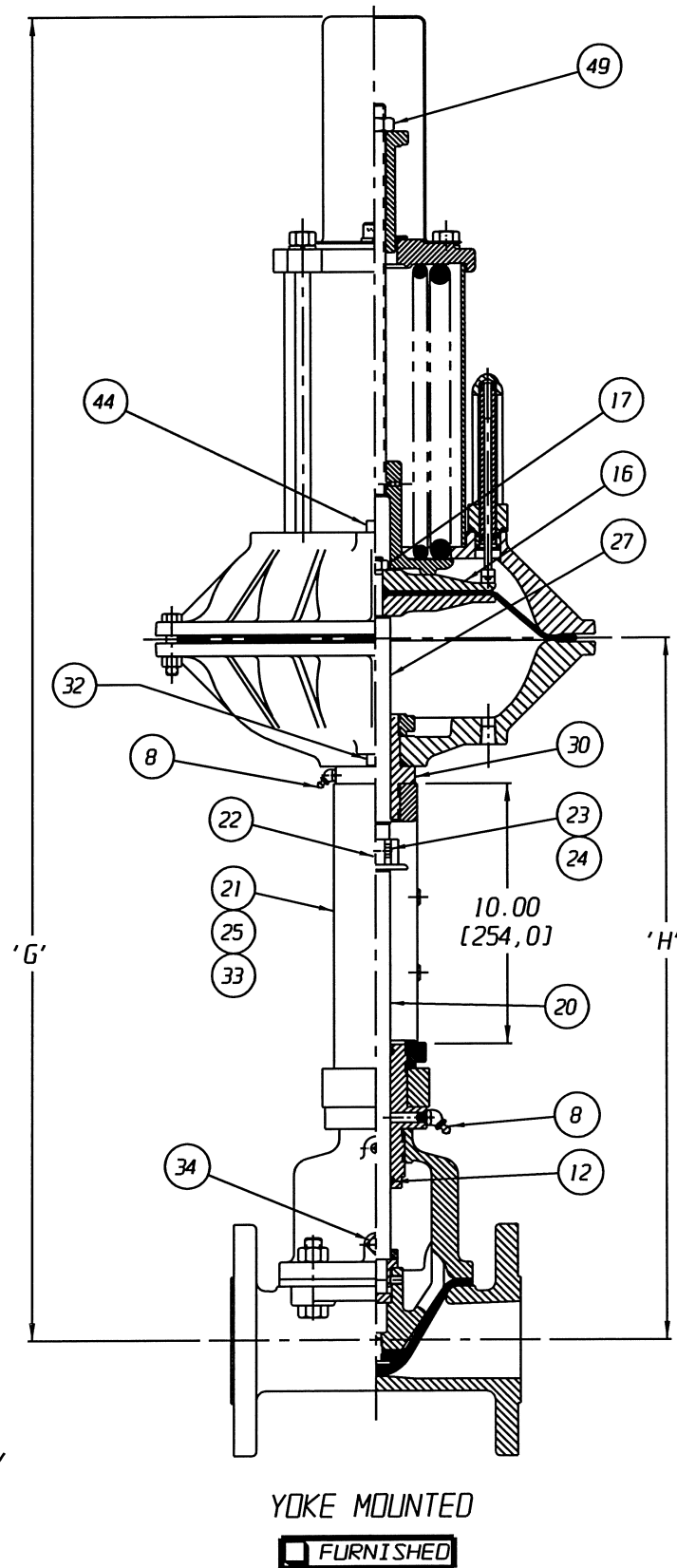


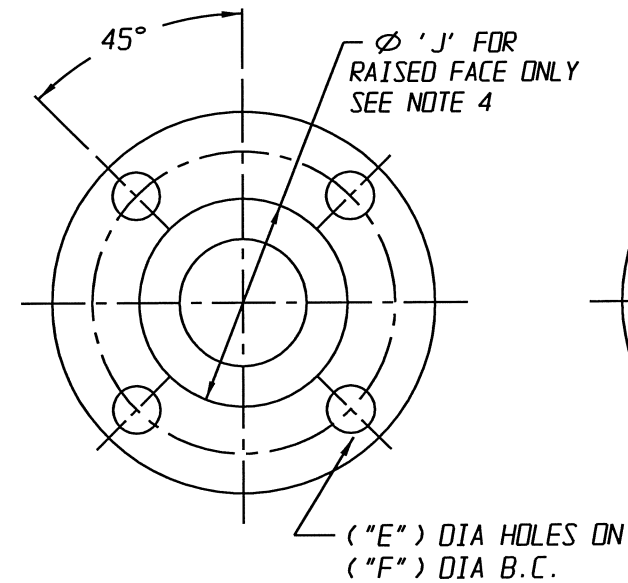
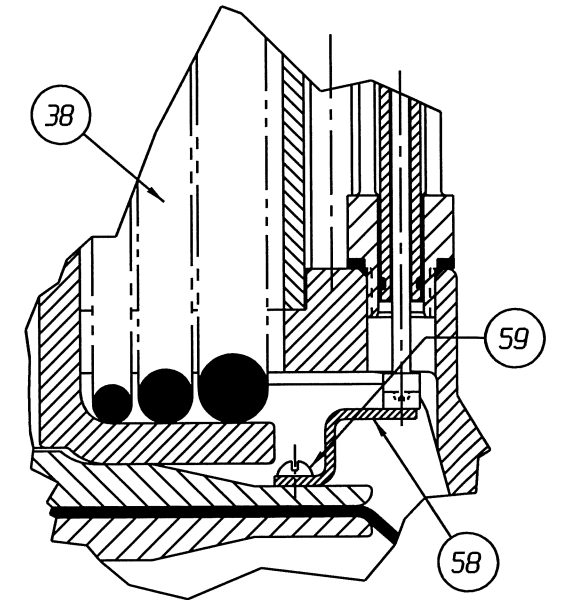
POSITION INDICATOR IS SHOWN 90° FROM TRUE POSITION



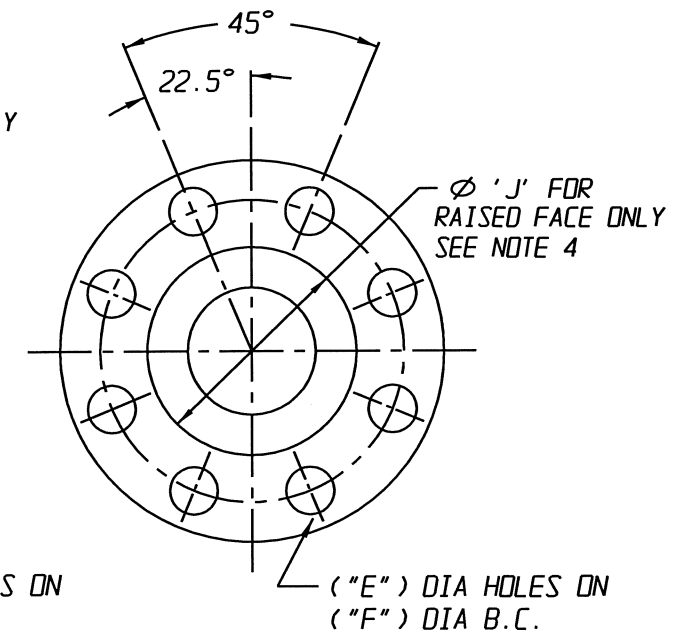
CLOSE COUPLED
 FURNISHED



DETAIL: POSITION INDICATOR # 75
 (OPTIONAL)



01.00 - 03.00 FLANGE
 FURNISHED



04.00 FLANGE
 FURNISHED

UNLESS OTHERWISE SPECIFIED, DIMENSIONS NOT SHOWN IN BRACKETS [] ARE IN INCHES. DIMENSIONS SHOWN IN BRACKETS [] ARE IN MILLIMETERS.

ENGRD VALVES ORDER: -	ITEM: -	THIRD ANGLE PROJECTION	DATE	BY	VALVE ASSEMBLY
FIGURE NO.: -			DWN 01/19/11	DJS	STRAIGHTWAY 01.00 - 04.00
CUSTOMER: -			CHKD 01/19/11	STD	#50 & #75 REVERSE ACTUATOR
CUSTOMER P.O.: -			APVD 01/19/11	STD	W/FLANGED ENDS UNLINED
			MASTER DWG: 009850-1/2/-		ECN# 13462
					ISSUED BY: -
					CERT BY: -

ITT

Engined Valves
 www.engvalves.com

000000-000

SHEET 1 OF 2
 REV -

50 AIR MOTOR (STD.)

VALVE SIZE	'A'	'B'	'C'	'D' DIA	'E' DIA	'F' DIA	'G'	'H'	'J' DIA	QTY. BONNET CAP SCREWS STUDS/NUTS	O-RING ITEM 12
01.00	25.64 [651.3]	8.45 [214.6]	5.50 [139.7]	4.25 [107.9]	0.62 [15.7]	3.12 [79.2]	36.21 [919.74]	19.02 [483.1]	2.00 [50.8]	4	116

50 AIR MOTOR (LARGE)

VALVE SIZE	'A'	'B'	'C'	'D' DIA	'E' DIA	'F' DIA	'G'	'H'	'J' DIA	QTY. BONNET CAP SCREWS STUDS/NUTS	O-RING ITEM 12
01.00	29.02 [737.1]	8.45 [214.6]	5.50 [139.7]	4.25 [107.9]	0.62 [15.7]	3.12 [79.2]	39.59 [1005.6]	19.02 [483.1]	2.00 [50.8]	4	116
01.50	29.86 [758.4]	9.29 [236.0]	6.50 [165.1]	5.00 [127.0]	0.62 [15.7]	3.88 [98.6]	40.43 [1026.9]	19.86 [504.4]	2.88 [73.2]	4	116
02.00	30.89 [784.6]	10.32 [262.1]	7.50 [190.5]	6.00 [152.4]	0.75 [19.1]	4.75 [120.7]	41.46 [1053.1]	20.89 [530.7]	3.62 [91.9]	4	116
02.50	32.07 [814.6]	11.50 [292.1]	8.50 [215.9]	7.00 [177.8]	0.75 [19.1]	5.50 [139.7]	42.64 [1083.1]	22.07 [560.6]	4.12 [104.6]	4	214
03.00	31.89 [810.0]	11.32 [287.5]	10.00 [254.0]	7.50 [190.5]	0.75 [19.1]	6.00 [152.4]	42.46 [1078.5]	21.89 [556.0]	5.00 [127.0]	6	214

75 AIR MOTOR

VALVE SIZE	'A'	'B'	'C'	'D' DIA	'E' DIA	'F' DIA	'G'	'H'	'J' DIA	QTY. BONNET CAP SCREWS STUDS/NUTS	O-RING ITEM 12
02.50	31.92 [810.8]	11.50 [292.1]	8.50 [215.9]	7.00 [177.8]	0.75 [19.1]	5.50 [139.7]	42.49 [1079.2]	22.07 [560.6]	4.12 [104.6]	4	214
03.00	31.74 [806.2]	11.32 [287.5]	10.00 [254.0]	7.50 [190.5]	0.75 [19.1]	6.00 [152.4]	42.31 [1074.7]	21.89 [556.0]	5.00 [127.0]	6	214
04.00	33.22 [843.8]	12.80 [325.1]	12.50 [317.5]	9.00 [228.6]	0.75 [19.1]	7.50 [190.5]	43.79 [1112.3]	23.37 [593.6]	6.19 [157.2]	8	214

- NOTES:
- ▲ 1. ITEM 29 USED ONLY WITH 4" VALVE.
 - ⊕ 2. QUANTITY OF ITEMS 46, 47 & 48 ARE AS FOLLOWS:
(4) FOR #50 REVERSE ACTUATOR
(8) FOR #75 REVERSE ACTUATOR
 3. VALVE IS BI-DIRECTIONAL (NO FLOW ARROW).
 4. IRON BODIES HAVE FLAT FACED END FLANGES, STEEL HAVE RAISED FACE.

SPRING CHART (ITEM 38)


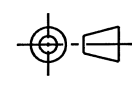
AM.	TYPE
#50 (STD)	#101
	#102A
#50 (LARGE)	#96
	#97
#75	#96
	#97
	#98

LIST OF PARTS

ITEM	DESCRIPTION	MATERIAL	QTY.
1	BODY, FLANGED	-	1
2	DIAPHRAGM	-	1
3	BONNET, ADAPTER	-	1
4	HEX, CAP SCREWS DR STUDS	-	SEE CHARTS
5	NUTS	-	SEE CHARTS
6	COMPRESSOR	-	1
7	PIN, SPIROL	STN. STL. TYPE 302	1
8	FITTING, LUBE	-	AR
9	SPINDLE, VALVE	STN. STL. A-582, TYPE 303	1
10	O-RING #326	BUNA-N	1
11	NUT, ADAPTER BUSHING	O.I.	AR
12	O-RING 'SEE CHART'	BUNA-N	AR
13	COVER, LOWER	ALUMINUM	1
14	DIAPHRAGM, AIR MOTOR	BUNA-N	1
15	COVER, UPPER	ALUMINUM	1
16	PLATE, ACTUATOR	C.I. A-126, CL. B	2
17	NUT, HEX JAM	CAR. STL.	1
18	SCREW, HEX HD. CAP	CAR. STL.	16
19	NUT, HEX	CAR. STL.	16
20	SPINDLE, VALVE YOKE	STN. STL. A-582, TYPE 303	1
21	YOKE	D.I. A-395, GR. 60-40-18	1
22	COUPLING, HALF	STN. STL. A-351, GR. CF8	2
23	SCREW, HEX HD. CAP	CAR. STL.	2
24	NUT, HEX	CAR. STL.	2
25	SCALE, INDICATING	STN. STL.	1
26	BUSHING, ADAPTER	-	1
27	SPINDLE, ACTUATOR	STN. STL. A-582, TYPE 302	1
28	INSERT	CS ASTM A108	1
29	SPACER	CS ASTM A108	1
30	BSHG, ADAPTER YOKE	-	1
31	-	-	-
32	PLUG, PIPE	PLASTIC	1
33	SCREW, DRIVE TYPE U	CAR. STL. SAE GR. 2	2
34	PLUG, VENT	STN. STL. TYPE 416	1
35	SEAT, SPRING	C.I. ASTM A126 CL. B	1
36	PIN, SPIROL (SPRING SEAT)	STN. STL. AISI 302	1
37	ROD, SPRING	CAR. STL. ASTM A108	1
38	SPRING 'SEE CHART'	STEEL ASTM A229	AR
39	WASHER, THRUST	CAR. STL. AISI 1010	1
40	BUSHING, ADJUSTING	D.I. ASTM A395 GR. 60-40-18	1
41	SCREW, HEX. SOC. HD. CAP	CAR. STL.	2
42	WASHER, SPRINGLOCK	CAR. STL.	2
43	SHIELD, TRAVEL STOP	CAR. STL.	1
44	PLUG, PIPE	CAR. STL. A-181, GR. 1	2
45	HOUSING, SPRING	C. STEEL, A-513	1
46	COLUMN	C. STL. A-108, GR. 12L14	AR
47	NUT, HEX	STEEL	AR
48	WASHER, SPRINGLOCK	STEEL	AR
49	NUT, HEX. JAM	CAR. STL. SAE GR. 2	1
50	SCREW, MACHINE FILLISTER HD.	STN. STL. 18-8	1
51	MAGNET, CRUCIBLE U-181	-	1
52	RING, RETAINING	STEEL	1
53	SPACER, INDICATOR HOUSING	ALUMINUM B-211	1
54	O-RING #110	BUNA-N	2
55	HOUSING, INDICATOR	ALUMINUM B-26	1
56	ROD, INDICATOR	ALUMINUM B-211	1
57	TUBE, INDICATOR	PLASTIC	1
58	PLATE, EXTENSION INDICATOR	STEEL	1
59	SCREW, MACH. RD. HD.	STEEL	2
60	O-RING #115	BUNA-N	1
61	COVER, SPRING	C.I. A126, CL.C	1

* RECOMMENDED SPARE PARTS

UNLESS OTHERWISE SPECIFIED, DIMENSIONS NOT SHOWN IN BRACKETS [] ARE IN INCHES. DIMENSIONS SHOWN IN BRACKETS [] ARE IN MILLIMETERS.

ENGRD VALVES ORDER: -	ITEM: -	THIRD ANGLE PROJECTION	DATE	BY	VALVE ASSEMBLY STRAIGHTWAY 01.00 - 04.00 #50 & #75 REVERSE ACTUATOR W/ FLANGED ENDS UNLINED	 Engined Valves www.engvalves.com
FIGURE NO.: -			01/19/11	DJS		
CUSTOMER: -		ALL DIMENSIONS SHOWN ON THIS DRAWING ARE FOR REFERENCE ONLY	01/19/11	STO		000000-000 SHEET 2 OF 2 REV -
CUSTOMER P.O.: -			01/19/11	STO	MASTER DWG: 009850-2/2/ IECN# 13462 ISSUED BY: - CERT BY: -	