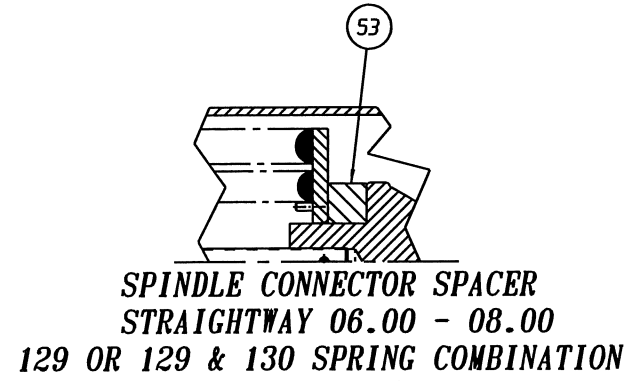


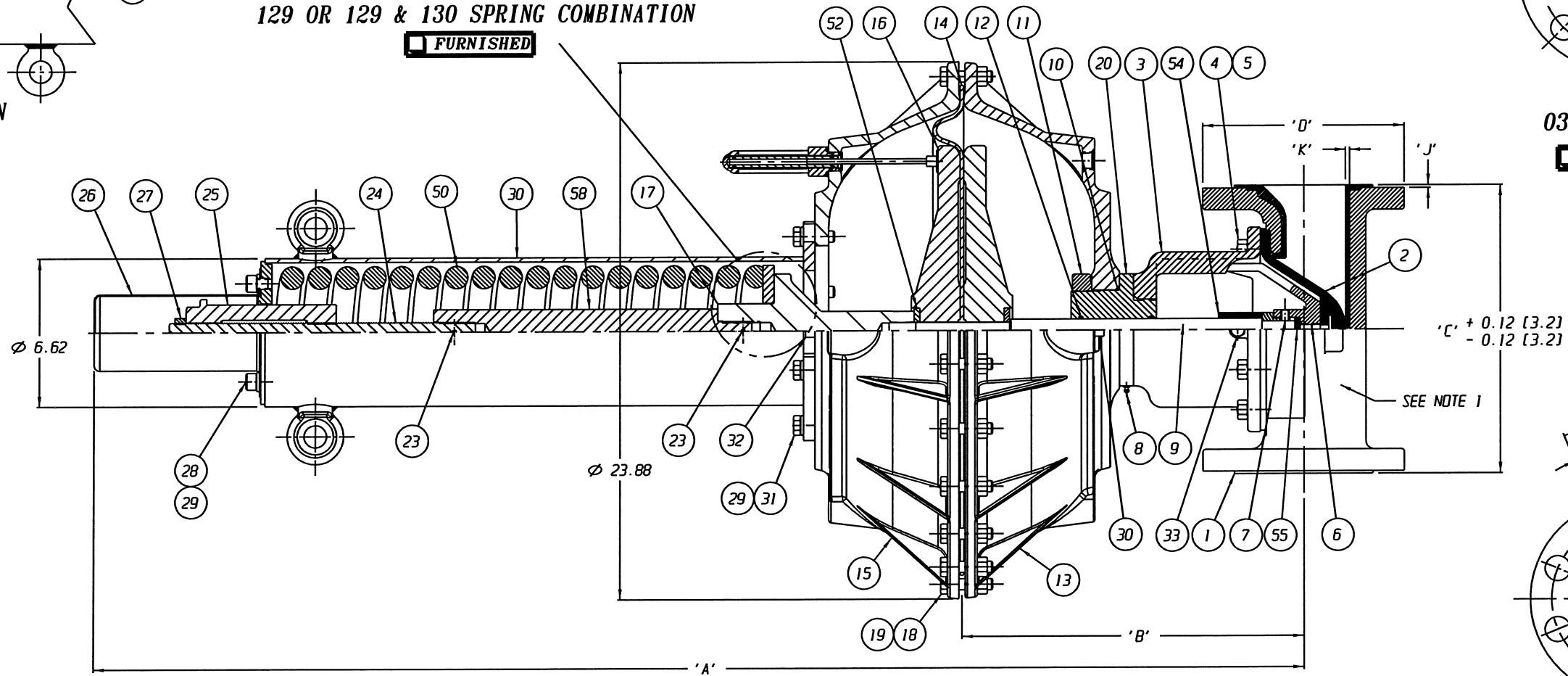
W/ #129 & #130
SPRING COMBINATION

FURNISHED

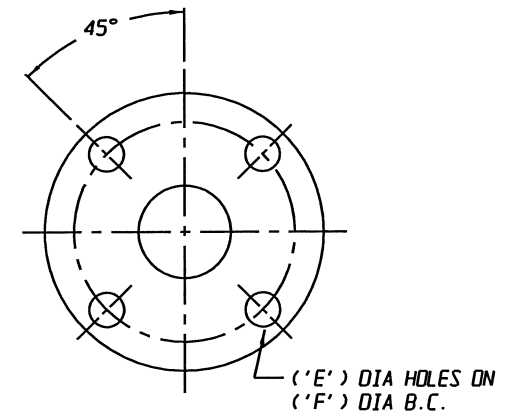


SPINDLE CONNECTOR SPACER
STRAIGHTWAY 06.00 - 08.00
129 OR 129 & 130 SPRING COMBINATION

FURNISHED

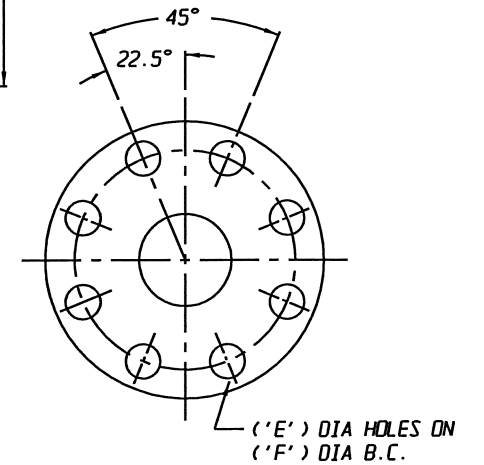


CLOSE COUPLED W/ #130 SPRING CASE
POSITION INDICATOR IS SHOWN 90° FROM TRUE POSITION



03.00 FLANGE

FURNISHED



04.00 - 08.00 FLANGE

FURNISHED

UNLESS OTHERWISE SPECIFIED, DIMENSIONS NOT SHOWN IN BRACKETS [] ARE IN INCHES. DIMENSIONS SHOWN IN BRACKETS [] ARE IN MILLIMETERS.

ENGRD VALVES ORDER: -	ITEM: -	THIRD ANGLE PROJECTION	DATE	BY	VALVE ASSEMBLY STRAIGHTWAY 03.00 - 08.00
FIGURE NO.: -			OWN 04/25/12	DJS	#250 REVERSE ACT WITH FLANGED ENDS PLASTIC LINED
CUSTOMER: -			CHKD 04/25/12	STO	
CUSTOMER P.O.: -			APVD 04/25/12	STO	MASTER DWG: 009914-1/2/- IECN# 14262



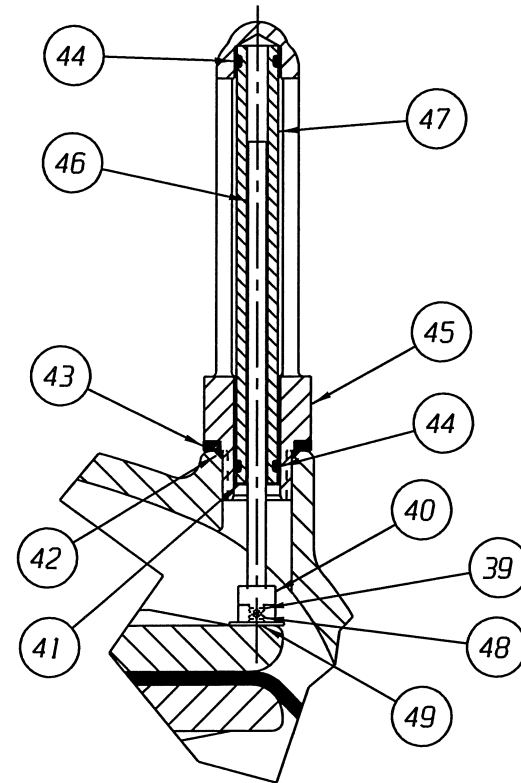
ITT

Engineered Valves
www.engvalves.com

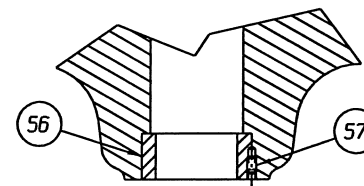
000000-000 SHEET 1 OF 2 REV -

ISSUED BY: - CERT BY: -

# 250 AIR MOTOR									
VALVE SIZE	'A'	'B'	'C'	'D' DIA	'E' DIA	'F' DIA	'J'	'K'	QTY. BONNET CAP SCREWS STUDS/NUTS
03.00	53.65 [1362.7]	14.24 [361.7]	10.31 [261.9]	7.50 [190.5]	0.75 [19.0]	6.00 [152.4]	0.12 [3.0]	0.18 [4.6]	6
04.00	54.67 [1388.6]	15.26 [387.6]	12.88 [327.2]	9.00 [228.6]	0.75 [19.0]	7.50 [190.5]	0.12 [3.0]	0.19 [4.8]	8
06.00	57.80 [1468.1]	18.39 [467.1]	16.38 [416.1]	11.00 [279.4]	0.88 [22.3]	9.50 [241.3]	0.12 [3.0]	0.23 [5.8]	8
08.00	62.48 [1587.0]	23.07 [586.0]	20.81 [528.6]	13.50 [342.9]	0.88 [22.4]	11.75 [298.4]	0.12 [3.0]	0.44 [11.2]	12



DETAIL: POSITION INDICATOR (OPTIONAL)


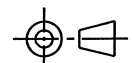


DETAIL: 08.00 BONNET

LIST OF PARTS			
ITEM	DESCRIPTION	MATERIAL	QTY.
1	BODY, FLANGED PLASTIC LINED	-	1
* 2	DIAPHRAGM	-	1
3	BONNET, ADAPTER	-	1
4	HEX, CAP SCREWS OR STUDS	-	SEE CHARTS
5	NUTS	-	SEE CHARTS
6	COMPRESSOR, F/ ELASTOMER DIAPHRAGM	C.I. A-126	1
7	PIN, SPIRDL	STN. STL. TYPE 302	1
○ 8	FITTING, LUBE	-	1
9	SPINDLE, VALVE	STN. STL. A-564 630 CO H900	1
* 10	O-RING #238	BUNA-N	1
11	NUT, ADAPTER BUSHING	D.I.	1
* 12	O-RING #214	BUNA-N	2
13	COVER, LOWER	ALUMINUM	1
* 14	DIAPHRAGM, AIR MOTOR	BUNA-N	1
15	COVER, UPPER	ALUMINUM	1
16	PLATE, ACTUATOR	AL B108 356.0 T6	2
17	CONNECTOR, SPINDLE	D.I. A-395 GR. 60-40-18	1
18	SCREW, HEX HD. CAP	CAR. STL.	24
19	NUT, HEX	CAR. STL.	24
20	BUSHING, ADAPTER	-	1
21	PLUG, PIPE	CAR. STL. A-181, GR. 1	1
22	PLUG, VENT	STN. STL. TYPE 416	1
23	PIN, SPIRDL	STN. STL. TYPE 302	2
24	EXTENSION, SPINDLE	CAR. STL. A-108	1
25	BUSHING, ADJUSTING	D.I.	1
26	SHIELD, TRAVEL STOP	CAR. STL.	1
27	NUT, HEX. JAM	CAR. STL.	1
28	SCREW, HEX. SOC. HD. CAP	CAR. STL.	2
29	WASHER, SPRING LOCK	CAR. STL.	10
30	ASSEMBLY, SPRING CASING #130	CAR. STL.	1
31	SCREW, HEX. HD. CAP	CAR. STL.	8
32	PLUG, PIPE	PLASTIC	1
33	ASSY, SPRING CASING COMBO #129-#130	CAR. STL.	1
34	-	-	-
35	-	-	-
36	-	-	-
37	-	-	-
38	-	-	-
39	SCREW, MACHINE FILLISTER HD.	STN. STL. 18-8	1
40	MAGNET, CRUCIBLE U-181	-	1
41	RING, RETAINING	STEEL	1
* 42	O-RING #115	BUNA-N	1
43	SPACER, INDICATOR HOUSING	ALUMINUM B-211	1
* 44	O-RING #110	BUNA-N	2
45	HOUSING, INDICATOR	ALUMINUM B-26	1
46	ROD, INDICATOR	ALUMINUM B-211	1
47	TUBE, INDICATOR	PLASTIC	1
48	SCREW, DRIVE	CAR. STL.	2
49	PLATE, INDICATOR	CAR. STL.	1
50	SPRING, #130	CAR. STL. A-689	1
51	SPRING, #129	CAR. STL. A-689	1
52	WASHER, IMPACT	STEEL AISI 4140	2
53	SPACER, SPINDLE CONNECTOR	CAR. STL. A-108 12L14	1
54	SPACER, STOP COLLAR	CAR. STL.	1
55	INSERT	CAR. STL.	1
56	BUSHING, BONNET	BRZ.	1
57	SCREW, SET SOC. HD.	A.S.	1
58	EXTENDER, BAR	CAR. STL. ASTM A108	1

- NOTES:
1. VALVE IS BI-DIRECTIONAL (NO FLOW ARROW).
 - * 2. RECOMMENDED SPARE PARTS.
 - ‡ 3. SEALED BONNET ONLY
 - 4. UNSEALED BONNET ONLY
 5. 08.00, #250 AM IS ONLY AVAILABLE W/ 129 & 130 COMBINATION.
 6. SPRINGS (ITEMS 50, 51) CANNOT BE PURCHASED SEPARATELY, AS THEY ARE INCLUDED IN CASE ASSEMBLIES (ITEMS 30, 33).

UNLESS OTHERWISE SPECIFIED, DIMENSIONS NOT SHOWN IN BRACKETS [] ARE IN INCHES. DIMENSIONS SHOWN IN BRACKETS [] ARE IN MILLIMETERS.

ENGRD VALVES ORDER: -	ITEM: -	THIRD ANGLE PROJECTION	DATE	BY	VALVE ASSEMBLY STRAIGHTWAY 03.00 - 08.00	 Engineered Valves www.engvalves.com
FIGURE NO.: -			OWN 04/25/12	DJS	#250 REVERSE ACT WITH FLANGED ENDS PLASTIC LINED	
CUSTOMER: -			CHKD 04/25/12	STO		000000-000 SHEET 2 OF 2 MASTER DWG: 009914-2/2- IECN# 14262 ISSUED BY: - CERT BY: -
CUSTOMER P.O.: -		ALL DIMENSIONS SHOWN ON THIS DRAWING ARE FOR REFERENCE ONLY	APVD 04/25/12	STO		