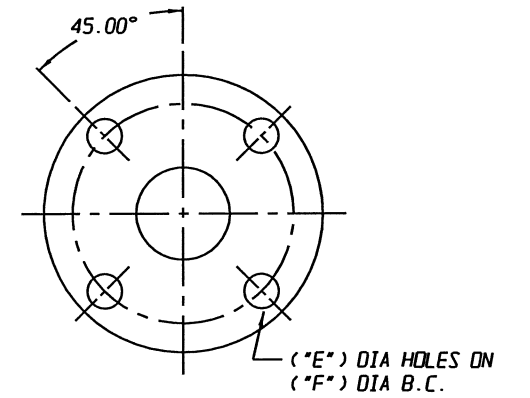


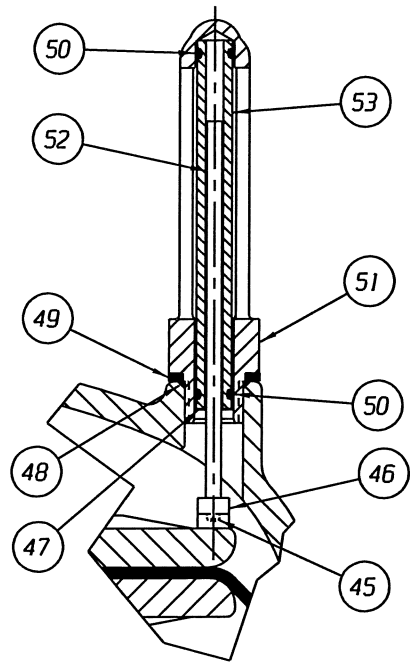
YOKE MOUNTED

FURNISHED



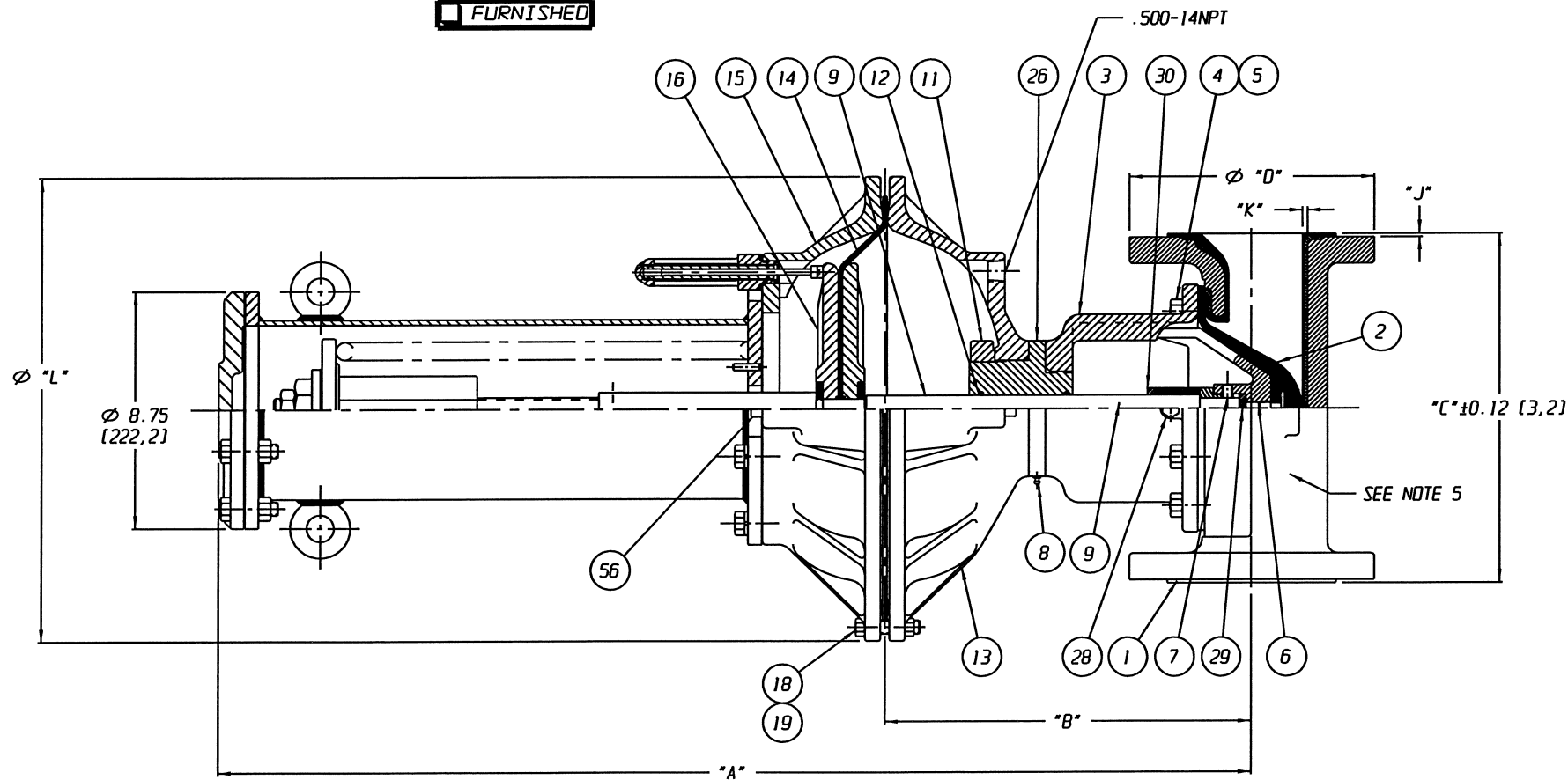
02.50 & 03.00 FLANGE

FURNISHED



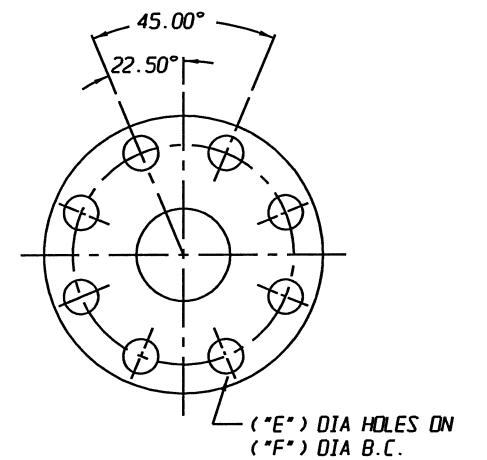
DETAIL: POSITION INDICATOR
(OPTIONAL)

DETAIL: POSITION INDICATOR
#250 AIR MOTOR ONLY



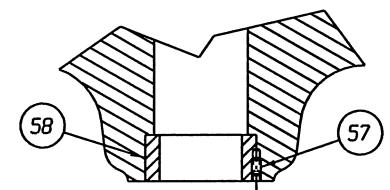
CLOSE COUPLED

FURNISHED



04.00 - 08.00 FLANGE

FURNISHED



DETAIL: 08.00 BONNET
#250 AIR MOTOR ONLY

UNLESS OTHERWISE SPECIFIED, DIMENSIONS NOT SHOWN IN BRACKETS [] ARE IN INCHES. DIMENSIONS SHOWN IN BRACKETS [] ARE IN MILLIMETERS.

ENGRD VALVES ORDER: -	ITEM: -	THIRD ANGLE PROJECTION	DATE	BY	VALVE ASSEMBLY
FIGURE NO.: -			OWN 6/21/12	DJS	STRAIGHTWAY 03.00 - 08.00
CUSTOMER: -			CHKD 6/21/12	STO	#101 THRU #250 DIRECT ACT
CUSTOMER P.O.: -			APVD 6/21/12	STO	WITH FLANGED ENDS
					PLASTIC LINED
					MASTER DWG: 009919-1/2/-
					IECN# 14356
					ISSUED BY: -
					CERT BY: -



ITT

Engineered Valves
www.engvalves.com

000000-000 SHEET 1 OF 2 REV -

101 AIR MOTOR

VALVE SIZE	'A'	'B'	'C'	'D' DIA	'E' DIA	'F' DIA	'G'	'H'	"J"	"K"	"L"	QTY. BONNET CAP SCREWS STUDS/NUTS
03.00	36.43 [925,3]	12.54 [318,5]	10.25 [260,4]	7.50 [190,5]	0.75 [19,0]	6.00 [152,4]	50.05 [1271,3]	26.16 [664,5]	0.12 [3,0]	0.18 [4,6]	17.12 [434,8]	6
04.00	37.45 [951,2]	13.56 [344,4]	12.88 [327,2]	9.00 [228,6]	0.75 [19,0]	7.50 [190,5]	51.07 [1297,2]	27.18 [690,4]	0.12 [3,0]	0.19 [4,8]		8
06.00	40.62 [1031,7]	16.73 [424,9]	16.38 [416,0]	11.00 [279,4]	0.88 [22,3]	9.50 [241,3]	54.24 [1377,7]	30.35 [770,9]	0.12 [3,0]	0.23 [5,8]		8

130 AIR MOTOR

VALVE SIZE	'A'	'B'	'C'	'D' DIA	'E' DIA	'F' DIA	'G'	'H'	"J"	"K"	"L"	QTY. BONNET CAP SCREWS STUDS/NUTS
03.00	36.43 [925,3]	12.35 [313,7]	10.25 [260,4]	7.50 [190,5]	0.75 [19,0]	6.00 [152,4]	50.05 [1271,3]	25.96 [659,4]	0.12 [3,0]	0.18 [4,6]	19.00 [482,6]	6
04.00	37.45 [951,2]	13.37 [339,6]	12.88 [327,2]	9.00 [228,6]	0.75 [19,0]	7.50 [190,5]	51.07 [1297,2]	26.99 [685,5]	0.12 [3,0]	0.19 [4,8]		8
06.00	40.62 [1031,7]	16.54 [420,1]	16.38 [416,0]	11.00 [279,4]	0.88 [22,3]	9.50 [241,3]	54.24 [1377,7]	30.16 [766,1]	0.12 [3,0]	0.23 [5,8]		8


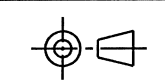
250 AIR MOTOR

VALVE SIZE	'A'	'B'	'C'	'D' DIA	'E' DIA	'F' DIA	'G'	'H'	"J"	"K"	"L"	QTY. BONNET CAP SCREWS STUDS/NUTS
03.00	40.43 [1026,9]	14.35 [364,5]	10.25 [260,4]	7.50 [190,5]	0.75 [19,0]	6.00 [152,4]	54.05 [1372,9]	27.97 [710,4]	0.12 [3,0]	0.18 [4,6]	23.88 [606,5]	6
04.00	41.45 [1052,8]	15.37 [390,4]	12.88 [327,2]	9.00 [228,6]	0.75 [19,0]	7.50 [190,5]	55.07 [1398,8]	28.99 [736,3]	0.12 [3,0]	0.19 [4,8]		8
06.00	44.62 [1133,3]	18.54 [470,9]	16.38 [416,0]	11.00 [279,4]	0.88 [22,3]	9.50 [241,3]	58.24 [1479,3]	32.16 [816,9]	0.12 [3,0]	0.23 [5,8]		8
08.00	49.31 [1252,5]	23.23 [590,0]	20.88 [530,4]	13.50 [342,9]	0.88 [22,3]	11.75 [298,4]	62.93 [1598,4]	36.85 [936,0]	0.12 [3,0]	0.44 [11,2]		12

NOTE:
 Δ 1. USED ONLY WITH #250 AIR MOTOR.
 * 2. RECOMMENDED SPARE PARTS.
 † 3. SEALED BONNET ONLY.
 ○ 4. UNSEALED BONNET ONLY.
 5. VALVE IS BI-DIRECTIONAL (NO FLOW ARROW).

LIST OF PARTS			
ITEM	DESCRIPTION	MATERIAL	QTY.
1	BODY, FLANGED PLASTIC LINED	-	1
* 2	DIAPHRAGM	-	1
3	BONNET, ADAPTER	-	1
4	HEX, CAP SCREWS OR STUDS	-	SEE CHARTS
5	NUTS	-	SEE CHARTS
6	COMPRESSOR	C.I. A-126, CL. B	1
7	PIN, SPIROL	STN. STL. TYPE 302	1
○ 8	FITTING, LUBE	-	AR
9	SPINDLE, VALVE	STN. STL. A-582, TYPE 303	1
* 10	O-RING #238	BUNA-N	1
11	NUT, ADAPTER BUSHING	D.I.	AR
* 12	O-RING #214	BUNA-N	AR
13	COVER, LOWER	ALUMINUM	1
* 14	DIAPHRAGM, AIR MOTOR	BUNA-N	1
15	COVER, UPPER	ALUMINUM	1
16	PLATE, ACTUATOR	D.I. A-536	2
17	GASKET	SILICONE	1
18	SCREW, HEX HD. CAP	CAR. STL.	24
19	NUT, HEX	CAR. STL.	24
20	SPINDLE, VALVE YOKE	STN. STL.	1
21	YOKE	D.I. A-395, GR. 60-40-18	1
22	COUPLING (PAIR)	STN. STL. A-240 300	1
23	SCREW, HEX HD. CAP	CAR. STL.	2
24	NUT, HEX	CAR. STL.	2
25	SCALE, INDICATING	STN. STL.	1
26	BUSHING, ADAPTER	DI	AR
† 27	SPINDLE, ACTUATOR	STN. STL. A-564	1
28	PLUG, VENT	STN STL TYPE 416	1
29	INSERT	CAR. STL.	1
30	SPACER, STOP COLLAR	CAR. STL.	1
31	SCREW, DRIVE TYPE U	CAR. STL. SAE GR 2	2
32	SPRING #96	CAR. STL. A-689	1
33	SPINDLE EXTENSION ASSEMBLY	-	1
34	BUSHING, ADJUSTING	D.I.	1
35	PLATE, SPRING	CAR. STL. A-689	1
36	NUT, HEX JAM	CAR. STL.	1
37	SCREW, HEX HD CAP	CAR. STL.	8
38	WASHER, SPRINGLOCK	CAR. STL.	8
39	ASSEMBLY, SPRING CASE	CAR. STL.	1
40	SCREW, HEX HD CAP	CAR. STL.	8
41	NUT, HEX	CAR. STL.	8
42	PLUG, PIPE	PLASTIC	1
Δ 43	WASHER, IMPACT	STL AISI 4140	2
44	CAP	D.I., A395 GR. 60-40-18	1
45	SCREW, MACHINE FILLISTER HD.	STN STL 18-8	1
46	MAGNET	-	1
47	RING, RETAINING	STEEL	1
* 48	O-RING #115	BUNA-N	1
49	SPACER, INDICATOR HOUSING	ALUMINUM B-211	1
* 50	O-RING #110	BUNA-N	2
51	HOUSING, INDICATOR	ALUMINUM B-26	1
52	ROD, INDICATOR	ALUMINUM B-211	1
53	TUBE, INDICATOR	PLASTIC	1
54	SCREW, DRIVE	CAR. STL.	2
55	PLATE, INDICATOR	CAR. STL.	1
56	PLUG, PIPE	CAR. STL A-181 GR 1	1
Δ 57	SCREW, SET SOC HD	A.S.	1
Δ 58	BUSHING, BONNET	BRZ.	1

UNLESS OTHERWISE SPECIFIED, DIMENSIONS NOT SHOWN IN BRACKETS [] ARE IN INCHES. DIMENSIONS SHOWN IN BRACKETS [] ARE IN MILLIMETERS.

ENGRD VALVES ORDER: -	ITEM: -	THIRD ANGLE PROJECTION	DATE	BY	VALVE ASSEMBLY STRAIGHTWAY 03.00 - 08.00 #101 THRU #250 DIRECT ACT WITH FLANGED ENDS PLASTIC LINED	 Engineered Valves www.engvalves.com
FIGURE NO.: -			DWN 6/21/12	DJS		
CUSTOMER: -		ALL DIMENSIONS SHOWN ON THIS DRAWING ARE FOR REFERENCE ONLY	CHKD 6/21/12	STO		
CUSTOMER P.O.: -			APVD 6/21/12	STO	MASTER DWG: 009919-2/2/- IECN# 14356	
ISSUED BY: -						SHEET 2 OF 2 REV - CERT BY: -