

ENGRD VALVES ORDER: -	ITEM: -	THIRD ANGLE PROJECTION	DATE	BY	VALVE ASSEMBLY
FIGURE NO.: -			DWN 03/08/13	DJS	STRAIGHTWAY 02.50 - 08.00
CUSTOMER: -			CHKD 03/08/13	STO	#250 REVERSE ACT.
CUSTOMER P.O.: -			APVD 03/08/13	STO	WITH FLANGED ENDS
					RUBBER LINED
					MASTER DWG: 009943-1/2/-
					ECN# 14262

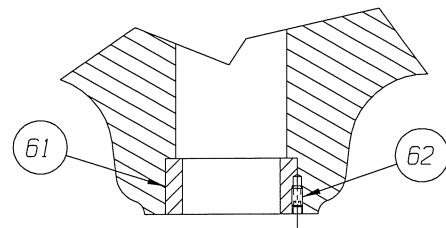
ITT Engineered Valves
www.engvalves.com

D 000000-000 SHEET 1 OF 2 REV -

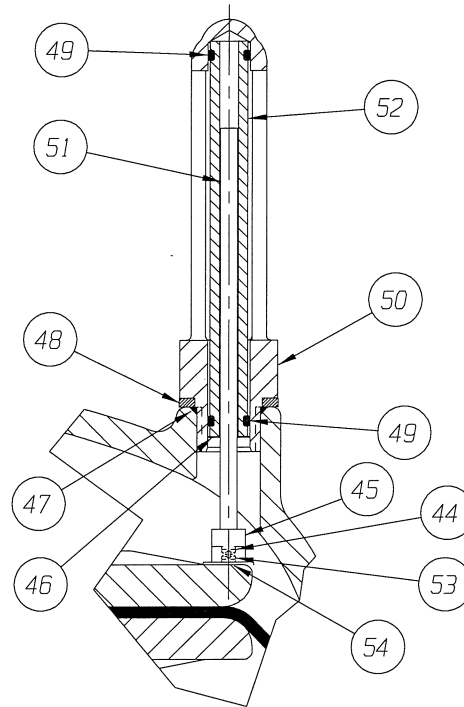
ISSUED BY: - [CERT BY: -]

250 AIR MOTOR

VALVE SIZE	'A'	'B'	'C'	'D' DIA	'E' DIA	'F' DIA	'J'	'K'	'L'	'M'	QTY. BONNET CAP SCREWS STUDS/NUTS
02.50	53.69 [1363,7]	14.31 [363,5]	8.75 [222,3]	7.00 [177,8]	0.75 [19,0]	5.50 [139,7]	0.84 [21,3]	0.12 [3,0]	67.31 [1709,7]	27.93 [709,4]	4
03.00	53.66 [1363,0]	14.28 [362,7]	10.25 [260,4]	7.50 [190,5]	0.75 [19,0]	6.00 [152,4]	0.92 [23,4]	0.12 [3,0]	67.28 [1708,9]	27.90 [708,7]	6
04.00	54.68 [1388,9]	15.30 [388,6]	12.75 [323,8]	9.00 [228,6]	0.75 [19,0]	7.50 [190,5]	1.11 [28,2]	0.12 [3,0]	68.30 [1734,8]	28.92 [734,6]	8
06.00	57.97 [1472,4]	18.59 [472,2]	16.38 [416,1]	11.00 [279,4]	0.88 [22,4]	9.50 [241,3]	1.24 [31,5]	0.19 [4,8]	71.59 [1818,4]	32.21 [818,1]	8
08.00	62.73 [1593,3]	23.35 [593,1]	20.88 [530,4]	13.50 [342,9]	0.88 [22,4]	11.75 [298,4]	1.36 [34,5]	0.19 [4,8]	76.35 [1939,3]	36.97 [939,0]	12



DETAIL: 08.00 BONNET



DETAIL: POSITION INDICATOR (OPTIONAL)

FURNISHED

NOTE:

1. VALVE IS BI-DIRECTIONAL (NO FLOW ARROW).
2. RECOMMENDED SPARE PARTS.
- * 3. SPRINGS (ITEMS 55, 56) CANNOT BE PURCHASED SEPARATELY, AS THEY ARE INCLUDED IN CASE ASSEMBLIES (ITEMS 38, 41).

LIST OF PARTS

ITEM	DESCRIPTION	MATERIAL	QTY.
1	BODY, FLANGED RUBBER LINED	-	1
* 2	DIAPHRAGM	-	1
3	BONNET, ADAPTER	-	1
4	HEX, CAP SCREWS DR STUDS	-	SEE CHARTS
5	NUTS	-	SEE CHARTS
6	COMPRESSOR	C.I. A-126	1
7	PIN, SPIROL	STN. STL. TYPE 302	1
8	FITTING, LUBE	-	AR
9	SPINDLE, VALVE	STN. STL. A-564 630 H900	1
* 10	O-RING #238	BUNA-N	1
11	NUT, ADAPTER BUSHING	D.I.	AR
* 12	O-RING #214	BUNA-N	AR
13	COVER, LOWER	ALUMINUM	1
* 14	DIAPHRAGM, AIR MOTOR	BUNA-N	1
15	COVER, UPPER	ALUMINUM	1
16	PLATE, ACTUATOR	ALUMINUM	2
17	CONNECTOR, SPINDLE	D.I. A-395 GR. 60-40-18	1
18	SCREW, HEX HD. CAP	CAR. STL.	24
19	NUT, HEX	CAR. STL.	24
20	SPINDLE, VALVE YOKE	STN. STL.	1
21	YOKE	D.I. A-395, GR. 60-40-18	1
22	COUPLING, PAIR	STN. STL. A-351, GR. CF8	1
23	SCREW, HEX HD. CAP	CAR. STL.	4
24	NUT, HEX	CAR. STL.	4
25	SCALE, INDICATING	STN. STL.	1
26	BUSHING, ADAPTER	-	AR
27	SPINDLE, ACTUATOR	STN. STL. A-564 630	1
28	PLUG, PIPE	CAR. STL. A-181, GR. 1	1
29	SCREW, DRIVE TYPE U	CAR. STL. SAE GR. 2	2
30	PLUG, VENT	STN. STL. TYPE 416	1
31	PIN, SPIROL	STN. STL. TYPE 302	1
32	EXTENSION, SPINDLE	CAR. STL. A-108	1
33	BUSHING, ADJUSTING	D.I.	1
34	SHIELD, TRAVEL STOP	CAR. STL.	1
35	NUT, HEX. JAM	CAR. STL.	1
36	SCREW, HEX. SOC. HD. CAP	CAR. STL.	2
37	WASHER, SPRING LOCK	CAR. STL.	10
38	ASSEMBLY, SPRING CASING #130	CAR. STL.	1
39	SCREW, HEX. HD. CAP	CAR. STL.	8
40	PLUG, PIPE	PLASTIC	1
41	ASSY, SPRING CASING COMBO #129-#130	CAR. STL.	1
42	PIN, SPIROL	STN. STL. TYPE 302	1
43	EXTENDER, BAR	CAR. STL. A-108	1
44	SCREW, MACHINE FILLISTER HD.	STN. STL. 18-8	1
45	MAGNET, U-181	-	1
46	RING, RETAINING	STEEL	1
* 47	O-RING #115	BUNA-N	1
48	SPACER, INDICATOR HOUSING	ALUMINUM B-211	1
* 49	O-RING #110	BUNA-N	2
50	HOUSING, INDICATOR	ALUMINUM B-26	1
51	ROD, INDICATOR	ALUMINUM B-211	1
52	TUBE, INDICATOR	PLASTIC	1
53	SCREW, DRIVE	CAR. STL.	2
54	PLATE, INDICATOR	CAR. STL.	1
55	SPRING, #130	CAR. STL. A-689	1
56	SPRING, #129	CAR. STL. A-689	1
57	WASHER, IMPACT	STEEL AISI 4140	2
58	SPACER, SPINDLE CONNECTOR	CAR. STL. A-108 12L14	1
59	SPACER, STOP COLLAR	CAR. STL.	1
60	INSERT	CAR. STL.	1
61	BUSHING, BONNET	BRZ	1
62	SCREW, SET SOC HD	A.S.	1

UNLESS OTHERWISE SPECIFIED, DIMENSIONS NOT SHOWN IN BRACKETS [] ARE IN INCHES. DIMENSIONS SHOWN IN BRACKETS [] ARE IN MILLIMETERS.

ENGRD VALVES ORDER: -	ITEM: -	THIRD ANGLE PROJECTION	DATE	BY	VALVE ASSEMBLY STRAIGHTWAY 02.50 - 08.00 #250 REVERSE ACT. WITH FLANGED ENDS RUBBER LINED	 Engineered Valves www.engvalves.com
FIGURE NO.: -			DWN 03/08/13	DJS		
CUSTOMER: -			CHKD 03/08/13	STO		D 000000-000 SHEET 2 OF 2 REV -
CUSTOMER P.O.: -		ALL DIMENSIONS SHOWN ON THIS DRAWING ARE FOR REFERENCE ONLY	APVD 03/08/13	STO	MASTER DWG: 009943-2/2/- ECN# 14262 ISSUED BY: - CERT BY: -	