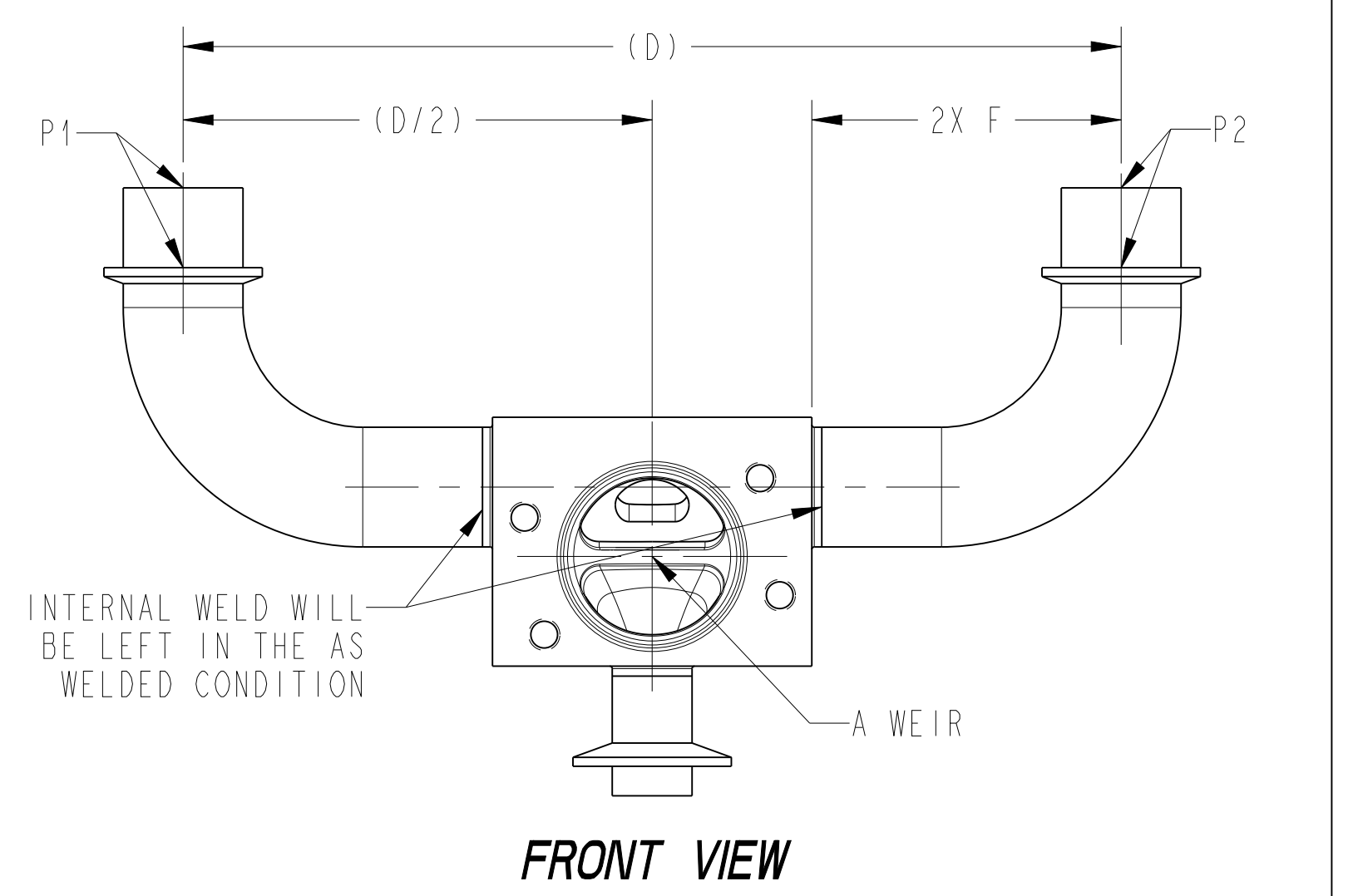
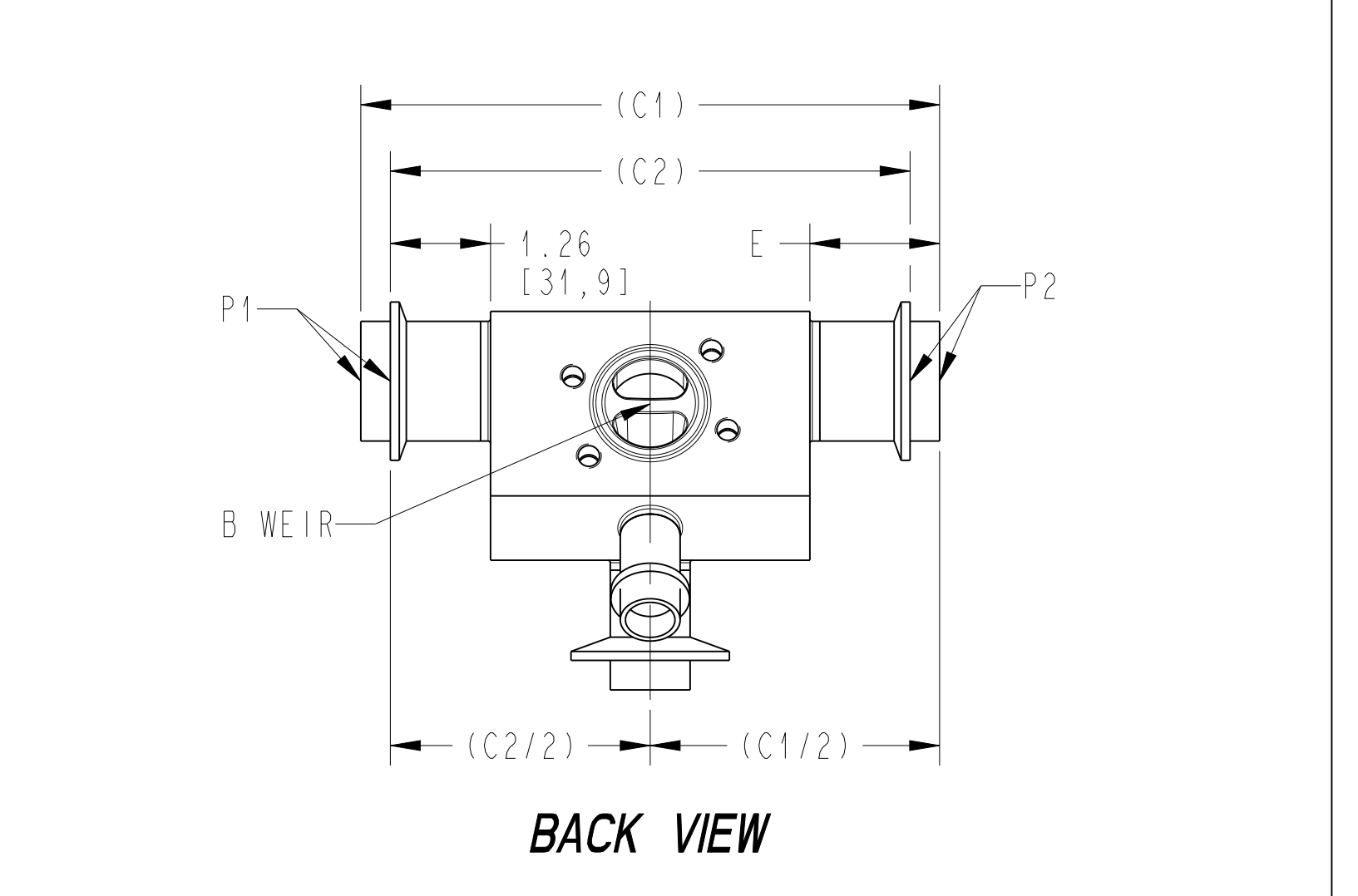
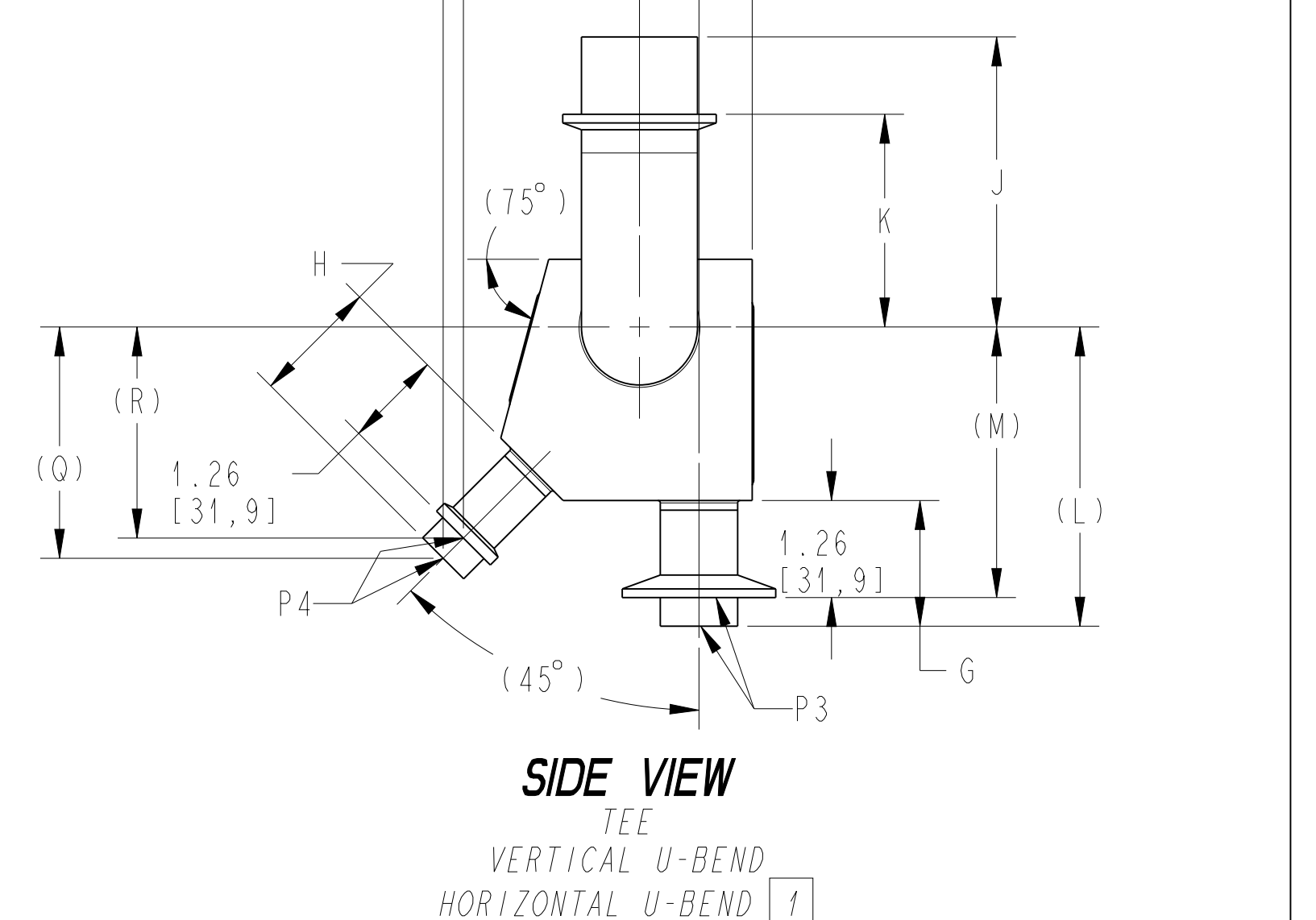
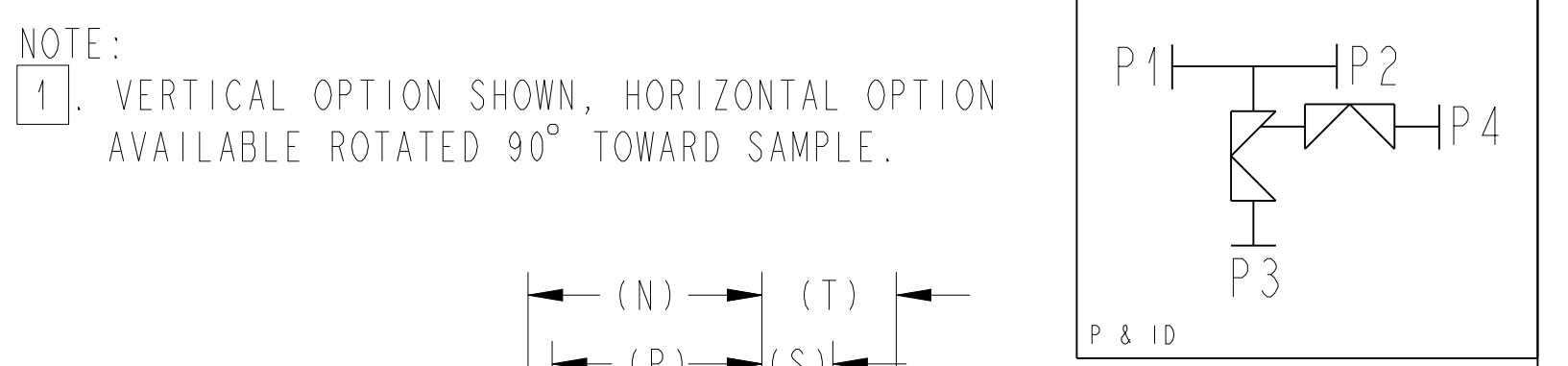


RUN	A	B	(C1)	(C2)	(D)	E	F	G	H	J	K	(L)	(M)	(N)	(P)	(Q)	(R)	(S)	(T)	BODY DWG
3/4"					(8.85) [224,8]	1.63 [41,3]	3.13 [79,4]	2.50 [63,5]	2.50 [63,5]	3.00 [76,2]	1.63 [41,3]	(4.55) [115,6]	(3.31) [84,0]	(2.72) [69,1]	(1.84) [46,7]	(3.42) [86,8]	(2.54) [64,4]	(0.44) [11,2]	(0.97) [24,7]	K24735A
1"			(5.85) [148,6]					2.00 [50,8]	2.00 [50,8]			2.00 [50,8]	(4.12) [104,7]	(3.38) [85,7]	(2.50) [63,6]	(1.98) [50,2]	(3.13) [79,6]	(2.61) [66,2]	(0.57) [14,5]	(1.10) [28,0]
1-1/2"					(10.35) [262,9]		3.88 [98,4]			3.75 [95,3]	2.75 [69,9]	(3.85) [97,9]	(3.48) [88,5]	(2.53) [64,3]	(2.27) [57,7]	(2.98) [75,6]	(2.72) [69,0]	(0.81) [20,6]	(1.34) [34,1]	
2"	3/4"R EZ	3/4"R EZ		(5.11) [129,8]	(12.35) [313,7]		4.88 [123,8]			4.75 [120,7]	3.50 [88,9]	(3.91) [99,2]	(3.54) [89,8]	(2.80) [71,2]	(2.54) [64,6]	(3.03) [76,9]	(2.77) [70,3]	(0.99) [25,1]	(1.52) [38,6]	
2-1/2"			(6.35) [161,3]		(13.85) [351,8]	1.88 [47,6]	5.63 [142,9]	1.63 [41,3]	1.63 [41,3]	5.50 [139,7]	4.25 [108,0]	(4.02) [102,0]	(3.65) [92,6]	(3.07) [78,0]	(2.81) [71,3]	(3.14) [79,7]	(2.88) [73,1]	(1.15) [29,2]	(1.68) [42,6]	
3"					(15.35) [389,9]		6.38 [161,9]			6.25 [158,8]	5.00 [127,0]	(4.28) [108,6]	(3.91) [99,2]	(3.32) [84,4]	(3.06) [77,7]	(3.24) [82,4]	(2.98) [75,7]	(1.29) [32,8]	(1.82) [46,2]	
4"			(6.85) [174,0]		(18.85) [478,8]	2.13 [54,0]	8.13 [206,4]			8.00 [203,2]	6.63 [168,3]	(4.78) [121,3]	(4.41) [111,9]	(3.78) [96,0]	(3.52) [89,4]	(3.53) [89,7]	(3.27) [83,1]	(1.60) [40,5]	(2.13) [54,0]	
3/4"					(10.25) [260,4]	1.63 [41,3]	3.13 [79,4]	2.50 [63,5]	2.50 [63,5]	3.00 [76,2]	2.00 [50,8]	(4.15) [105,4]	(3.40) [86,4]	(2.50) [63,5]	(1.97) [50,1]	(3.16) [80,3]	(2.63) [66,9]	(0.67) [17,1]	(1.20) [30,5]	K24735A
1"			(7.25) [184,2]																	
1-1/2"					(11.75) [298,5]		3.88 [98,4]			3.75 [95,3]	2.75 [69,9]	(3.87) [98,4]	(3.50) [89,0]	(2.54) [64,5]	(2.28) [57,9]	(3.00) [76,1]	(2.73) [69,5]	(0.93) [23,5]	(1.46) [37,0]	
2"	3/4" EZ	3/4"R EZ		(6.51) [165,4]	(13.75) [349,3]		4.88 [123,8]			4.75 [120,7]	3.50 [88,9]	(4.14) [105,1]	(3.77) [95,7]	(2.82) [71,7]	(2.56) [65,0]	(3.17) [80,5]	(2.91) [73,9]	(1.17) [29,8]	(1.70) [43,3]	
2-1/2"			(7.75) [196,9]		(15.25) [387,4]	1.88 [47,6]	5.63 [142,9]	1.63 [41,3]	1.63 [41,3]	5.50 [139,7]	4.25 [108,0]	(4.40) [111,8]	(4.03) [102,4]	(3.07) [78,0]	(2.81) [71,4]	(3.05) [84,1]	(3.05) [77,5]	(1.37) [34,7]	(1.90) [48,1]	
3"					(16.75) [425,5]		6.38 [161,9]			6.25 [158,8]	5.00 [127,0]	(4.66) [118,4]	(4.29) [109,0]	(3.30) [83,7]	(3.03) [77,1]	(3.56) [90,4]	(3.30) [83,7]	(1.53) [38,8]	(2.06) [52,3]	
4"			(8.25) [209,6]		(20.25) [514,4]	2.13 [54,0]	8.13 [206,4]			8.00 [203,2]	6.63 [168,3]	(5.16) [131,2]	(4.79) [121,8]	(3.77) [95,6]	(3.50) [89,0]	(3.80) [96,6]	(3.54) [90,0]	(1.83) [46,4]	(2.36) [59,8]	
1"			(7.25) [184,2]		(10.25) [260,4]	1.63 [41,3]	3.13 [79,4]	2.50 [63,5]	2.50 [63,5]	3.00 [76,2]	2.00 [50,8]	(4.65) [118,1]	(3.40) [86,4]	(2.85) [72,5]	(1.97) [50,1]	(3.51) [89,3]	(2.63) [66,9]	(0.51) [13,1]	(1.20) [30,5]	K24735A
1-1/2"					(11.75) [298,5]		3.88 [98,4]	2.00 [50,8]	2.00 [50,8]	3.75 [95,3]	2.75 [69,9]	(4.25) [107,9]	(3.50) [89,0]	(2.81) [71,3]	(2.28) [57,9]	(3.26) [82,8]	(2.73) [69,5]	(0.77) [19,5]	(1.46) [37,0]	
2"	1" EZ	3/4"R EZ		(6.51) [165,4]	(13.75) [349,3]		4.88 [123,8]			4.75 [120,7]	3.50 [88,9]	(4.14) [105,1]	(3.77) [95,7]	(2.82) [71,7]	(2.56) [65,0]	(3.17) [80,5]	(2.91) [73,9]	(1.02) [25,8]	(1.70) [43,3]	
2-1/2"			(7.75) [196,9]		(15.25) [387,4]	1.88 [47,6]	5.63 [142,9]	1.63 [41,3]	1.63 [41,3]	5.50 [139,7]	4.25 [108,0]	(4.40) [111,8]	(4.03) [102,4]	(3.07) [78,0]	(2.81) [71,4]	(3.31) [84,1]	(3.05) [77,5]	(1.21) [30,7]	(1.90) [48,1]	
3"					(16.75) [425,5]		6.38 [161,9]			6.25 [158,8]	5.00 [127,0]	(4.66) [118,4]	(4.29) [109,0]	(3.30) [83,7]	(3.03) [77,1]	(3.56) [90,4]	(3.30) [83,7]	(1.37) [34,8]	(2.06) [52,3]	
4"			(8.25) [209,6]		(20.25) [514,4]	2.13 [54,0]	8.13 [206,4]			8.00 [203,2]	6.63 [168,3]	(5.16) [131,2]	(4.79) [121,8]	(3.77) [95,6]	(3.50) [89,0]	(3.80) [96,6]	(3.54) [90,0]	(1.67) [42,4]	(2.36) [59,8]	
1-1/2"			(8.63) [219,2]		(13.13) [333,5]	1.63 [41,3]	3.88 [98,4]	2.00 [50,8]	2.50 [63,5]	3.75 [95,3]	2.75 [69,9]	(4.83) [122,8]	(4.09) [103,9]	(3.18) [80,9]	(2.30) [58,5]	(3.72) [94,5]	(2.84) [72,1]	(0.50) [12,8]	(1.50) [38,2]	K24735A
2"					(15.13) [384,3]		4.88 [123,8]			4.75 [120,7]	3.50 [88,9]	(4.72) [120,0]	(4.35) [110,6]	(2.89) [73,5]	(2.63) [66,9]	(3.37) [85,5]	(3.10) [78,8]	(0.74) [18,9]	(1.74) [44,3]	
2-1/2"	1-1/2" EZ	3/4"R EZ	(9.13) [231,9]	(7.89) [200,4]	(16.63) [422,4]	1.88 [47,6]	5.63 [142,9]	1.63 [41,3]	1.63 [41,3]	5.50 [139,7]	4.25 [108,0]	(4.99) [126,8]	(4.62) [117,4]	(3.07) [77,9]	(2.80) [71,2]	(3.36) [85,4]	(3.10) [78,8]	(1.01) [25,7]	(2.01) [51,1]	
3"					(18.13) [460,5]		6.38 [161,9]			6.25 [158,8]	5.00 [127,0]	(5.25) [133,5]	(4.88) [124,1]	(3.29) [83,7]	(3.03) [77,0]	(3.57) [90,7]	(3.31) [84,1]	(1.23) [31,2]	(2.23) [56,6]	
4"			(9.63) [244,6]		(21.63) [549,4]	2.13 [54,0]	8.13 [206,4]			8.00 [203,2]	6.63 [168,3]	(6.28) [159,6]	(5.91) [150,2]	(3.74) [94,9]	(3.47) [88,3]	(3.90) [99,0]	(3.64) [92,4]	(1.57) [39,8]	(2.57) [65,2]	
2"					(15.64) [397,3]		4.88 [123,8]	2.50 [63,5]	2.50 [63,5]	4.75 [120,7]	3.50 [88,9]	(5.63) [143,1]	(4.39) [111,5]	(3.46) [87,8]	(2.58) [65,4]	(3.95) [100,3]	(3.07) [77,9]	(0.49) [12,4]	(1.74) [44,2]	K24735A
2-1/2"	2" EZ	3/4"R EZ	(9.64) [244,9]	(8.40) [213,4]	(17.14) [435,4]	1.88 [47,6]	5.63 [142,9]			5.50 [139,7]	4.25 [108,0]	(5.28) [134,0]	(4.66) [118,3]	(3.07) [78,0]	(2.81) [71,4]	(3.38) [86,0]	(3.12) [79,3]	(0.76) [19,4]	(2.01) [51,1]	
3"					(18.64) [473,5]		6.38 [161,9]	1.88 [47,6]	1.63 [41,3]	6.25 [158,8]	5.00 [127,0]	(5.54) [140,7]	(4.92) [125,0]	(3.30) [83,9]	(3.04) [77,3]	(3.61) [91,6]	(3.34) [85,0]	(0.98) [25,0]	(2.23) [56,7]	
4"			(10.14) [257,6]		(22.14) [562,4]	2.13 [54,0]	8.13 [206,4]			8.00 [203,2]	6.63 [168,3]	(6.04) [153,5]	(5.42) [137,8]	(3.74) [94,9]	(3.47) [88,3]	(3.90) [99,0]	(3.64) [92,4]	(1.33) [33,7]	(2.58) [65,4]	
2-1/2"			(11.13) [282,6]		(18.63) [473,1]	(1.88) [47,6]	(5.63) [142,9]			(5.50) [139,7]	(4.25) [108,0]	(6.58) [167,0]	(5.96) [151,3]	(3.36) [85,3]	(3.10) [78,7]	(4.61) [117,2]	(4.35) [110,5]	(0.55) [14,0]	(2.05) [52,1]	K24934A
3"	2-1/2" PF	3/4"R EZ		(9.89) [251,1]	(20.13) [511,2]		(6.38) [161,9]	1.88 [47,6]	1.63 [41,3]	(6.25) [158,8]	(5.00) [127,0]	(6.85) [174,0]	(6.23) [158,2]	(3.47) [88,1]	(3.21) [81,4]	(4.39) [111,6]	(4.13) [104,9]	(0.92) [23,3]	(2.42) [61,4]	
4"			(11.63) [295,3]		(23.63) [600,1]	(2.13) [54,0]	(8.13) [206,4]			(8.00) [203,2]	(6.63) [168,3]	(7.36) [187,0]	(6.74) [171,3]	(3.69) [93,6]	(3.42) [87,0]	(4.20) [106,7]	(3.94) [100,0]	(1.43) [36,3]	(2.93) [74,4]	
3"			(11.13) [282,6]	(9.89) [251,1]	(20.13) [511,2]	(1.88) [47,6]	(6.38) [161,9]	1.88 [47,6]	1.63 [41,3]	(6.25) [158,8]	(5.00) [127,0]	(6.85) [174,0]	(6.23) [158,2]	(3.56) [90,5]	(3.30) [83,8]	(4.75) [120,5]	(4.48) [113,9]	(0.67) [17,0]	(2.42) [61,4]	K24934A
4"	3" PF	3/4"R EZ	(11.63) [295,3]		(23.63) [600,1]	(2.13) [54,0]	(8.13) [206,4]			(8.00) [203,2]	(6.63) [168,3]	(7.36) [187,0]	(6.74) [171,3]	(3.78) [96,0]	(3.52) [89,4]	(4.55) [115,6]	(4.29) [109,0]	(1.18) [30,0]	(2.93) [74,4]	



PURE-FLO ORDER: - ITEM: -  
CUSTOMER: -  
CUSTOMER PO: -  
OTHER INFO: -

THIS DOCUMENT IS THE SOLE PROPERTY OF ITT CORPORATION, OR ITS SUBSIDIARY, AND IS PROVIDED SUBJECT TO RETURN. IT IS ISSUED IN STRICT CONFIDENCE AND SHALL NOT BE REPRODUCED, OR COPIED, OR DISCLOSED IN WHOLE OR IN PART, OR USED AS THE BASIS FOR THE MANUFACTURE OR SALES OF APPARATUS OR PARTS TO WHICH THE DOCUMENT RELATES, WITHOUT THE EXPRESS WRITTEN CONSENT OF ITT CORPORATION, OR ITS SUBSIDIARY. THIS LEGEND SHALL BE MARKED ON ANY REPRODUCTION HEREOF, IN WHOLE OR IN PART. ALL RIGHTS TO THE INFORMATION AND DESIGN DISCLOSED HEREIN ARE RESERVED TO ITT CORPORATION, OR ITS SUBSIDIARY.

THIRD ANGLE PROJECTION	UNLESS OTHERWISE NOTED	DATE	BY
	INCH MM	04/15/21	LFV
UNLESS OTHERWISE SPECIFIED, ALL DIMENSIONS ARE IN INCHES	X: ± 0.06 XX: ± 0.06 XXX: ± 0.02 X <sup>o</sup> : ± 1/16 X <sup>o</sup> : ± 1/8	CHKD 04/15/21	KRP
	X: ± 1/32 XX: ± 1/32 X <sup>o</sup> : ± 1/32	APVD 04/15/21	TJS

ZERO STATIC CENTER BACK 3/4"R - 2" ENV MAIN VALVE 2-1/2" - 3" PF MAIN VALVE 3/4"R ENV SAMPLE	ITT www.ittpureflo.com	SHEET 1 OF 1	REV -
MASTER DWG: A24734A/-	ECN# 18259	ISSUE BY: -	CERT BY: -