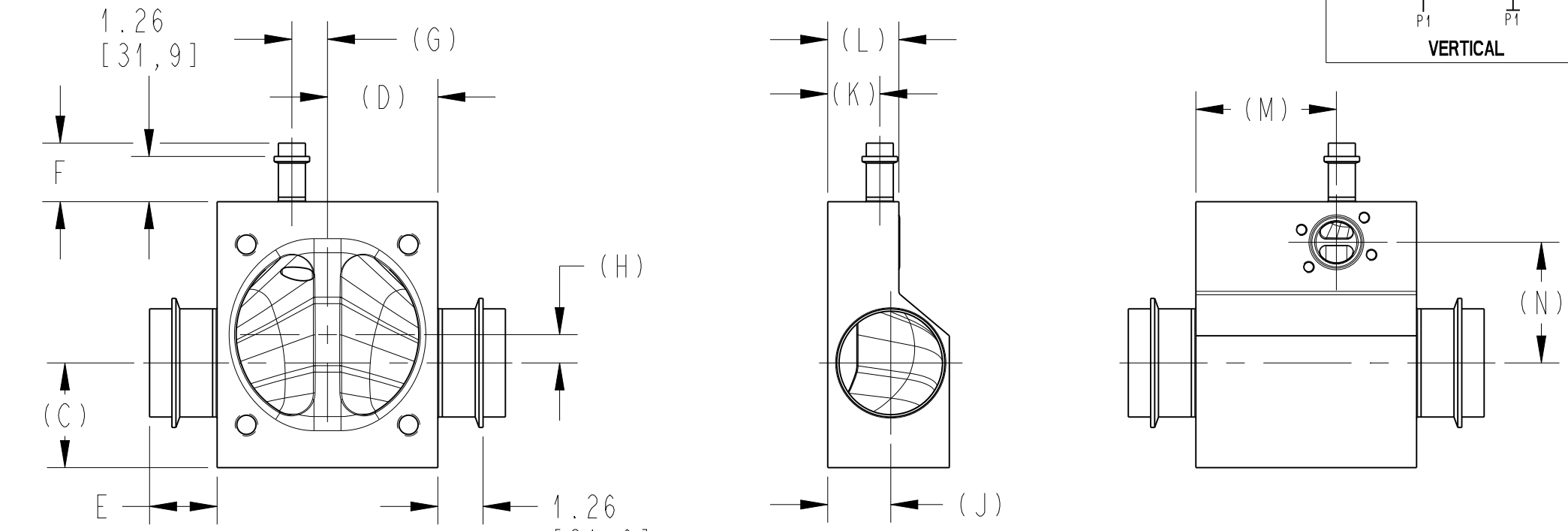
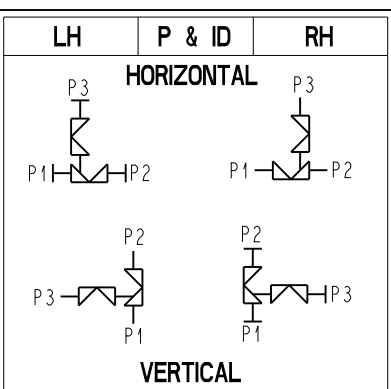


	MAIN X PURGE	A1	A2	A3	B1	B2	C	D	E	F	G	H	J	K	L	M	N	L/D			
RECESSED	2-1/2"PF X 1/2"EZ	(8.64) [219,4]	(9.26) [235,1]	(9.88) [250,9]	(5.98) [151,8]	(6.35) [161,2]	(2.65) [67,4]	(3.06) [77,8]	1.88 [47,6]	1.63 [41,3]	(1.11) [28,3] (0.99) [25,1]	(1.03) [26,3]	(1.50) [38,1]	(1.28) [32,4] (1.12) [28,4]	(1.65) [41,9]	(3.90) [99,1]	(3.35) [85,0]	-			
	2-1/2"PF X 3/4"REZ																				
STANDARD	2-1/2"PF X 3/4"EZ	(8.85) [224,7]	(9.47) [240,5]	(10.09) [256,2]	(5.98) [151,8]	(6.35) [161,2]	(2.65) [67,4]	(3.06) [77,8]	1.88 [47,6]	1.63 [41,3]	(1.86) [47,2]	(1.03) [26,3]	(1.50) [38,1]	(2.35) [59,6] (2.19) [55,6]	(2.88) [73,0]	(4.34) [110,1]	(2.49) [63,1]	-			
	2-1/2"PF X 1"EZ																	(1.73) [44,0]			(2.44) [61,9]
	2-1/2"PF X 1-1/2"EZ	(9.85) [250,1]	(10.47) [265,9]	(11.09) [281,6]							(2.11) [53,6]			(2.26) [57,4]	(3.51) [89,1]	(4.77) [121,0]	(1.49) [37,7]				
	2-1/2"PF X 2"EZ	(10.22) [259,6]	(10.84) [275,3]	(11.46) [291,1]		(6.60) [167,6]				1.88 [47,6]	(2.09) [53,2]			(2.26) [57,4]	(3.51) [89,1]	(4.77) [121,0]	(1.49) [37,7]				
RECESSED	3"PF X 1/2"EZ	(8.64) [219,4]	(9.26) [235,1]	(9.88) [250,9]	(5.73) [145,5]	(6.10) [154,9]	(2.90) [73,8]	(3.06) [77,8]	1.88 [47,6]	1.63 [41,3]	(1.11) [28,3] (0.99) [25,1]	(0.78) [19,9]	(1.75) [44,5]	(1.60) [40,6] (1.45) [36,7]	(1.98) [50,2]	(3.90) [99,1]	(3.35) [85,0]	2.5			
	3"PF X 3/4"REZ																				
STANDARD	3"PF X 3/4"EZ	(8.85) [224,7]	(9.47) [240,5]	(10.09) [256,2]	(5.73) [145,5]	(6.10) [154,9]	(2.90) [73,8]	(3.06) [77,8]	1.88 [47,6]	1.63 [41,3]	(1.86) [47,2]	(0.78) [19,9]	(1.75) [44,5]	(2.85) [72,3] (2.69) [68,3]	(3.38) [85,7]	(4.34) [110,1]	(2.39) [60,6]	-			
	3"PF X 1"EZ																	(1.73) [44,0]			(2.90) [73,6]
	3"PF X 1-1/2"EZ	(9.85) [250,1]	(10.47) [265,9]	(11.09) [281,6]							(2.11) [53,6]			(2.22) [56,4]	(3.90) [99,0]	(4.65) [118,1]	(1.94) [49,2]				
	3"PF X 2"EZ	(10.22) [259,6]	(10.84) [275,3]	(11.46) [291,1]		(6.35) [161,2]				1.88 [47,6]	(2.09) [53,2]			(2.72) [69,1]	(3.97) [100,9]	(4.77) [121,0]	(1.74) [44,1]				
RECESSED	4"PF X 1/2"EZ	(11.51) [292,4]	(12.38) [314,5]	(13.25) [336,6]	(6.58) [167,1]	(6.95) [176,5]	(3.68) [93,4]	(4.50) [114,3]	2.13 [54,0]	1.63 [41,3]	(1.24) [31,5] (1.11) [28,3]	(0.82) [20,9]	(2.75) [69,9]	(2.00) [50,8] (1.85) [46,9]	(2.38) [60,3]	(5.46) [138,7]	(4.12) [104,7]	3.1			
	4"PF X 3/4"REZ																		(1.98) [50,4]		
	4"PF X 3/4"EZ							(7.11) [180,7]	(7.48) [190,1]					(1.86) [47,2]			(2.06) [52,4]	(2.75) [69,9]	(5.90) [149,8]	(4.47) [113,6]	2.4
	4"PF X 1"EZ																				-
STANDARD	4"PF X 1-1/2"EZ	(11.51) [292,4]	(12.38) [314,5]	(13.25) [336,6]	(6.58) [167,1]	(6.95) [176,5]	(3.68) [93,4]	(4.50) [114,3]	2.13 [54,0]	1.63 [41,3]	(2.24) [56,8]	(0.82) [20,9]	(2.75) [69,9]	(4.22) [107,2]	(5.22) [132,6]	(6.21) [157,7]	(2.42) [61,4]	-			
	4"PF X 2"EZ	(11.78) [299,3]	(12.65) [321,4]	(13.52) [343,5]	(7.20) [182,8]					1.88 [47,6]	(2.22) [56,4]			(4.07) [103,4]	(5.32) [135,1]	(6.33) [160,7]	(2.22) [56,3]				

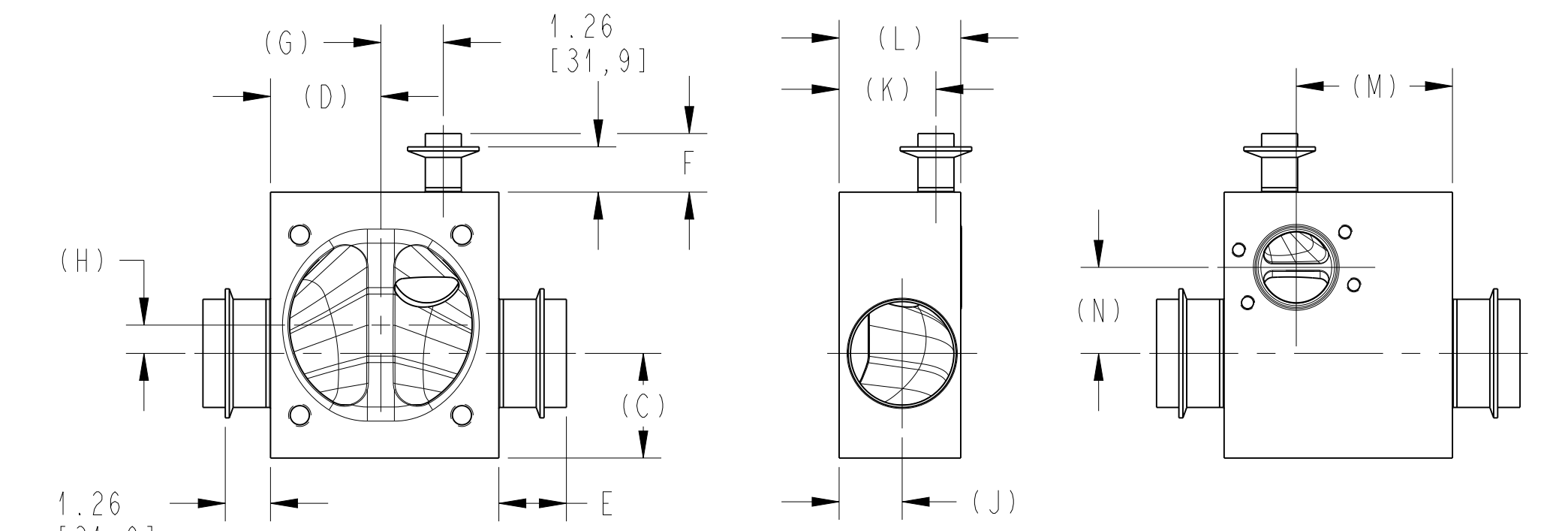
NOTE: UNLESS OTHERWISE SPECIFIED.  
1. BODY DRAWING NUMBER K26154A  
2. ALL INSTANCES MARKED AS "-" MEET AN L/D OF 2 OR LESS.



FRONT VIEW

SIDE VIEW  
RECESSED

BACK VIEW

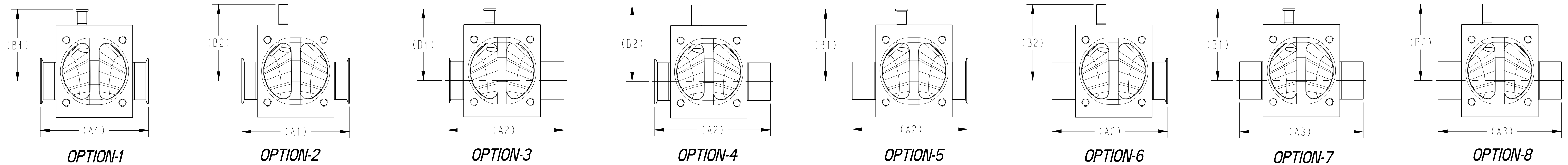


FRONT VIEW

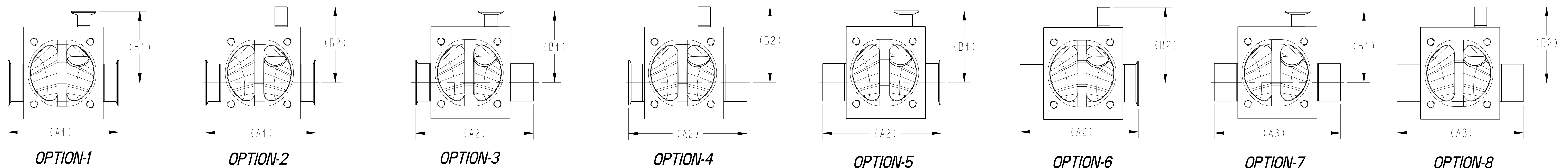
SIDE VIEW  
STANDARD

BACK VIEW

FRONT VIEW LH OPTIONS

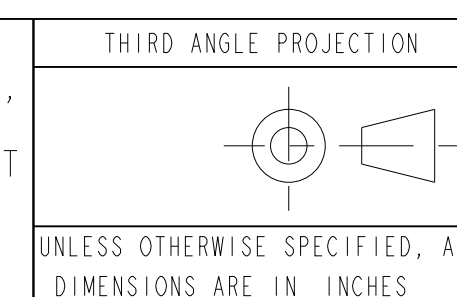


FRONT VIEW RH OPTIONS



PURE-FLO ORDER: - ITEM: -  
CUSTOMER: -  
CUSTOMER PO: -  
OTHER INFO: -

THIS DOCUMENT IS THE SOLE PROPERTY OF ITT CORPORATION, OR ITS SUBSIDIARY, AND IS PROVIDED SUBJECT TO RETURN. IT IS ISSUED IN STRICT CONFIDENCE AND SHALL NOT BE REPRODUCED, OR COPIED, OR DISCLOSED IN WHOLE OR IN PART, OR USED AS THE BASIS FOR THE MANUFACTURE OR SALES OF APPARATUS OR PARTS TO WHICH THE DOCUMENT RELATES, WITHOUT THE EXPRESS WRITTEN CONSENT OF ITT CORPORATION, OR ITS SUBSIDIARY. THIS LEGEND SHALL BE MARKED ON ANY REPRODUCTION HEREOF, IN WHOLE OR IN PART. ALL RIGHTS TO THE INFORMATION AND DESIGN DISCLOSED HEREIN ARE RESERVED TO ITT CORPORATION, OR ITS SUBSIDIARY.



UNLESS OTHERWISE NOTED  
INCH  
MM

DATE 05/12/21  
BY LFW  
CHKD 05/12/21 KRP  
APVD 05/12/21 TJS

ISG INVERTED PURE-FLO X ENVIZION  
2-1/2" - 4" PUREFLO MAIN  
1/2" - 2" ENVIZION PURGE

ITT  
www.ittpureflo.com

D A25990A SHEET 1 OF 1 REV -  
ISSUE BY: - CERT BY: -