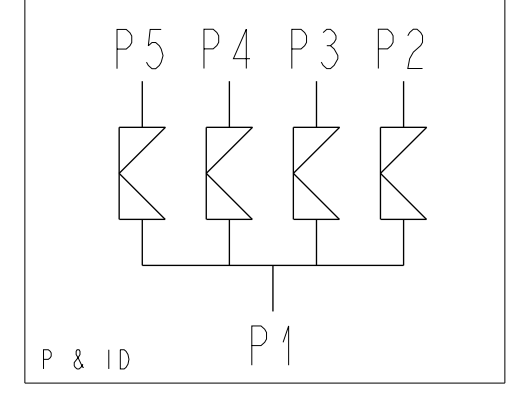


VALVE SIZE	A	A1	B	B1	C	C1	D	D1	E	E1	F	G	H	H1	(K)	(L)	(M)
1/4" BP/BT	1.63 [41,3]	1.26 [31,9]	2.38 [60,3]	2.01 [50,9]	5.88 [149,2]	5.51 [139,8]	6.67 [169,4]	4.67 [118,6]	7.28 [184,8]	5.91 [150,0]	4.51 [114,4]	2.75 [69,9]	4.15 [105,5]	3.15 [80,1]	2.000 [50,80]	1/4-20 UNC-2B	0.500 [12,70]
3/8" BP/BT	1.63 [41,3]	1.26 [31,9]	2.38 [60,3]	2.01 [50,9]	5.88 [149,2]	5.51 [139,8]	6.67 [169,4]	4.67 [118,6]	7.67 [194,9]	6.30 [160,1]	4.83 [122,8]	2.75 [69,9]	4.55 [115,6]	3.55 [90,2]			
1/2" BP/BT	1.63 [41,3]	1.26 [31,9]	2.38 [60,3]	2.01 [50,9]	6.25 [158,8]	5.88 [149,4]	7.42 [188,4]	4.67 [118,6]	8.00 [203,1]	6.38 [161,9]	4.98 [126,4]	3.13 [79,4]	4.87 [123,7]	3.62 [92,0]			
1/2" PF	1.63 [41,3]	1.26 [31,9]	2.56 [65,1]	2.19 [55,7]	6.63 [168,3]	6.26 [158,9]	7.75 [196,9]	5.00 [127,0]	8.37 [212,6]	6.75 [171,5]	5.31 [134,8]	3.13 [79,4]	4.87 [123,7]	3.62 [92,0]	2.000 [50,80]	1/4-20 UNC-2B	0.500 [12,70]
3/4"	1.63 [41,3]	1.26 [31,9]	2.81 [71,4]	2.44 [62,0]	7.13 [181,0]	6.76 [171,6]	7.94 [201,7]	5.19 [131,8]	9.23 [234,3]	7.61 [193,2]	5.71 [145,0]	3.13 [79,4]	5.23 [132,7]	3.98 [101,0]			
1"	1.63 [41,3]	1.26 [31,9]	3.00 [76,2]	2.63 [66,8]	7.50 [190,5]	7.13 [181,1]	8.25 [209,6]	6.25 [158,8]	9.87 [250,6]	8.37 [212,6]	6.24 [158,5]	3.13 [79,4]	5.49 [139,5]	4.37 [110,9]			
1-1/2"	1.63 [41,3]	1.26 [31,9]	3.44 [87,3]	3.07 [77,9]	9.13 [231,8]	8.76 [222,4]	10.69 [271,5]	8.69 [220,7]	11.70 [297,1]	10.27 [260,8]	7.97 [202,5]	3.88 [98,4]	6.45 [163,8]	5.39 [136,8]	5.000 [127,00]	3/8-16 UNC-2B	0.750 [19,05]
2"	1.88 [47,6]	1.26 [31,9]	4.00 [101,6]	3.38 [85,9]	11.00 [279,4]	10.38 [263,7]	13.74 [349,1]	11.24 [285,6]	13.96 [354,5]	12.09 [307,0]	10.17 [258,4]	4.88 [123,8]	7.83 [199,0]	6.58 [167,2]			
2-1/2"	1.88 [47,6]	1.26 [31,9]	4.94 [125,4]	4.32 [109,7]	13.63 [346,1]	13.01 [330,3]	16.13 [409,6]	13.63 [346,1]	17.00 [431,9]	15.07 [382,8]	12.02 [305,4]	5.63 [142,9]	9.00 [228,7]	7.69 [195,4]			
3"	1.88 [47,6]	1.26 [31,9]	4.94 [125,4]	4.32 [109,7]	14.38 [365,1]	13.76 [349,4]	18.51 [470,2]	16.01 [406,7]	17.96 [456,2]	16.09 [408,7]	13.70 [348,0]	6.38 [161,9]	9.96 [253,0]	8.71 [221,2]	9.000 [228,60]	1/2-13 UNC-2B	1.000 [25,40]

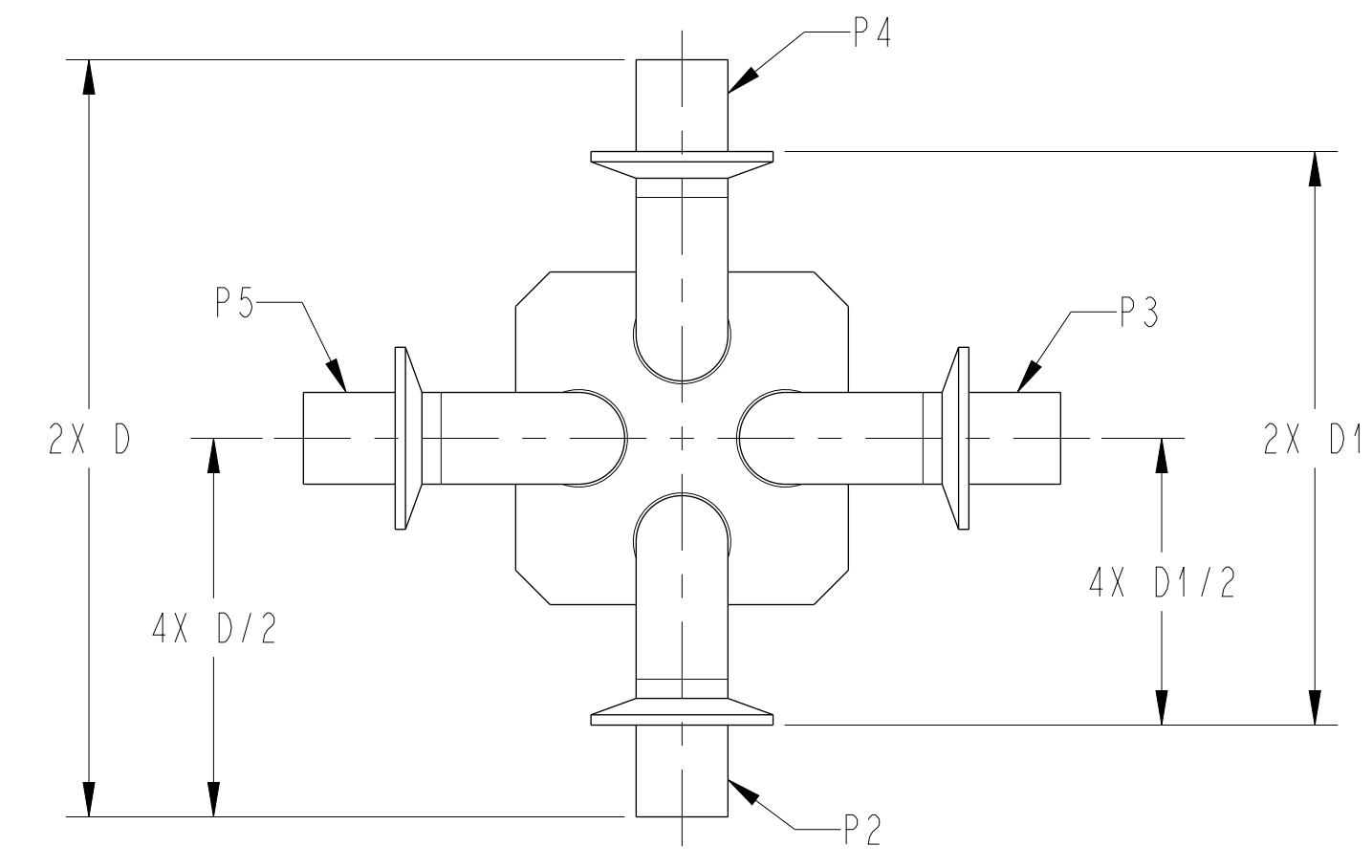
- NOTES:
- "P" NUMBERS INDICATE PORT CONNECTION
 - TUBE ENDS MEET OR EXCEED THE FOLLOWING TANGENT LENGTHS
1/4" - 1-1/2" = 1-1/2", 2" - 3" = 1-3/4"
 - VALVE MUST BE INSTALLED WITH P1 VERTICALLY (UP OR DOWN) FOR OPTIMAL DRAINABILITY.
 - WELD WILL BE LEFT IN AS WELDED CONDITION.
 - SEE DRAWING 123677 FOR OPTION-2 ELBOW FABRICATION.

ITEM	DESCRIPTION
1	4DV BODY, (121247)
2	ELBOW 90 DEG BPE
3	ELBOW 90 DEG BPE W/ TC
4	FERRULE TRI-CLAMP BW
5	ELBOW 45 DEG BPE
6	ELBOW 45 DEG BPE W/ TC
7	TUBE

TAG NUMBERS					
	A	1	2	3	4
	VALVE ASSY	FIRST VALVE	SECOND VALVE	THIRD VALVE	FOURTH VALVE
1					

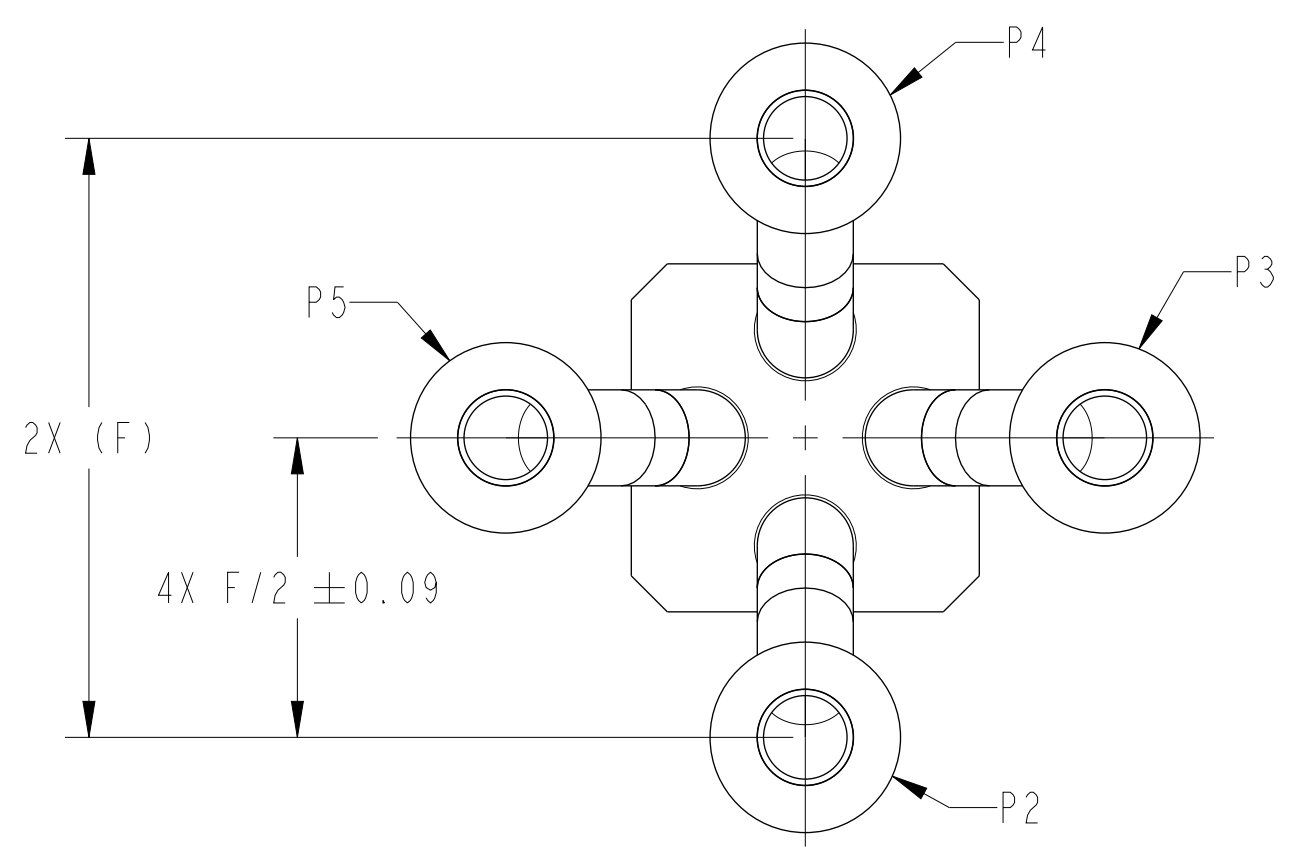


OPTION-1

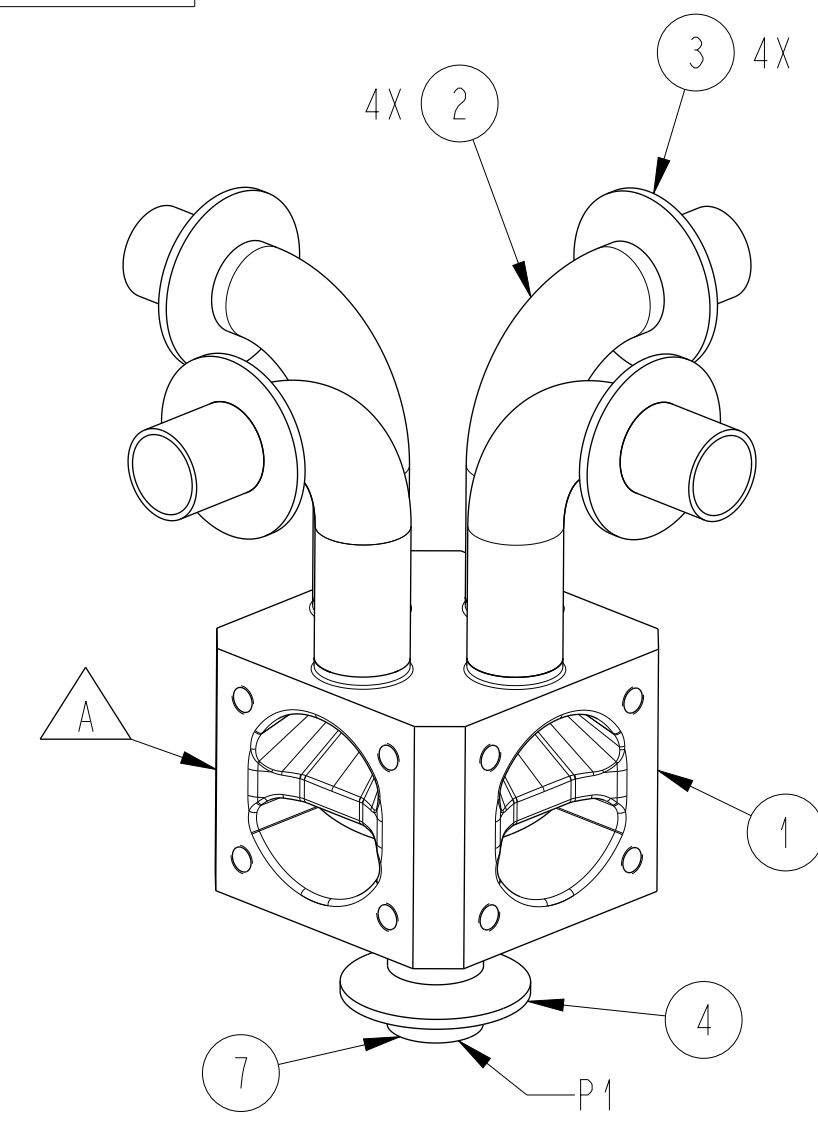


TOP VIEW

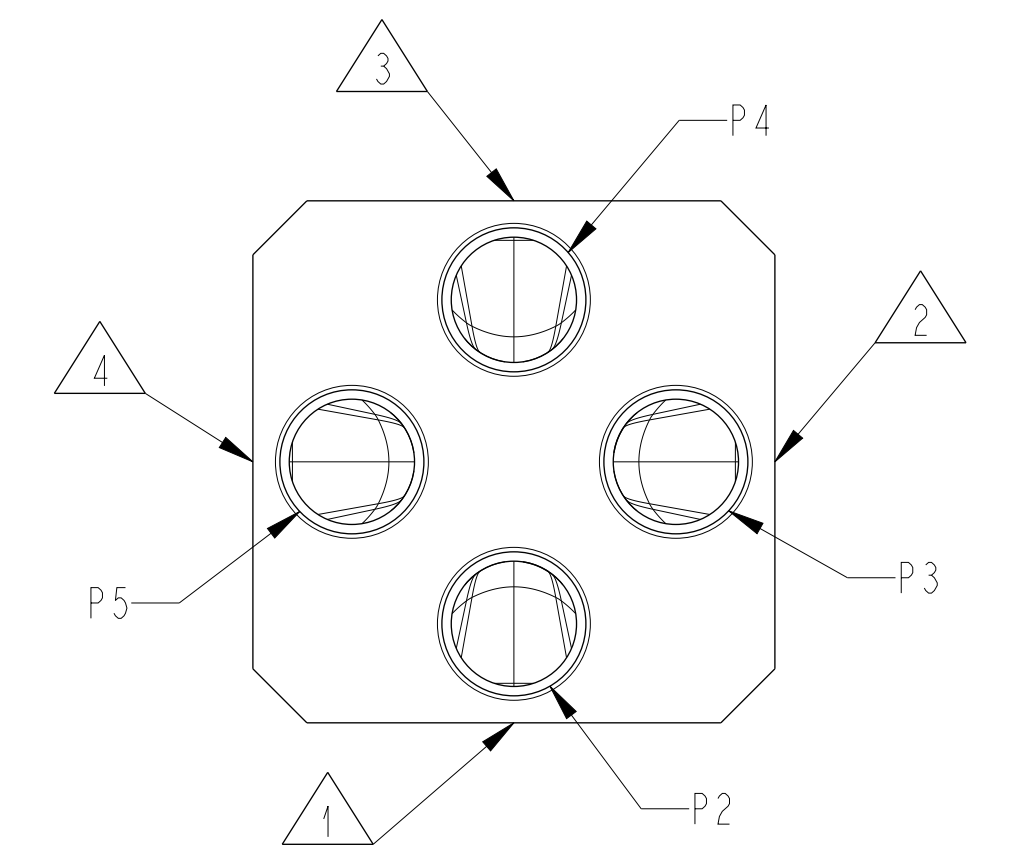
OPTION-2



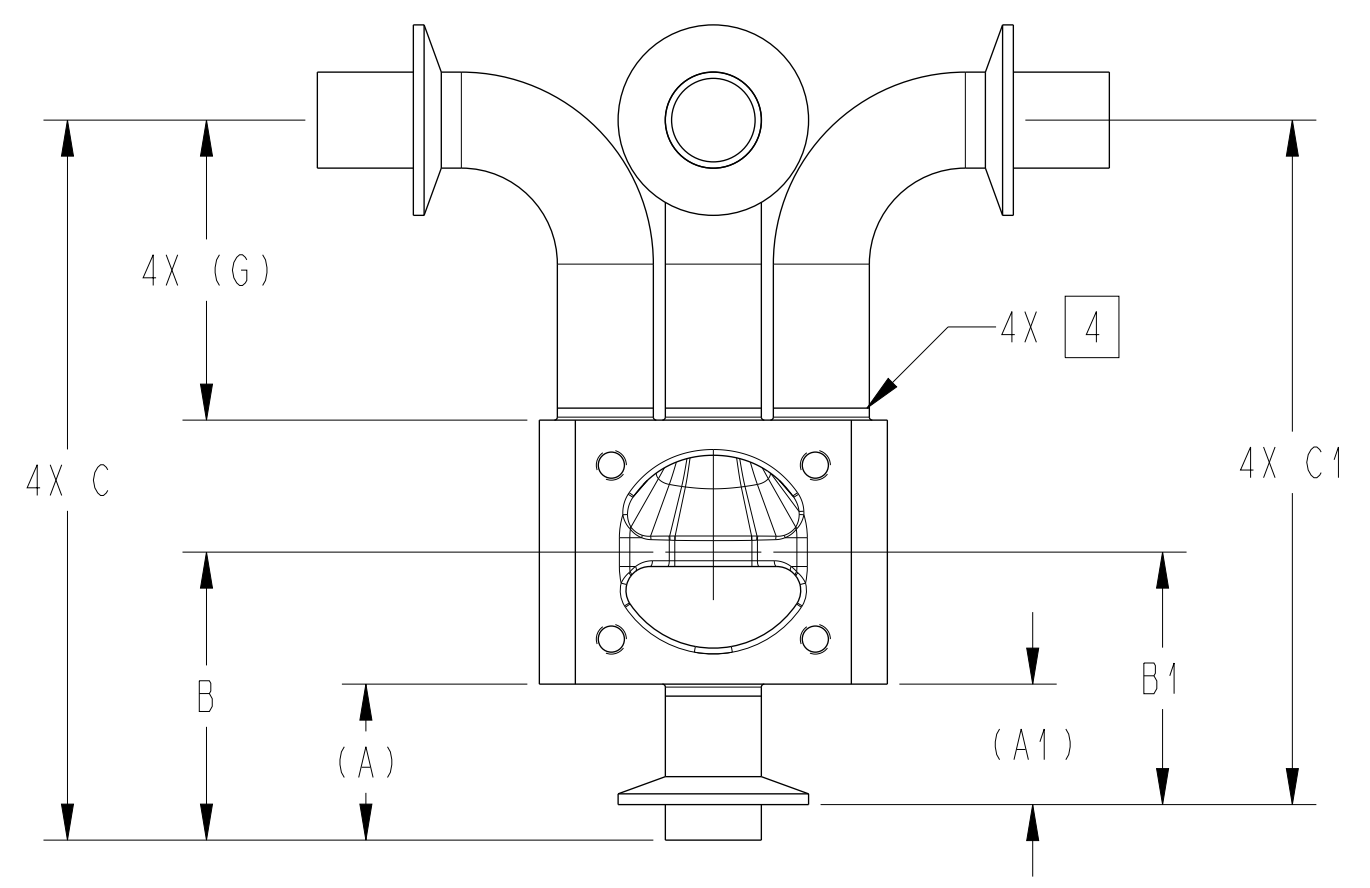
TOP VIEW



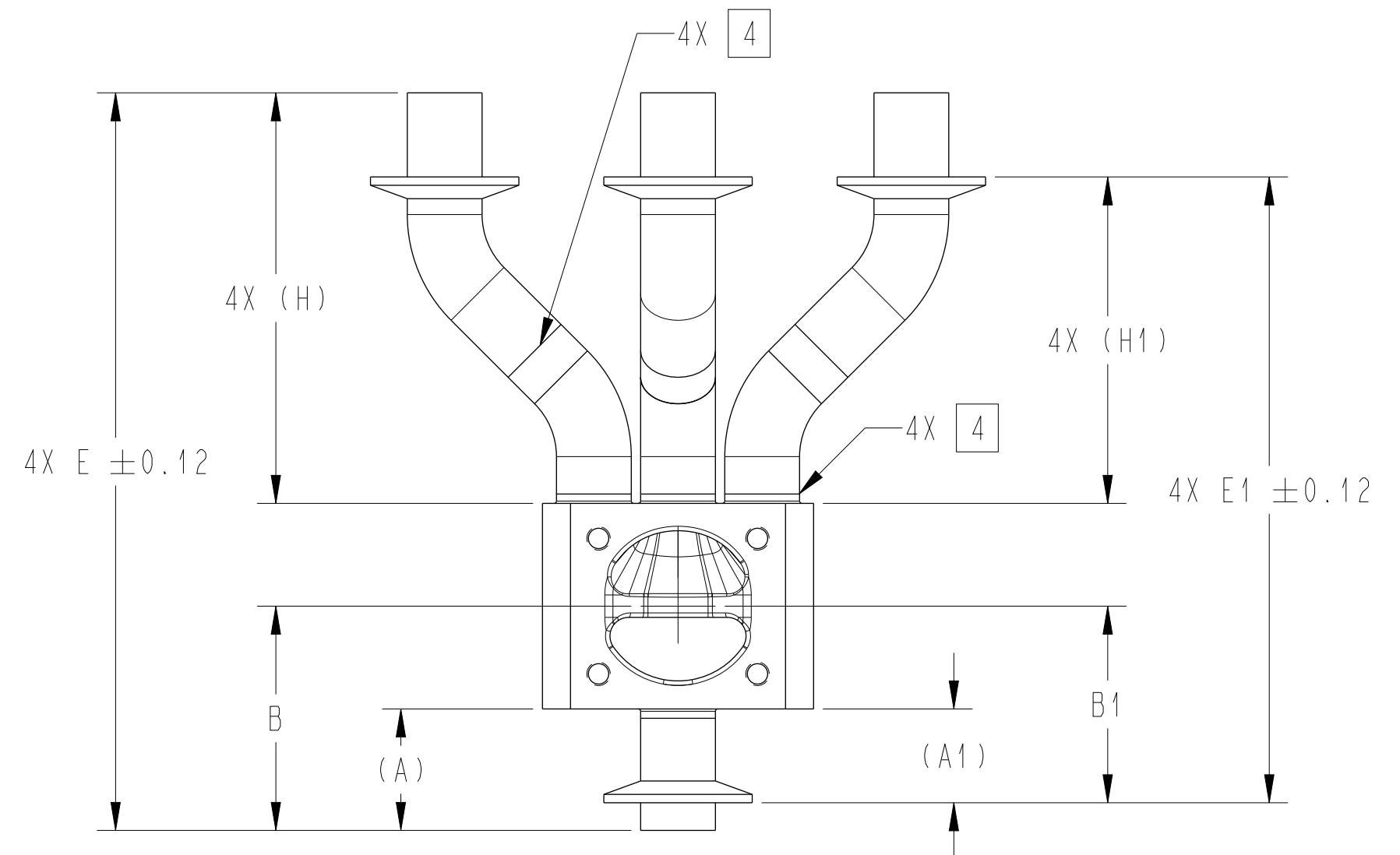
ISOMETRIC VIEW



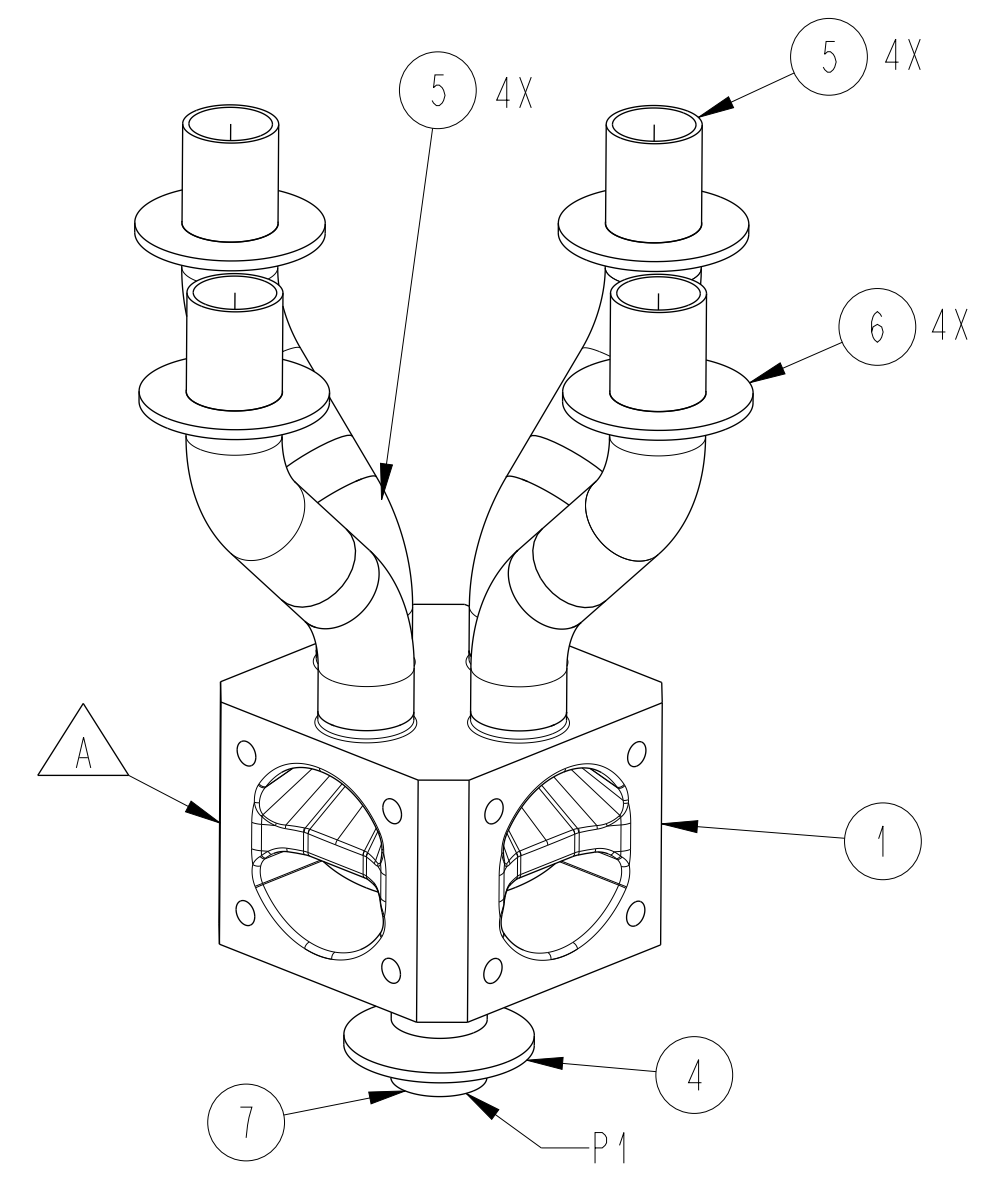
**TOP VIEW
BODY ONLY**



**FRONT VIEW
INSTALLATION ORIENTATION 3**

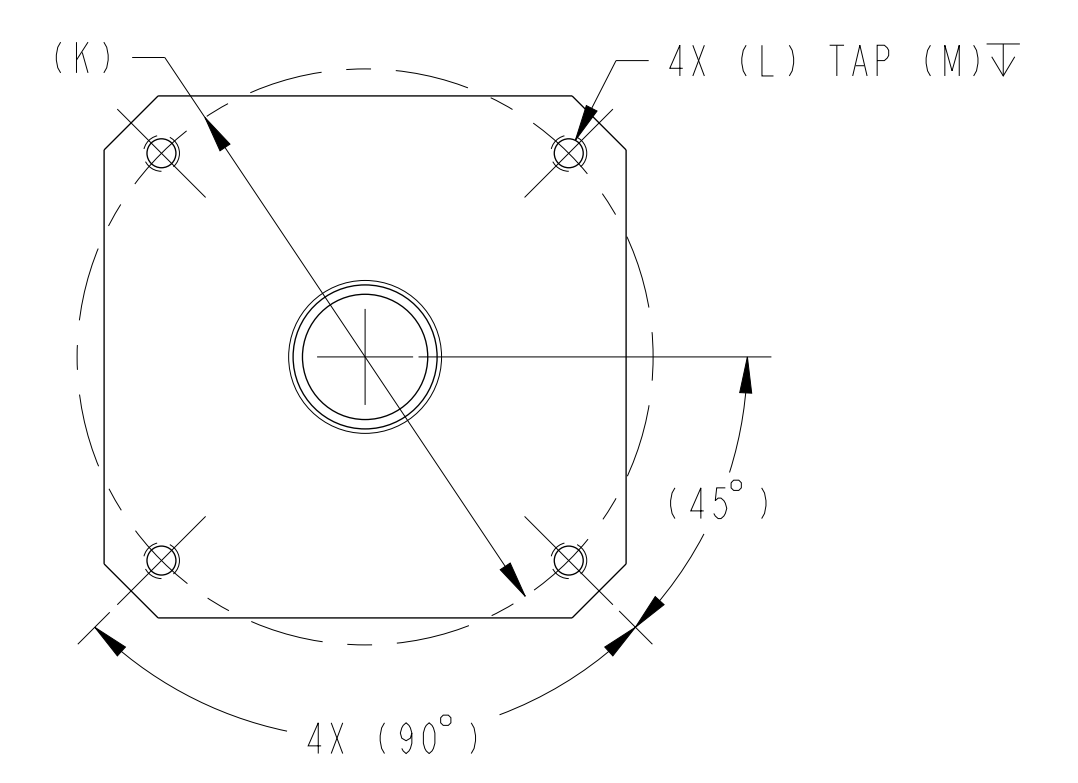


**FRONT VIEW
INSTALLATION ORIENTATION 3**



ISOMETRIC VIEW

OPTIONAL MOUNTING HOLES



BOTTOM VIEW

PURE-FLO ORDER: - ITEM: -
 CUSTOMER: -
 CUSTOMER PO: -
 OTHER INFO: -

THIS DOCUMENT IS THE SOLE PROPERTY OF ITT CORPORATION, OR ITS SUBSIDIARY, AND IS PROVIDED SUBJECT TO RETURN. IT IS ISSUED IN STRICT CONFIDENCE AND SHALL NOT BE REPRODUCED, OR COPIED, OR DISCLOSED IN WHOLE OR IN PART, OR USED AS THE BASIS FOR THE MANUFACTURE OR SALES OF APPARATUS OR PARTS TO WHICH THE DOCUMENT RELATES, WITHOUT THE EXPRESS WRITTEN CONSENT OF ITT CORPORATION, OR ITS SUBSIDIARY. THIS LEGEND SHALL BE MARKED ON ANY REPRODUCTION HEREOF, IN WHOLE OR IN PART. ALL RIGHTS TO THE INFORMATION AND DESIGN DISCLOSED HEREIN ARE RESERVED TO ITT CORPORATION, OR ITS SUBSIDIARY.

THIRD ANGLE PROJECTION

 UNLESS OTHERWISE SPECIFIED, ALL DIMENSIONS ARE IN INCHES

UNLESS OTHERWISE NOTED
 INCH MM
 X ± 0.06 X ± 1.5
 .XX ± 0.06 .XX ± 1.5
 .XXX ± 0.02 .XX ± 1.5
 X ± 1.5 X ± 1.5
 X ± 1.5 X ± 1.5

DATE BY
 DWN 08/16/23 LJV
 CHKD 08/22/23 KRP
 APVD 08/22/23 TJS

1/4" TO 3" 4-WAY DIVERT VALVE
 ASSY. OPTIONS 1 & 2
 TCE & AWE TABULATED
 MASTER DWG: A26773/D ECN# 19213

ITT
 www.ittpureflo.com
 SHEET REV
 1 OF 1 D
 A26773
 ISSUE BY: - CERT BY: -