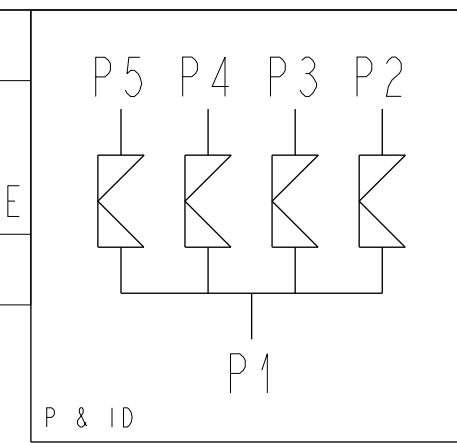


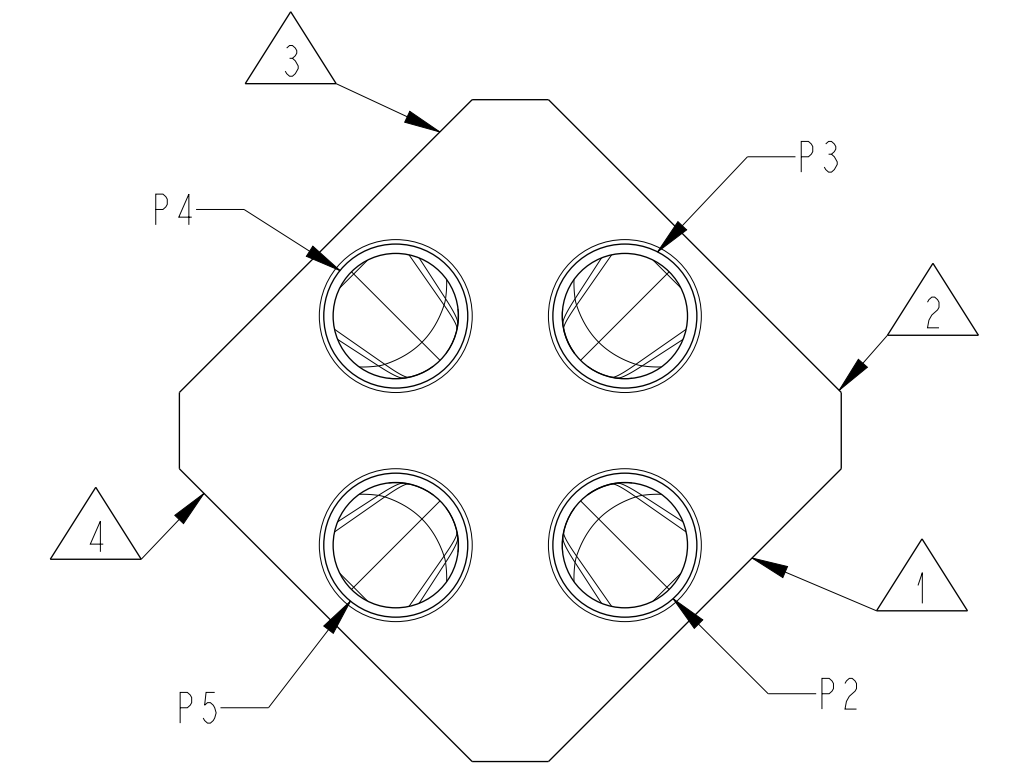
VALVE SIZE	A	A1	B	B1	C	C1	D	E	E1	F	(K)	(L)	(M)
1/4" BP/BT	1.63 [41,3]	1.26 [31,9]	2.38 [60,3]	2.01 [50,9]	5.88 [149,2]	5.51 [139,8]	15.13 [384,4]	4.26 [108,1]	3.26 [82,7]	2.75 [69,9]	2.00 [50,8]	1/4-20 UNC-2B	0.50 [12,7]
3/8" BP/BT	1.63 [41,3]	1.26 [31,9]	2.38 [60,3]	2.01 [50,9]	5.88 [149,2]	5.51 [139,8]	16.12 [409,5]	4.65 [118,2]	3.65 [92,8]	2.75 [69,9]			
1/2" BP/BT	1.63 [41,3]	1.26 [31,9]	2.38 [60,3]	2.01 [50,9]	6.25 [158,8]	5.88 [149,4]	17.05 [433,0]	4.81 [122,1]	3.81 [96,7]	3.13 [79,4]			
1/2" PF	1.63 [41,3]	1.26 [31,9]	2.56 [65,1]	2.19 [55,7]	6.63 [168,3]	6.26 [158,9]	17.76 [451,1]	4.93 [125,1]	3.93 [99,7]	3.13 [79,4]	2.00 [50,8]	1/4-20 UNC-2B	0.50 [12,7]
3/4"	1.63 [41,3]	1.26 [31,9]	2.81 [71,4]	2.44 [62,0]	7.13 [181,0]	6.76 [171,6]	18.82 [478,0]	5.10 [129,6]	4.10 [104,2]	3.13 [79,4]			
1"	1.63 [41,3]	1.26 [31,9]	3.00 [76,2]	2.63 [66,8]	7.50 [190,5]	7.13 [181,1]	20.14 [511,5]	5.48 [139,1]	4.48 [113,7]	3.13 [79,4]			
1-1/2"	1.63 [41,3]	1.26 [31,9]	3.44 [87,3]	3.07 [77,9]	9.13 [231,8]	8.76 [222,4]	26.63 [676,3]	6.87 [174,5]	5.87 [149,1]	3.88 [98,4]	6.00 [152,4]	3/8-16 UNC-2B	0.75 [19,0]
2"	1.88 [47,6]	1.26 [31,9]	4.00 [101,6]	3.38 [85,9]	11.00 [279,4]	10.38 [263,7]	34.43 [874,4]	8.73 [221,7]	7.48 [190,0]	4.88 [123,8]			
2-1/2"	1.88 [47,6]	1.26 [31,9]	4.94 [125,4]	4.32 [109,7]	13.63 [346,1]	13.01 [330,3]	40.80 [1036,2]	10.10 [256,6]	8.85 [224,9]	5.63 [142,9]			
3"	1.88 [47,6]	1.26 [31,9]	4.94 [125,4]	4.32 [109,7]	14.38 [365,1]	13.76 [349,4]	47.17 [1198,2]	11.48 [291,5]	10.23 [259,7]	6.38 [161,9]	9.00 [228,6]	1/2-13 UNC-2B	1.00 [25,4]

TAG NUMBERS				
(A)	(1)	(2)	(3)	(4)
VALVE ASSY	FIRST VALVE	SECOND VALVE	THIRD VALVE	FOURTH VALVE
1				

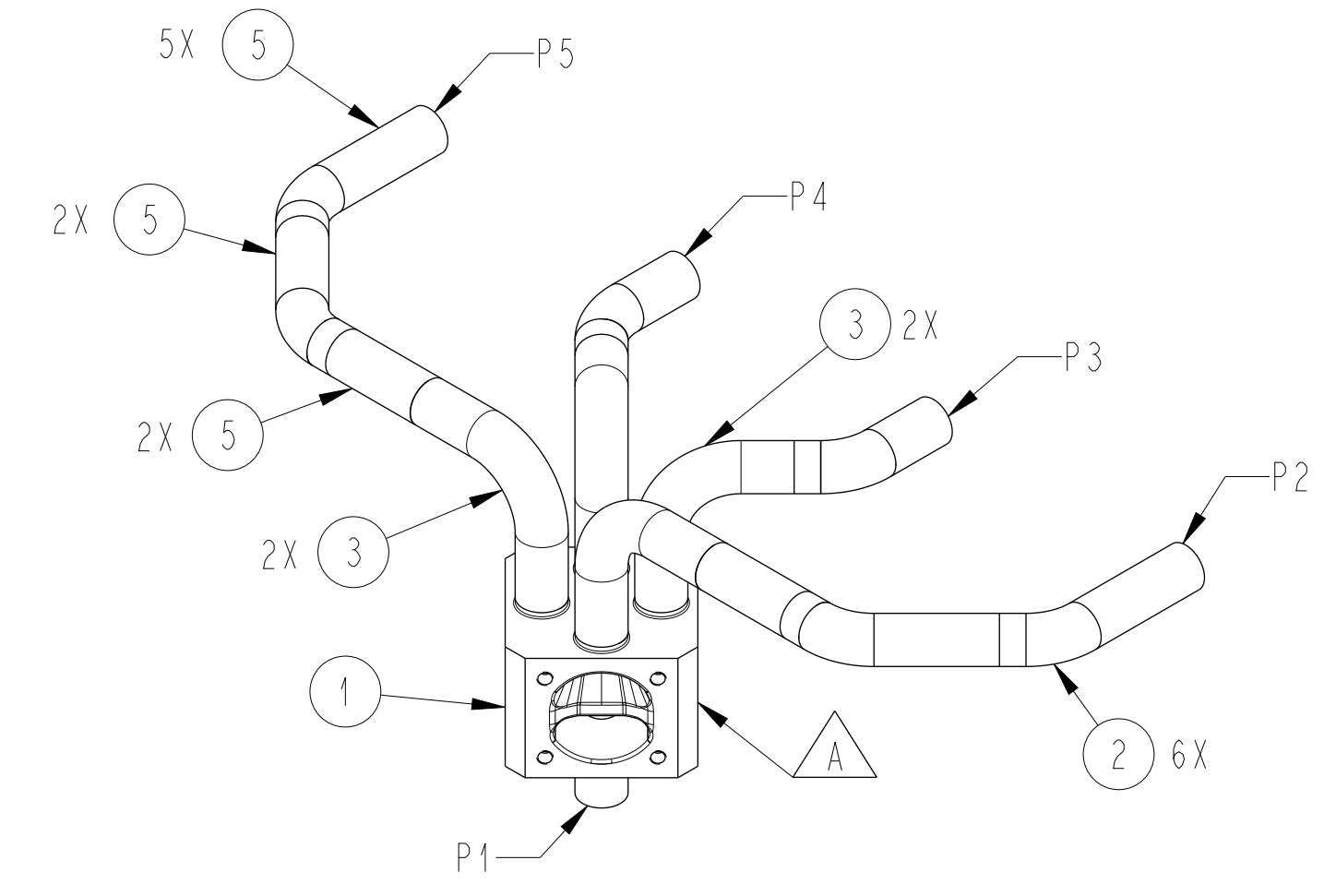


LIST OF MAJOR COMPONENTS	
ITEM	DESCRIPTION
1	4DV BODY, (121247)
2	ELBOW 45 DEG BPE
3	ELBOW 90 DEG BPE
4	FERRULE TRI-CLAMP
5	TUBING

- NOTES:
- "P" NUMBERS INDICATE PORT CONNECTION.
 - TUBE ENDS MEET OR EXCEED THE FOLLOWING TANGENT LENGTHS
1/4"-1-1/2"=1-1/2", 2"-3"=1-3/4"
 - VALVE MUST BE INSTALLED WITH P1 VERTICALLY (UP OR DOWN) FOR OPTIMAL DRAINABILITY.
 - ALL ELBOW WELD WILL BE IN AS WELDED CONDITION, EXCEPT WHERE CONNECTED TO FERRULE.

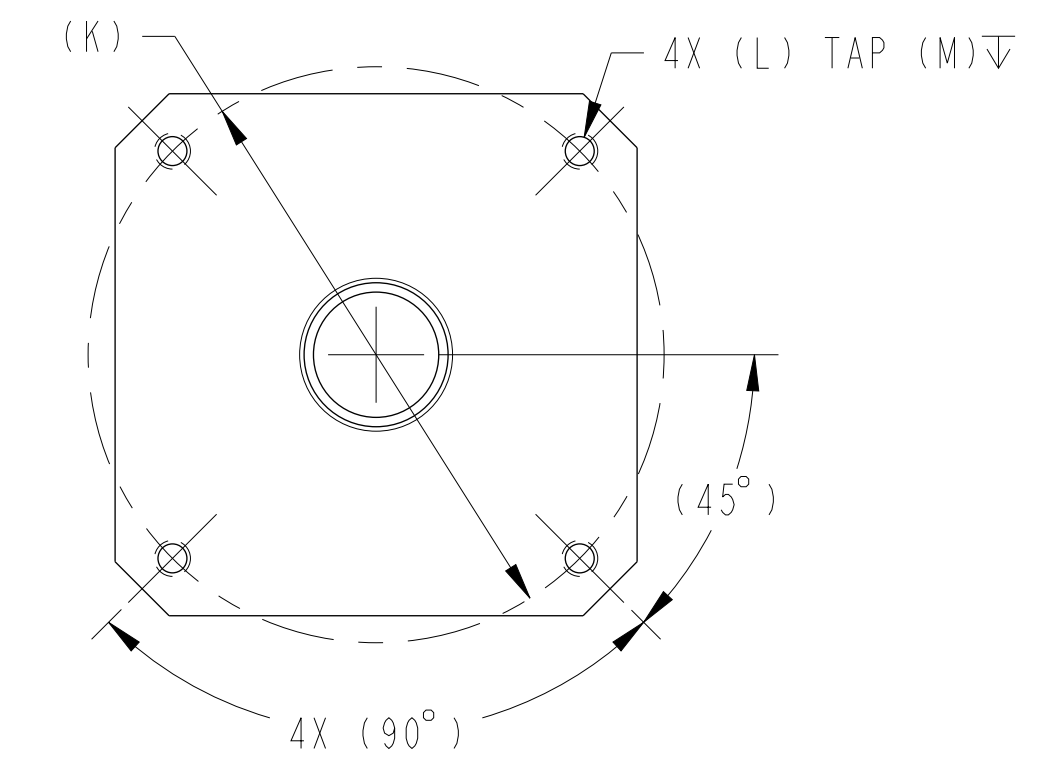


TOP VIEW
BODY ONLY

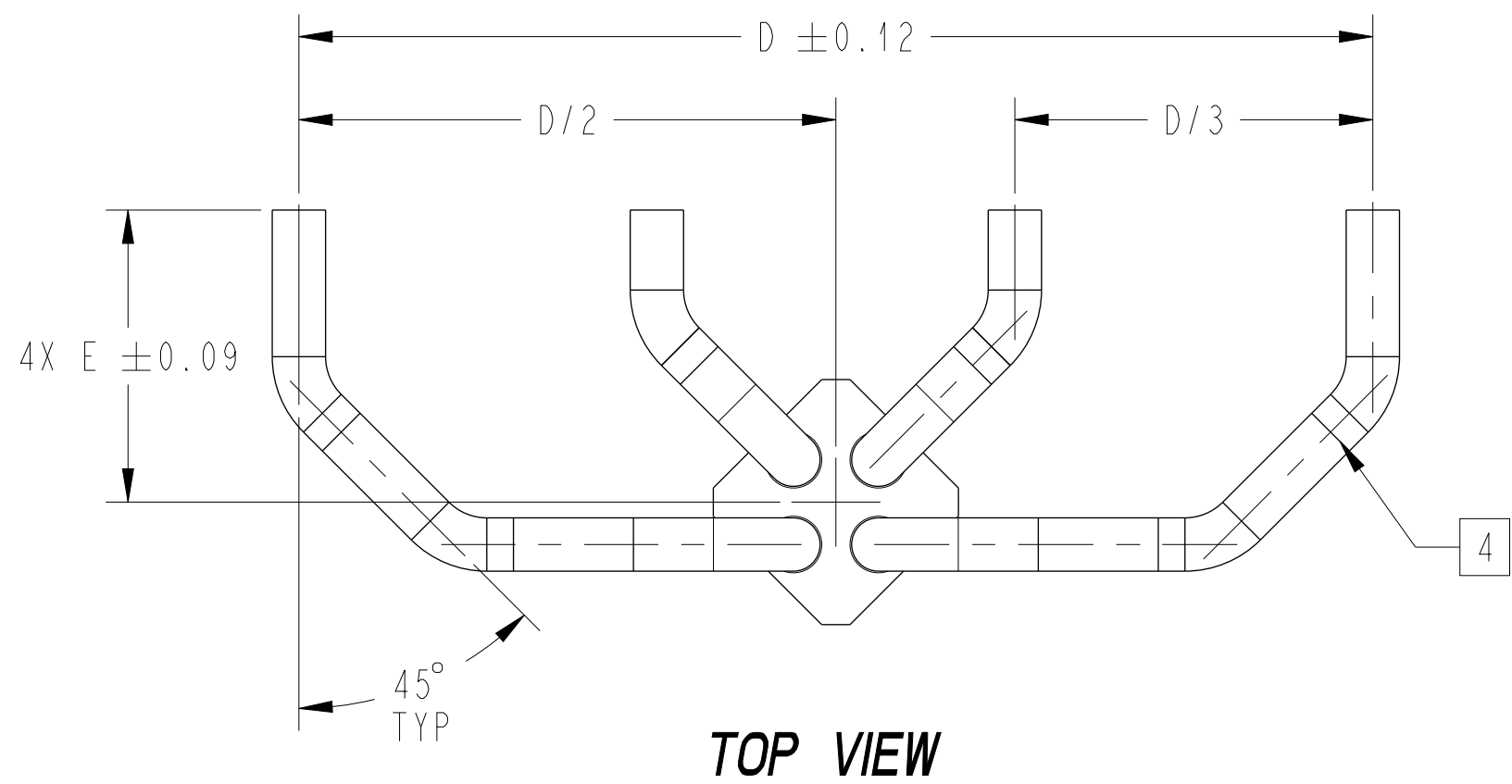


ISOMETRIC VIEW

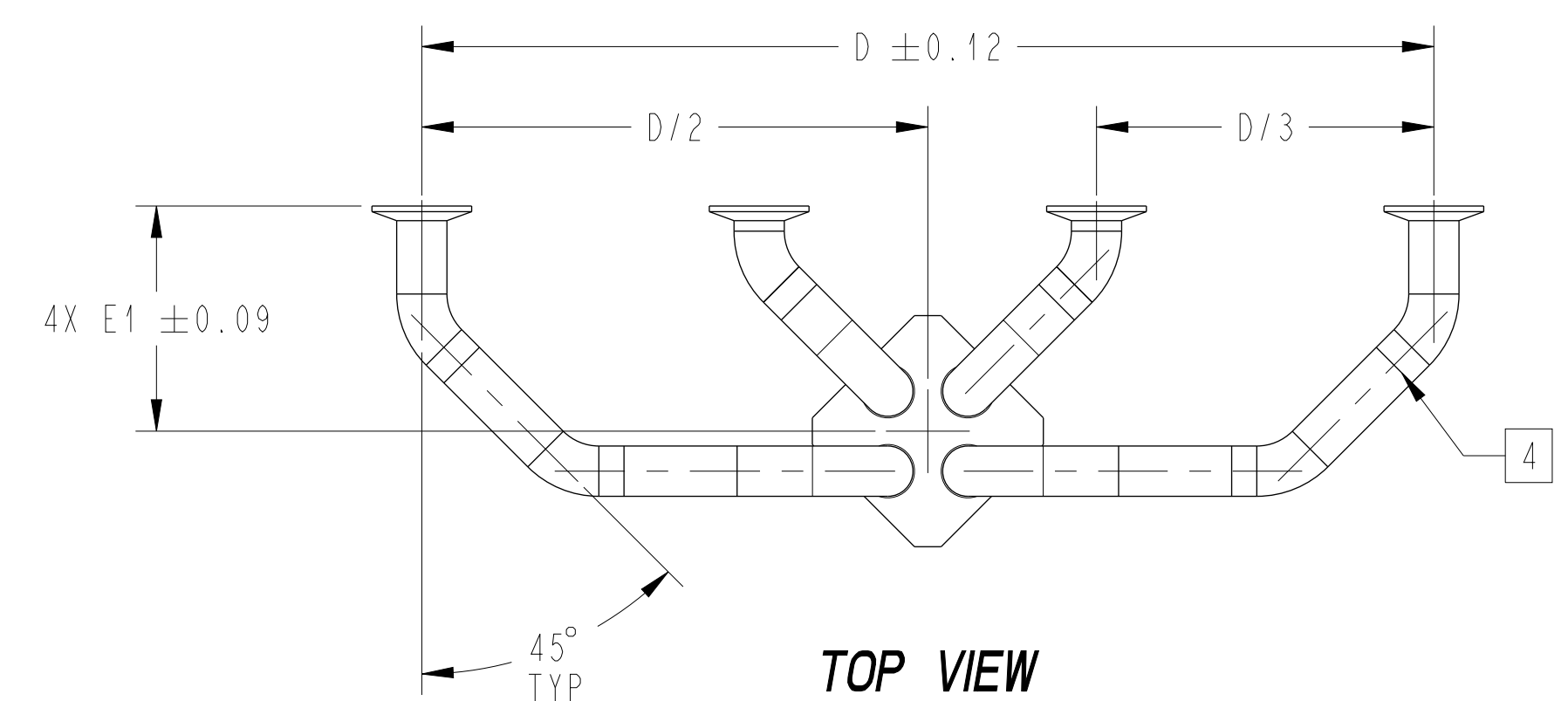
OPTIONAL MOUNTING HOLES



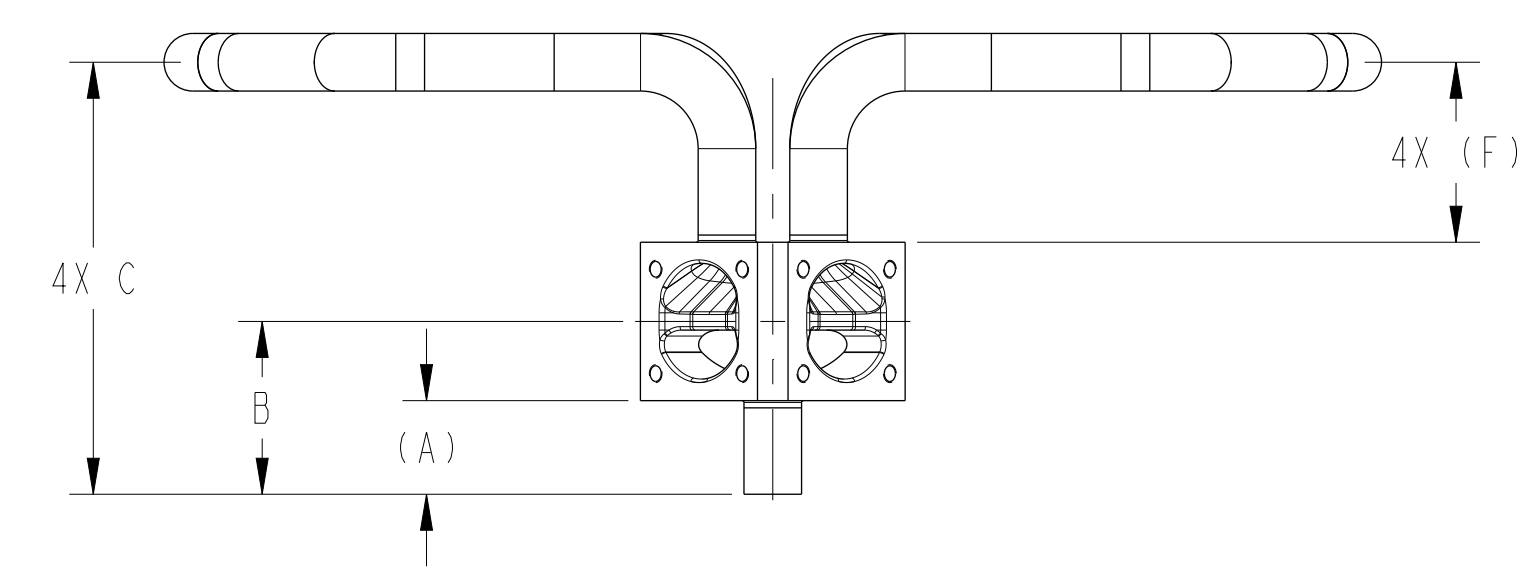
BOTTOM VIEW



TOP VIEW

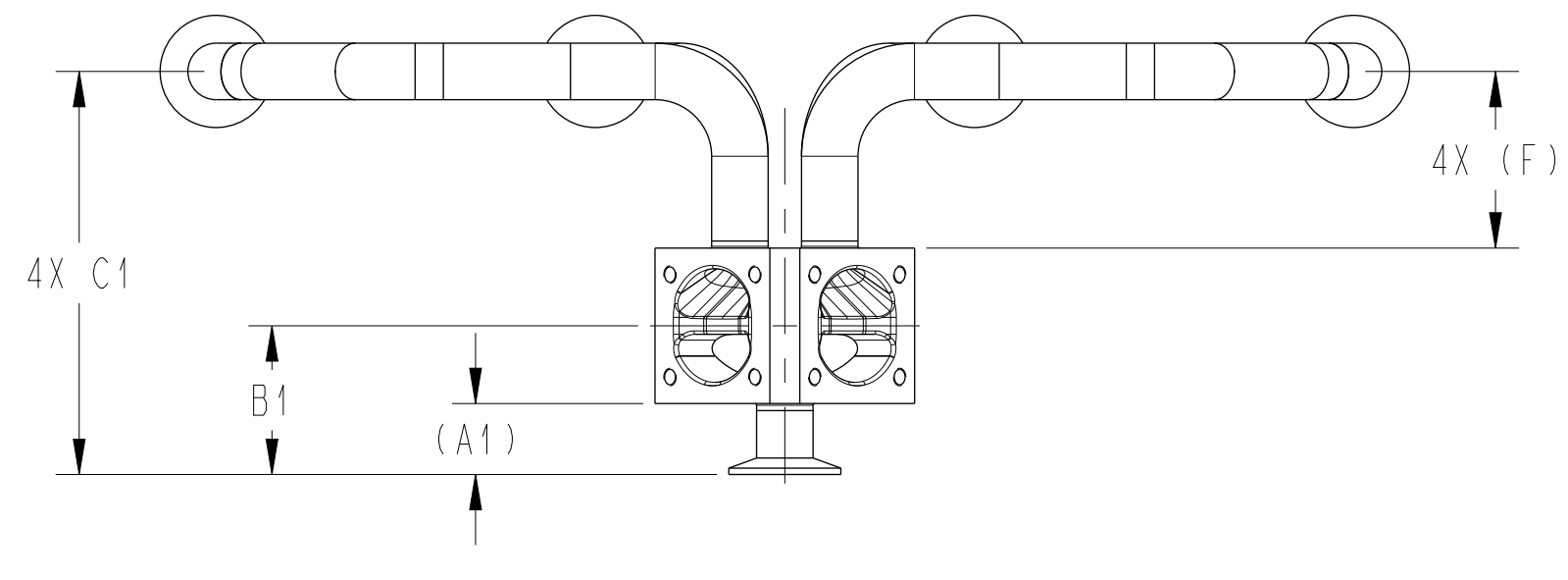


TOP VIEW



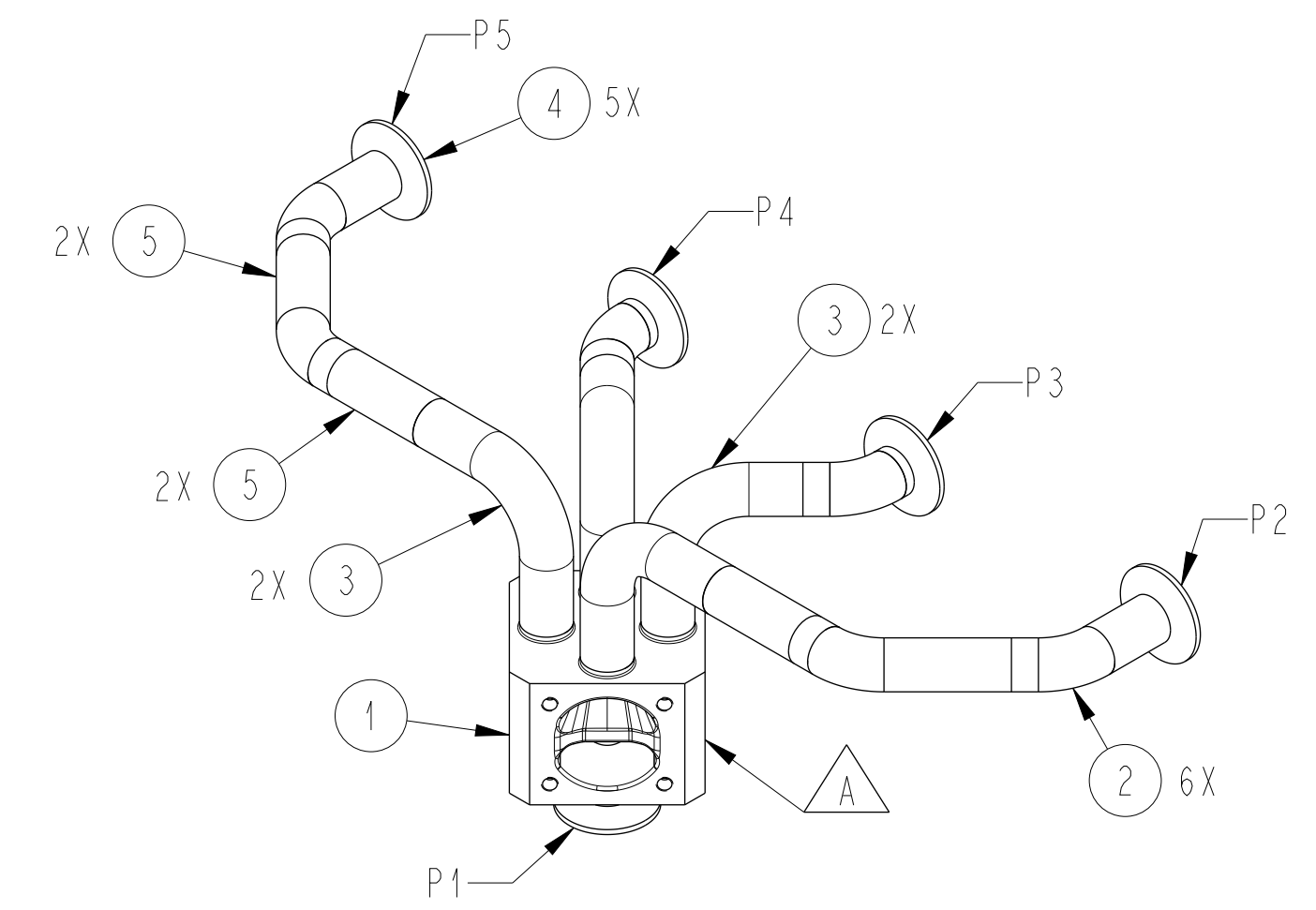
FRONT VIEW

INSTALLATION ORIENTATION [3]



FRONT VIEW

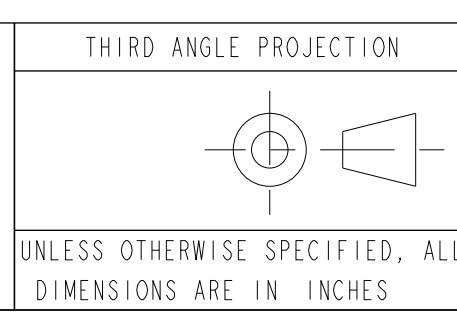
INSTALLATION ORIENTATION [3]



ISOMETRIC VIEW

PURE-FLO ORDER: - ITEM: -
 CUSTOMER: -
 CUSTOMER PO: -
 OTHER INFO: -

THIS DOCUMENT IS THE SOLE PROPERTY OF ITT CORPORATION, OR ITS SUBSIDIARY, AND IS PROVIDED SUBJECT TO RETURN. IT IS ISSUED IN STRICT CONFIDENCE AND SHALL NOT BE REPRODUCED, OR COPIED, OR DISCLOSED IN WHOLE OR IN PART, OR USED AS THE BASIS FOR THE MANUFACTURE OR SALES OF APPARATUS OR PARTS TO WHICH THE DOCUMENT RELATES, WITHOUT THE EXPRESS WRITTEN CONSENT OF ITT CORPORATION, OR ITS SUBSIDIARY. THIS LEGEND SHALL BE MARKED ON ANY REPRODUCTION HEREOF, IN WHOLE OR IN PART. ALL RIGHTS TO THE INFORMATION AND DESIGN DISCLOSED HEREIN ARE RESERVED TO ITT CORPORATION, OR ITS SUBSIDIARY.



UNLESS OTHERWISE NOTED	
INCH	MM
x: ± 0.06	x: ± 1.5
.xx: ± 0.06	.xx: ± 1.5
.xxx: ± 0.02	-
x/xx: ± 1/32	-
x: ± 1/8	x: ± 3

DATE	BY
08/17/23	LFV
08/22/23	KRP
08/22/23	TJS

1/4" TO 3" 4-WAY DIVERT VALVE ASSY, OPTION 3
 TCE & AWE TABULATED

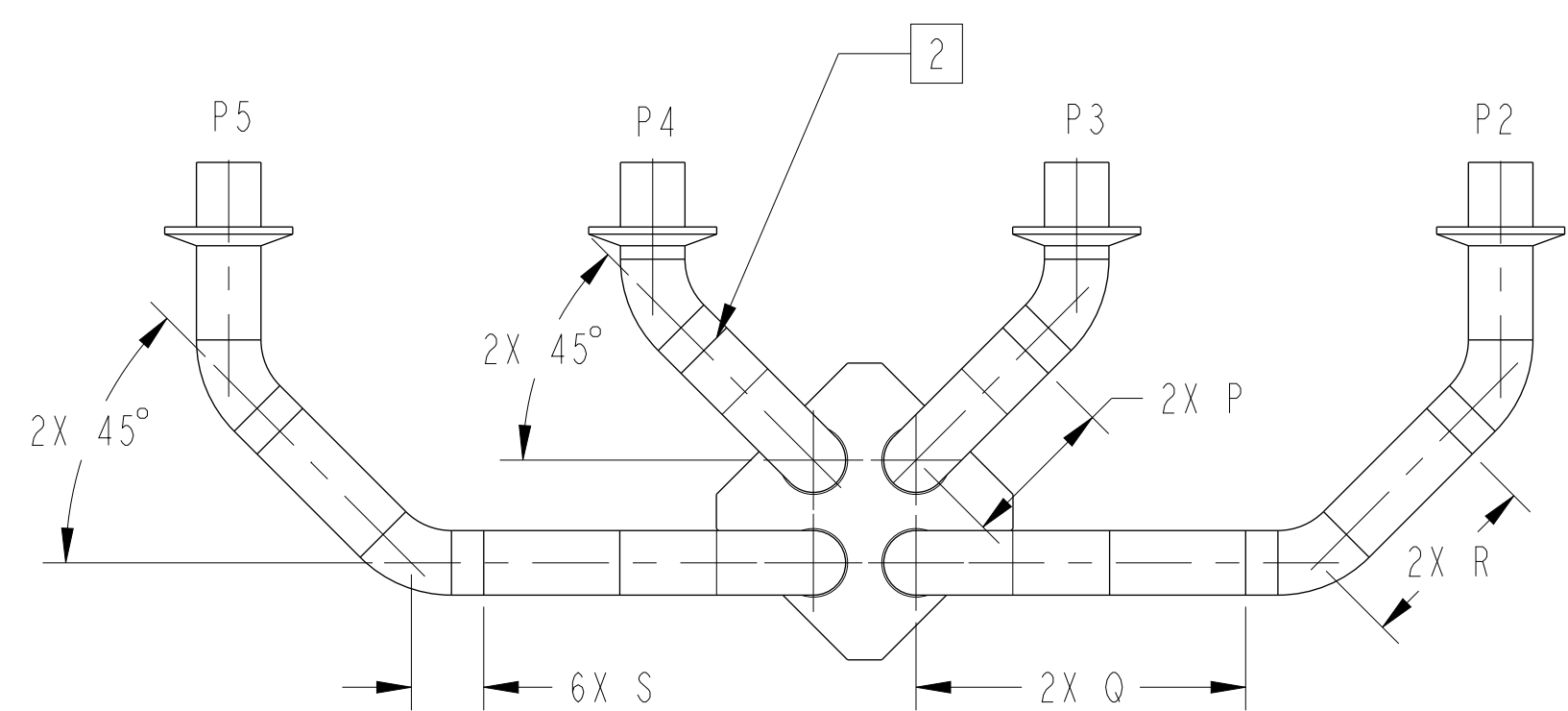
ITT
 www.ittpureflo.com

D	A26774	SHEET 1 OF 2	REV D
MASTER DWG:	A26774/D	ECN# 19213	ISSUE BY: -
CERT BY: -			

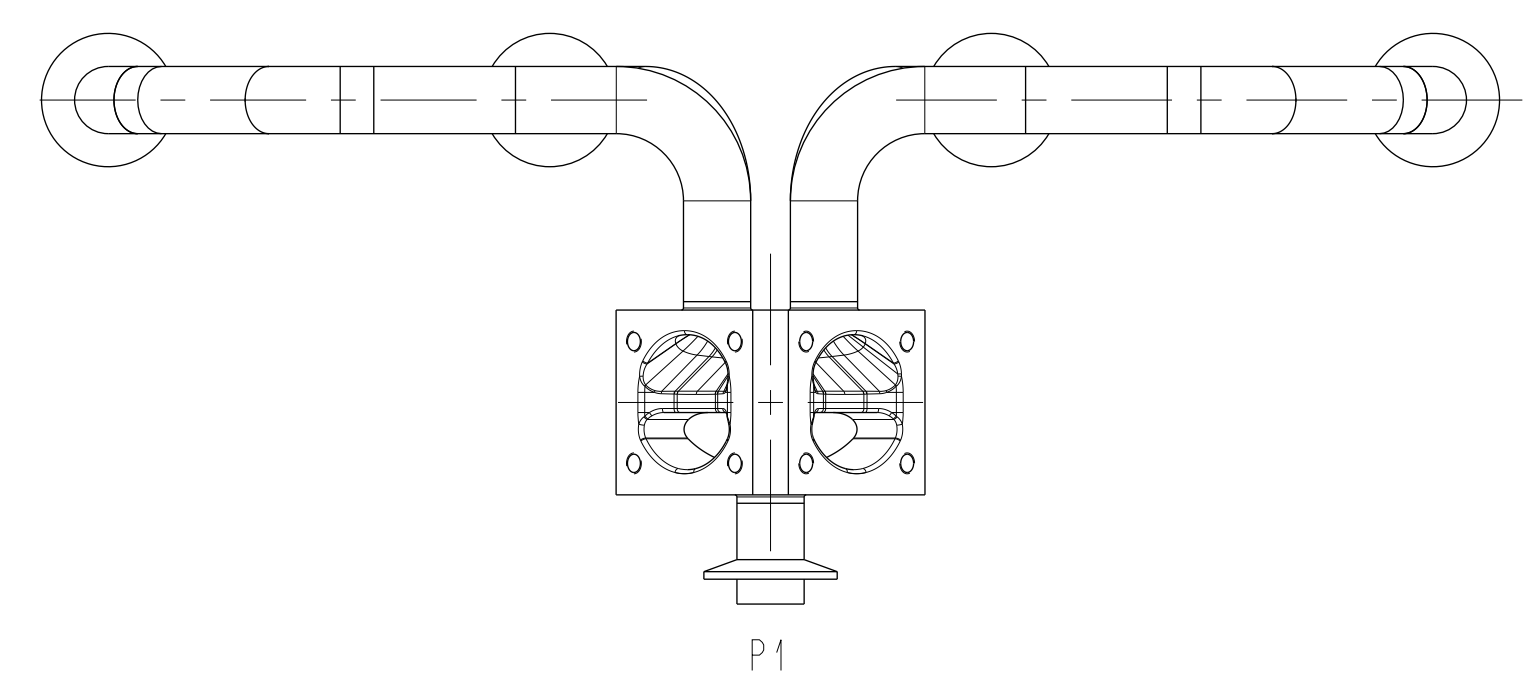
VALVE SIZE	P	Q	R	S
1/4" BP/BT	2.37 [60,3]	4.81 [122,1]	2.03 [51,4]	0.48 [12,3]
3/8" BP/BT	2.37 [60,3]	4.91 [124,6]	2.03 [51,4]	0.72 [18,2]
1/2" BP/BT	2.59 [65,9]	5.21 [132,4]	2.24 [57,0]	0.72 [18,2]
1/2" PF	2.35 [59,6]	5.22 [132,5]	2.58 [65,5]	0.72 [18,2]
3/4"	2.50 [63,5]	5.19 [131,7]	2.67 [67,9]	0.97 [24,5]
1"	2.50 [63,5]	5.25 [133,3]	2.98 [75,7]	1.12 [28,5]
1-1/2"	3.25 [82,5]	6.44 [163,6]	4.67 [118,6]	1.43 [36,4]
2"	4.25 [107,9]	8.48 [215,4]	6.02 [152,9]	1.74 [44,3]
2-1/2"	5.00 [127,0]	9.67 [245,7]	7.65 [194,3]	2.05 [52,2]
3"	5.75 [146,0]	10.86 [275,9]	9.29 [235,8]	2.36 [60,0]

VALVE SIZE	D	(F)	G	H	H1	J	K	L	L1	(M)	(M1)	(N)	(N1)
1/4" BP/BT	15.13 [384,4]	(2.75) [69,9]	2.86 [72,6]	1.73 [44,0]	0.73 [18,6]	5.29 [134,4]	2.51 [63,7]	2.98 [75,8]	1.98 [50,4]	(3.75) [95,4]	(2.75) [70,0]	(4.76) [120,8]	(3.76) [95,4]
3/8" BP/BT	16.12 [409,5]	(2.75) [69,9]	3.09 [78,5]	1.97 [49,9]	0.97 [24,5]	5.62 [142,8]	2.74 [69,6]	3.22 [81,7]	2.22 [56,3]	(4.15) [105,5]	(3.15) [80,1]	(5.15) [130,9]	(4.15) [105,5]
1/2" BP/BT	17.05 [433,0]	(3.13) [79,4]	3.31 [84,0]	1.97 [49,9]	0.97 [24,5]	5.93 [150,6]	2.96 [75,2]	3.22 [81,7]	2.22 [56,3]	(4.31) [109,4]	(3.31) [84,0]	(5.31) [134,8]	(4.31) [109,4]
1/2" PF	17.76 [451,1]	(3.13) [79,4]	3.31 [84,1]	1.97 [49,9]	0.97 [24,5]	5.93 [150,7]	3.29 [83,6]	3.22 [81,7]	2.22 [56,3]	(4.31) [109,4]	(3.31) [84,0]	(5.54) [140,8]	(4.54) [115,4]
3/4"	18.82 [478,0]	(3.13) [79,4]	3.47 [88,0]	1.97 [49,9]	0.97 [24,5]	6.15 [156,2]	3.64 [92,4]	3.22 [81,7]	2.22 [56,3]	(4.42) [112,2]	(3.42) [86,8]	(5.79) [147,0]	(4.79) [121,6]
1"	20.14 [511,5]	(3.13) [79,4]	3.62 [92,0]	2.12 [53,9]	1.12 [28,5]	6.37 [161,8]	4.10 [104,2]	3.37 [85,6]	2.37 [60,2]	(4.68) [118,9]	(3.68) [93,5]	(6.27) [159,3]	(5.27) [133,9]
1-1/2"	26.63 [676,3]	(3.88) [98,4]	4.68 [118,9]	2.43 [61,8]	1.43 [36,4]	7.87 [199,9]	6.10 [155,0]	3.68 [93,5]	2.68 [68,1]	(5.74) [145,9]	(4.74) [120,5]	(8.00) [203,1]	(7.00) [177,7]
2"	34.43 [874,4]	(4.88) [123,8]	5.99 [152,2]	2.99 [76,0]	1.74 [44,3]	10.22 [259,7]	7.76 [197,1]	4.74 [120,5]	3.49 [88,7]	(7.23) [183,6]	(5.98) [151,9]	(10.23) [259,9]	(8.98) [228,1]
2-1/2"	40.80 [1036,2]	(5.63) [142,9]	7.05 [179,2]	3.30 [83,9]	2.05 [52,2]	11.72 [297,8]	9.70 [246,5]	5.05 [128,4]	3.80 [96,6]	(8.29) [210,6]	(7.04) [178,8]	(11.91) [302,6]	(10.66) [270,9]
3"	47.17 [1198,2]	(6.38) [161,9]	8.11 [206,1]	3.61 [91,8]	2.36 [60,0]	13.22 [335,9]	11.65 [295,9]	5.36 [136,2]	4.11 [104,5]	(9.35) [237,5]	(8.10) [205,8]	(13.60) [345,5]	(12.35) [313,7]

VALVE SIZE	T	U	V
1/4" BP/BT		4	
3/8" BP/BT		4	
1/2" BP/BT		3	
1/2" PF		3	
3/4"		3	
1"	3.00 [76,2]	5.75 [146,0]	3.48 [88,4]
1-1/2"	3.75 [95,2]	6.94 [176,3]	5.17 [131,3]
2"	4.75 [120,6]	8.98 [228,1]	6.52 [165,6]
2-1/2"	5.50 [139,7]	10.17 [258,4]	8.15 [207,0]
3"	6.25 [158,7]	11.36 [288,6]	9.79 [248,5]



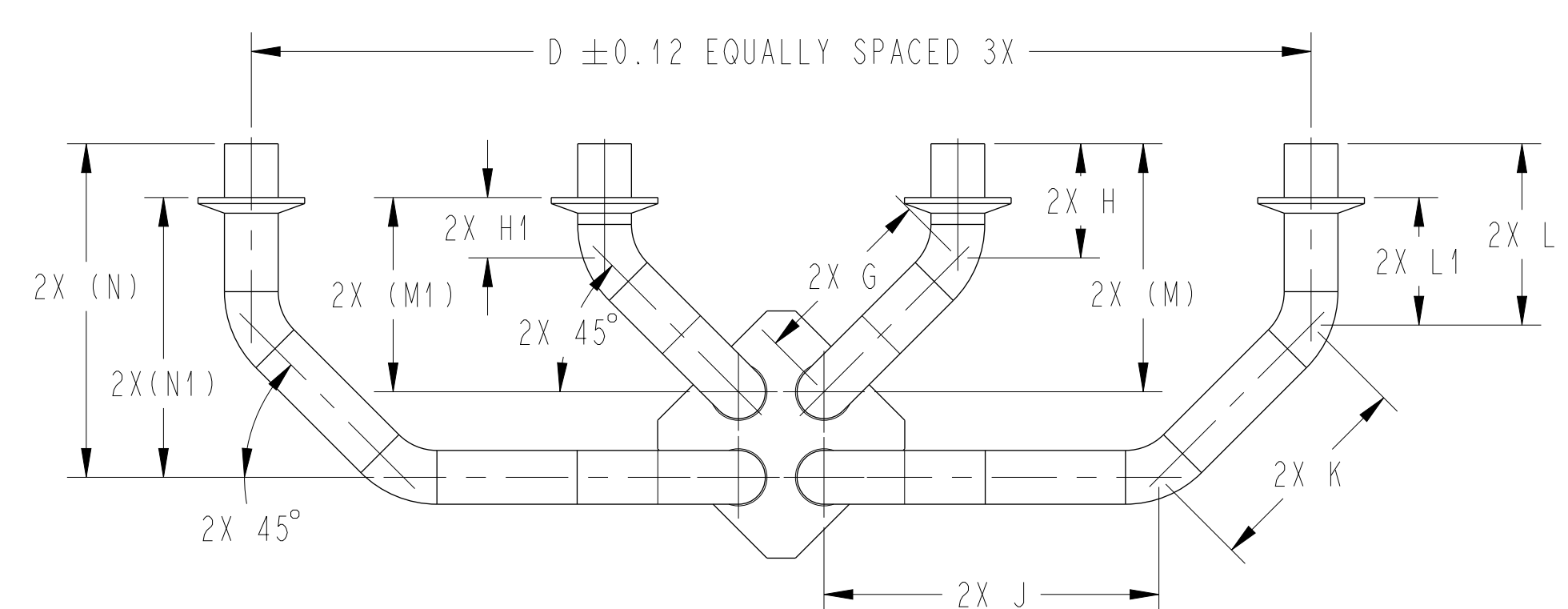
TOP VIEW



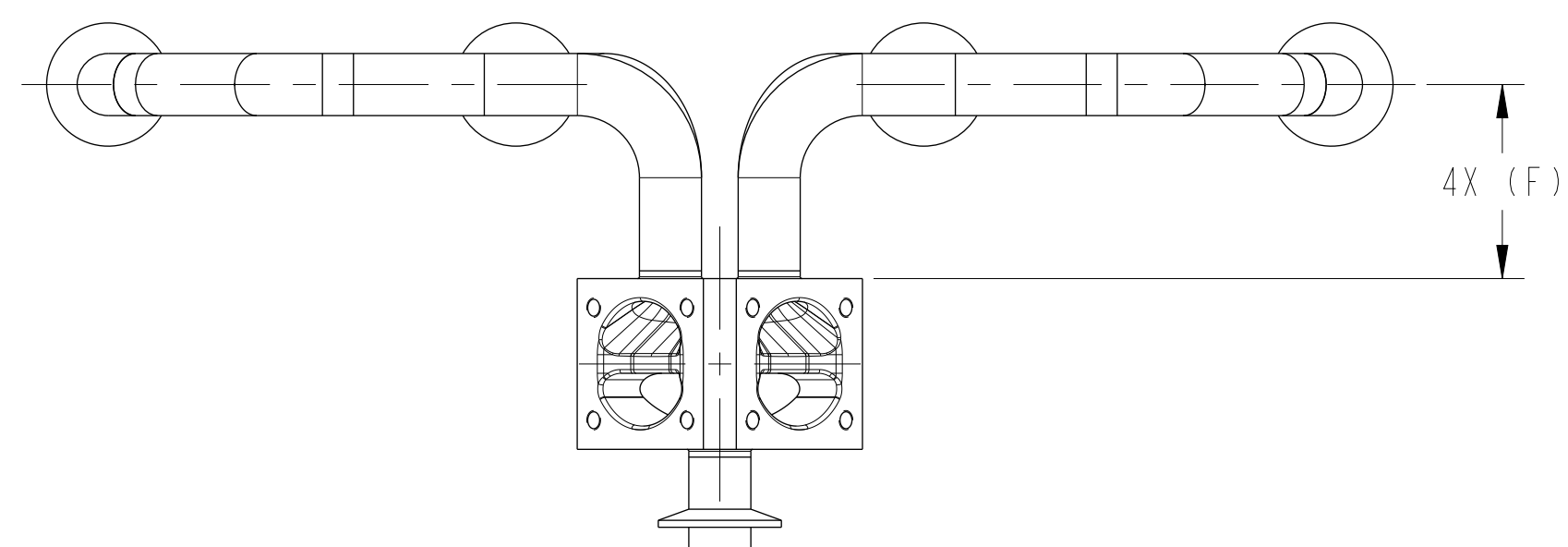
FRONT VIEW
CONSTRUCTION REFERENCE C1

WELDS ARE IN THE AS WELDED CONDITION

FABRICATION DETAIL FOR USE WHEN WELDS ARE TO BE LEFT IN THE AS WELDED CONDITION



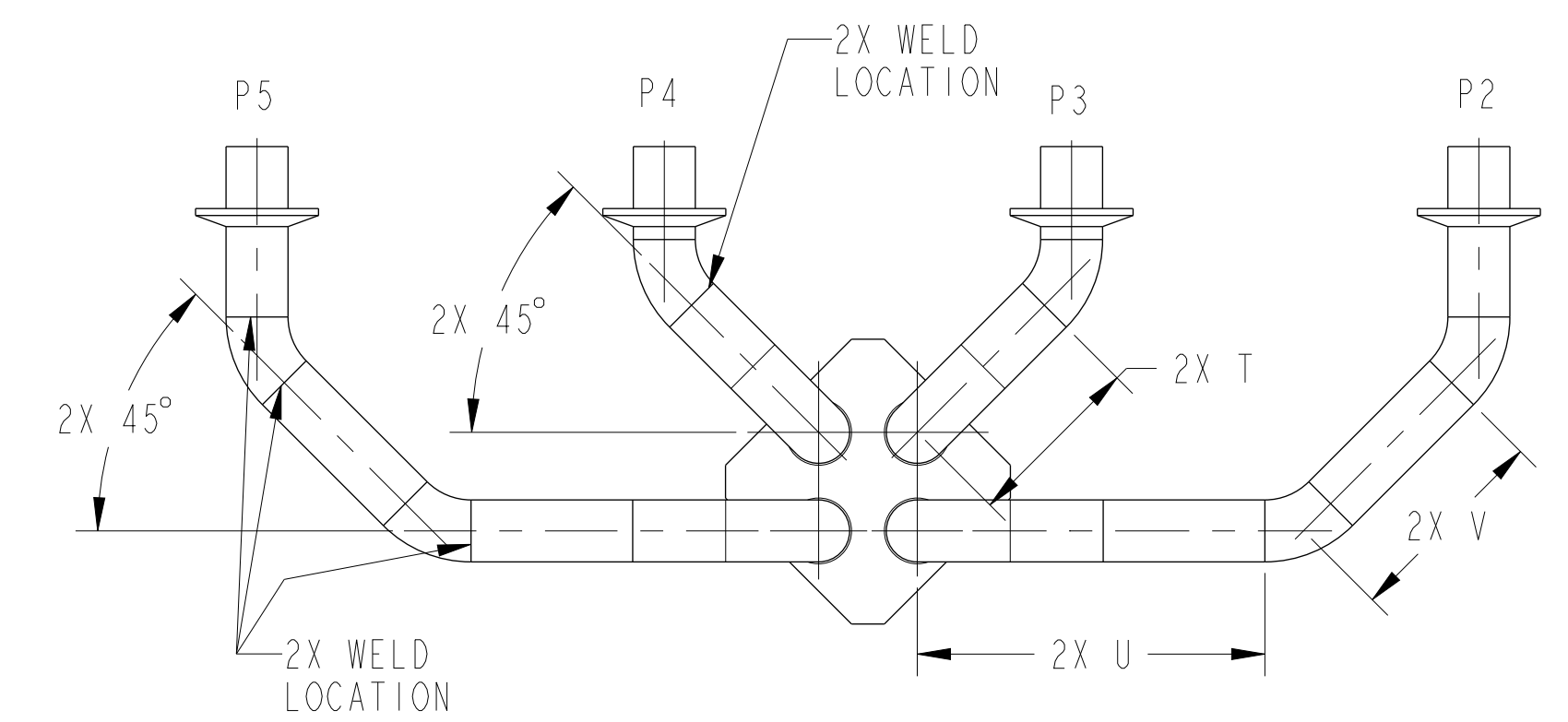
TOP VIEW



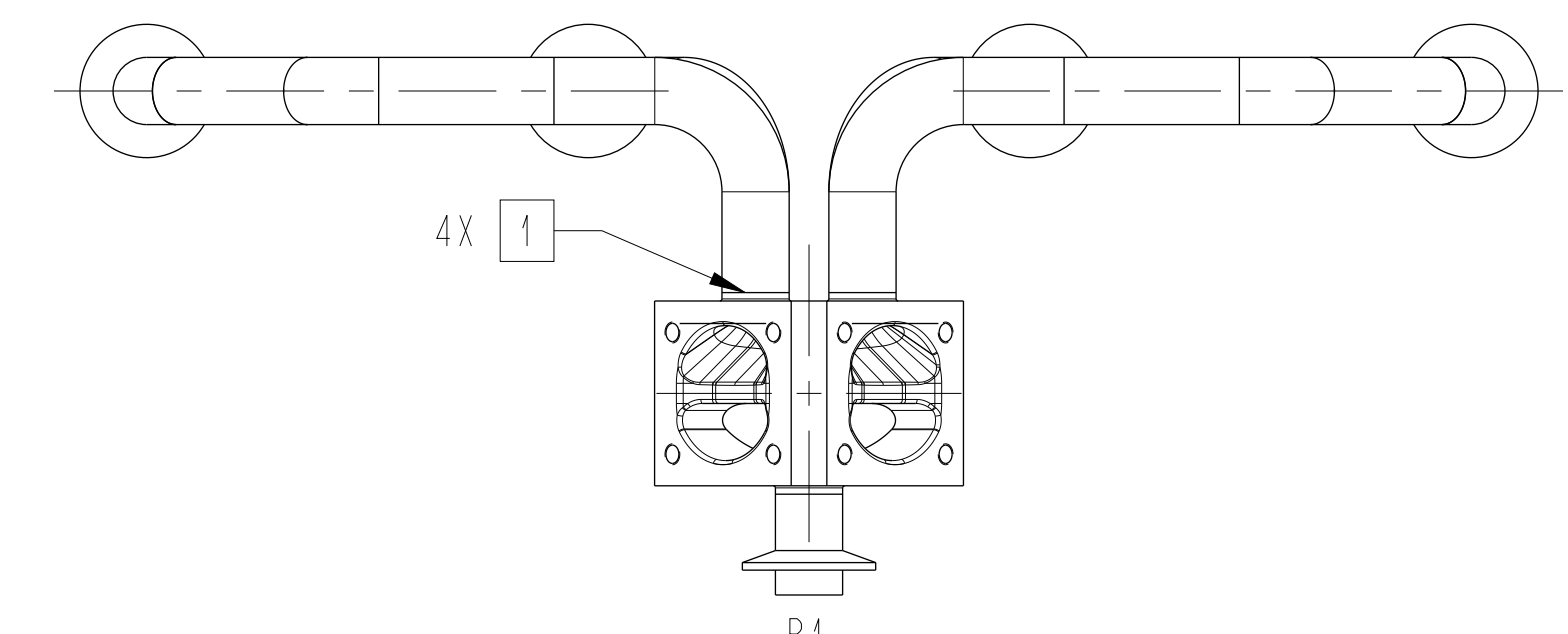
FRONT VIEW
GENERAL DIMENSIONS
ELBOW DETAIL

NOTES:

- FOR TUBE SIZE 1/4" - 3/4" WELD WILL BE IN AS WELDED CONDITION.
- ALL ELBOW WELD WILL BE IN AS WELDED CONDITION, EXCEPT WHERE CONNECTED TO FERRULE.
- THE "ACCESSIBLE INTERIOR WELD BEADS REMOVED" (BR) SELECTION IS NOT AVAILABLE FOR TUBE SIZES 1/2" AND 3/4".
- FOR 1/4" & 3/8" TUBE SIZE REFER TO GENERAL DIMENSIONS FOR BENT TUBE SEE DRAWING 121708.



TOP VIEW



FRONT VIEW
CONSTRUCTION REFERENCE C2

REMOVED WELDS TO BE USED WHEN "ACCESSIBLE INTERIOR WELD BEADS REMOVED" (BR) SELECTION IS MADE

PURE-FLO ORDER: _____ ITEM: _____
 CUSTOMER: _____
 CUSTOMER PO: _____
 OTHER INFO: _____

THIS DOCUMENT IS THE SOLE PROPERTY OF ITT CORPORATION, OR ITS SUBSIDIARY, AND IS PROVIDED SUBJECT TO RETURN. IT IS ISSUED IN STRICT CONFIDENCE AND SHALL NOT BE REPRODUCED, OR COPIED, OR DISCLOSED IN WHOLE OR IN PART, OR USED AS THE BASIS FOR THE MANUFACTURE OR SALES OF APPARATUS OR PARTS TO WHICH THE DOCUMENT RELATES, WITHOUT THE EXPRESS WRITTEN CONSENT OF ITT CORPORATION, OR ITS SUBSIDIARY. THIS LEGEND SHALL BE MARKED ON ANY REPRODUCTION HEREOF, IN WHOLE OR IN PART. ALL RIGHTS TO THE INFORMATION AND DESIGN DISCLOSED HEREIN ARE RESERVED TO ITT CORPORATION, OR ITS SUBSIDIARY.

THIRD ANGLE PROJECTION	UNLESS OTHERWISE NOTED
	INCH
	MM
	X: ± 0.06
	.XX: ± 0.06
	.XXX: ± 0.02
	X/XX: ± 1/16
	X": ± 1"
	X: ± 1.5
	.XX: ± .5
	X": ± 1"

DATE	BY	1/4" TO 3" 4-WAY DIVERT VALVE ASSY. OPTION-3 TCE, AWE, TABULATED
08/17/23	LFV	
08/22/23	KRP	
08/22/23	TJS	

ITT
www.ittpureflo.com

D A26774

SHEET 2 OF 2
REV D

MASTER DWG: A26774/D ECN# 19213

ISSUE BY: _____ CERT BY: _____