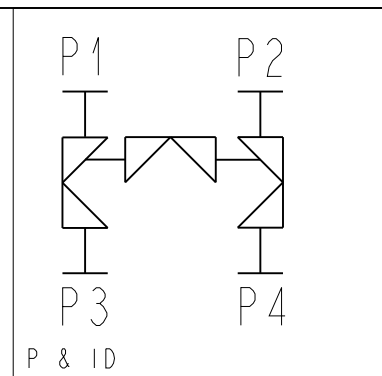

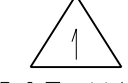




| WEIR | A1 | A2 | B1 | B2 | C1 | C2 | D | E |
|----------|-------------------|-------------------|--------------------|--------------------|------------------|-------------------|------------------|------------------|
| 0.50 EZ | (2.71) [68,9] | (4.48) [113,8] | (5.70) [144,7] | (7.46) [189,6] | (1.55) [39,3] | (2.43) [61,8] | (0.28) [7,1] | (0.53) [13,5] |
| 0.75R EZ | (2.89) [73,4] | (4.66) [118,3] | (6.20) [157,4] | (7.96) [202,3] | (1.80) [45,7] | (2.68) [68,1] | (0.40) [10,3] | (0.41) [10,3] |
| 0.75 EZ | (3.07) [78,0] | (4.84) [122,9] | (7.60) [192,9] | (9.36) [237,8] | (1.80) [45,7] | (2.68) [68,1] | (0.42) [10,7] | (0.82) [20,9] |
| 1.00 EZ | (3.42) [87,0] | (5.02) [127,4] | (8.08) [205,3] | (9.67) [245,7] | (2.04) [51,9] | (2.84) [72,1] | (0.55) [13,8] | (0.70) [17,7] |
| 1.50 EZ | (4.56) [115,9] | (6.06) [154,0] | (10.53) [267,4] | (12.03) [305,6] | (2.57) [65,4] | (3.32) [84,5] | (0.82) [20,7] | (0.82) [20,8] |
| 2.00 EZ | (5.62) [142,8] | (7.39) [187,7] | (12.10) [307,4] | (13.87) [352,3] | (3.11) [78,9] | (3.99) [101,3] | (1.08) [27,4] | (1.11) [28,3] |

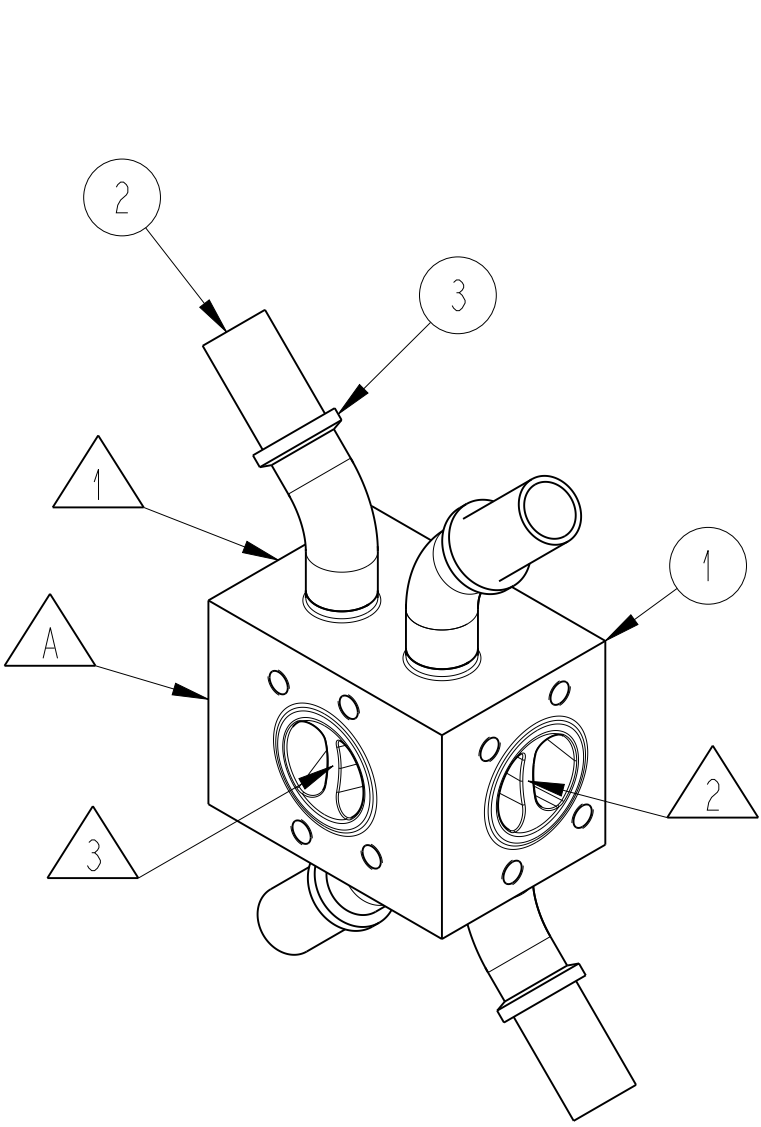


| VALVE. NO |
|---|
|  VALVE ASSY |
|  FIRST VALVE |
|  SECOND VALVE |
|  THIRD VALVE |

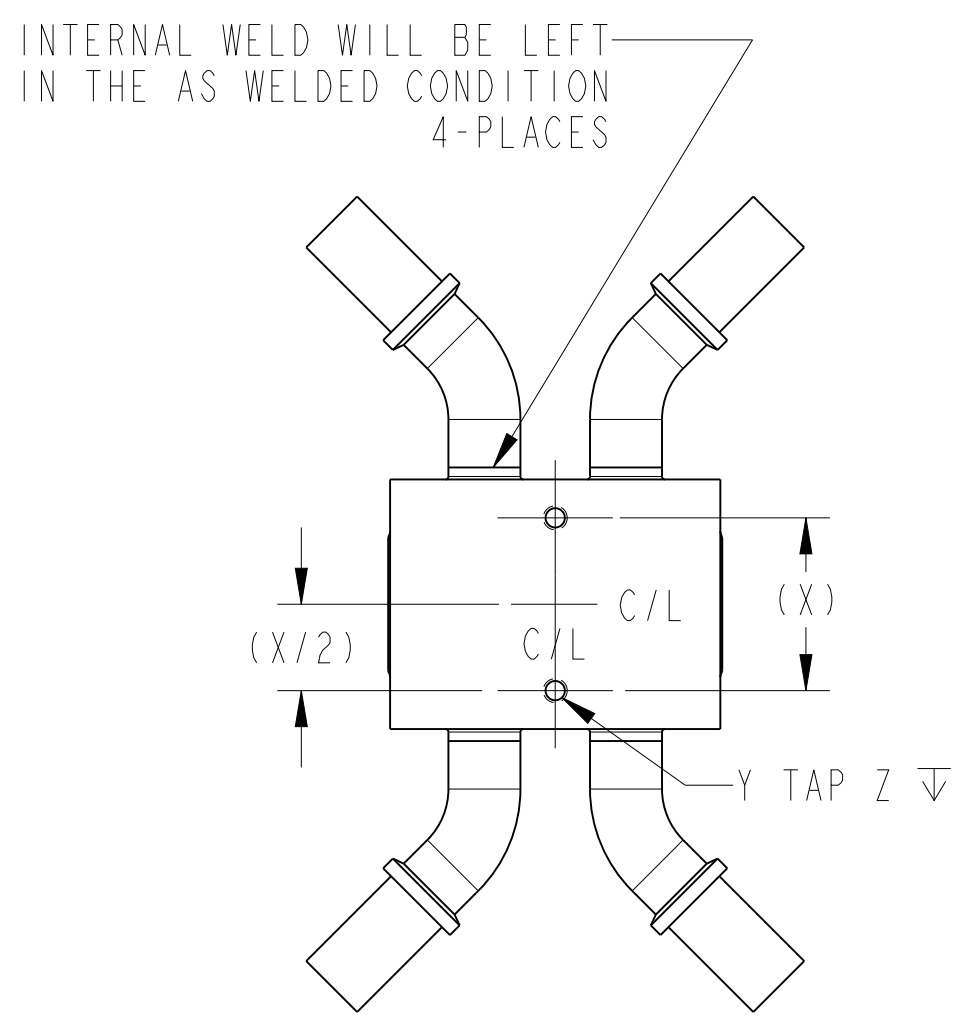
| LIST OF MAJOR COMPONENTS | |
|--------------------------|------------------------------------|
| ITEM | DESCRIPTION |
| 1 | CROSSOVER ENVIZION BODY, (K27204A) |
| 2 | ELBOW 45 DEG WB X FT, (123288) |
| 3 | ELBOW 45 DEG WB X TC, (123289) |

| OPTIONAL MOUNTING HOLES | | | |
|-------------------------|------------------|----------------|------------------|
| WEIR | X | Y | Z |
| 0.50 EZ | (1.80) [45,7] | 1/4-20 UNC-2B | 0.500 [12,70] |
| 0.75R EZ | | | |
| 0.75 EZ | (2.50) [63,5] | 3/16-18 UNC-2B | 0.625 [15,88] |
| 1.00 EZ | | | |
| 1.50 EZ | (3.50) [88,9] | 3/8-16 UNC-2B | 0.750 [19,05] |
| 2.00 EZ | (3.75) [95,3] | | |

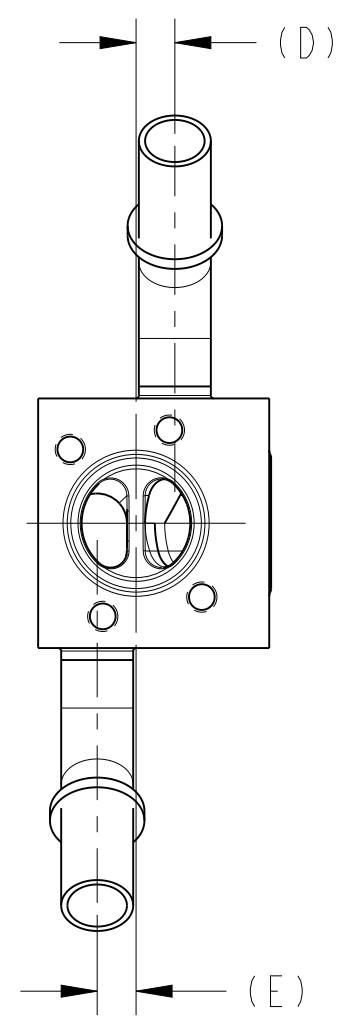
NOTE:
1. VALVE TO BE MOUNTED ON A VERTICAL POSITION AS SHOWN IN FRONT VIEW.
2. "P" TAGS INDICATE PORT CONNECTION.
3. TUBE ENDS MEET OR EXCEEDS THE FOLLOWING TANGENT LENGTHS.
1/2" - 1-1/2" = 1-1/2", 2" = 1-3/4"



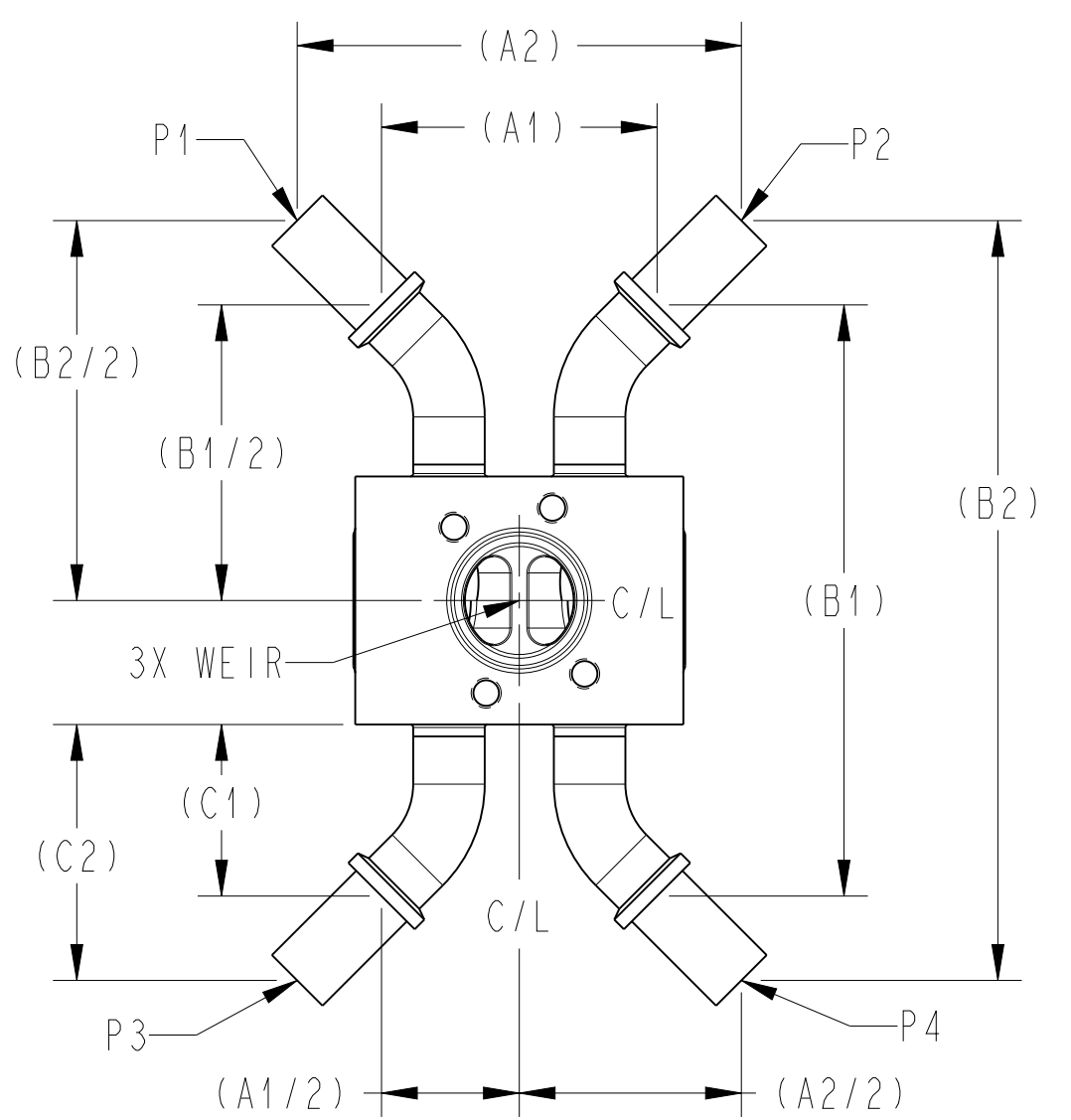
ISOMETRIC VIEW



BACK VIEW

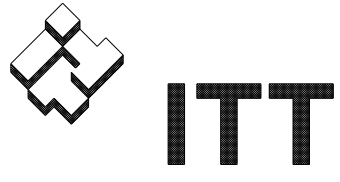
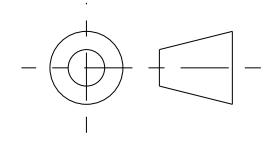


ISOMETRIC VIEW



FRONT VIEW
INSTALLATION ORIENTATION

THIS DOCUMENT IS THE SOLE PROPERTY OF ITT CORPORATION, OR ITS SUBSIDIARY, AND IS PROVIDED SUBJECT TO RETURN. IT IS ISSUED IN STRICT CONFIDENCE AND SHALL NOT BE REPRODUCED, OR COPIED, OR DISCLOSED IN WHOLE OR IN PART, OR USED AS THE BASIS FOR THE MANUFACTURE OR SALES OF APPARATUS OR PARTS TO WHICH THE DOCUMENT RELATES, WITHOUT THE EXPRESS WRITTEN CONSENT OF ITT CORPORATION, OR ITS SUBSIDIARY. THIS LEGEND SHALL BE MARKED ON ANY REPRODUCTION HEREOF, IN WHOLE OR IN PART. ALL RIGHTS TO THE INFORMATION AND DESIGN DISCLOSED HEREIN ARE RESERVED TO ITT CORPORATION, OR ITS SUBSIDIARY.

| | | | | | | | |
|-------------------|---------|--|--|---------------|-----|--------------------------|---|
| PURE-FLO ORDER: - | ITEM: - | THIRD ANGLE PROJECTION | UNLESS OTHERWISE NOTED | DATE | BY | CROSSOVER ENVIZION |  Pure-Flo www.ittpureflo.com |
| CUSTOMER: - | |  | INCH MM | DWN 07/07/21 | LFV | VERTICAL FULLY DRAINABLE | |
| CUSTOMER PO: - | | | X = ± 0.06 .X = ± 0.06 .XX = ± 0.06 .XXX = ± 0.02 X/X = ± 1/16 X° = ± 5° X° = ± 1° | CHKD 07/07/21 | KRP | BODY ASSEMBLY | C A27363A SHEET 1 OF 1 REV - |
| OTHER INFO: - | | UNLESS OTHERWISE SPECIFIED, ALL DIMENSIONS ARE IN INCHES/LMM | | APVD 07/07/21 | TJS | MASTER DWG: A27363A/- | |
| | | | | | | ECN# 18414 | ISSUED BY: - CERT BY: - |