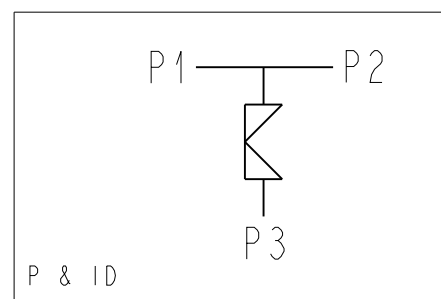
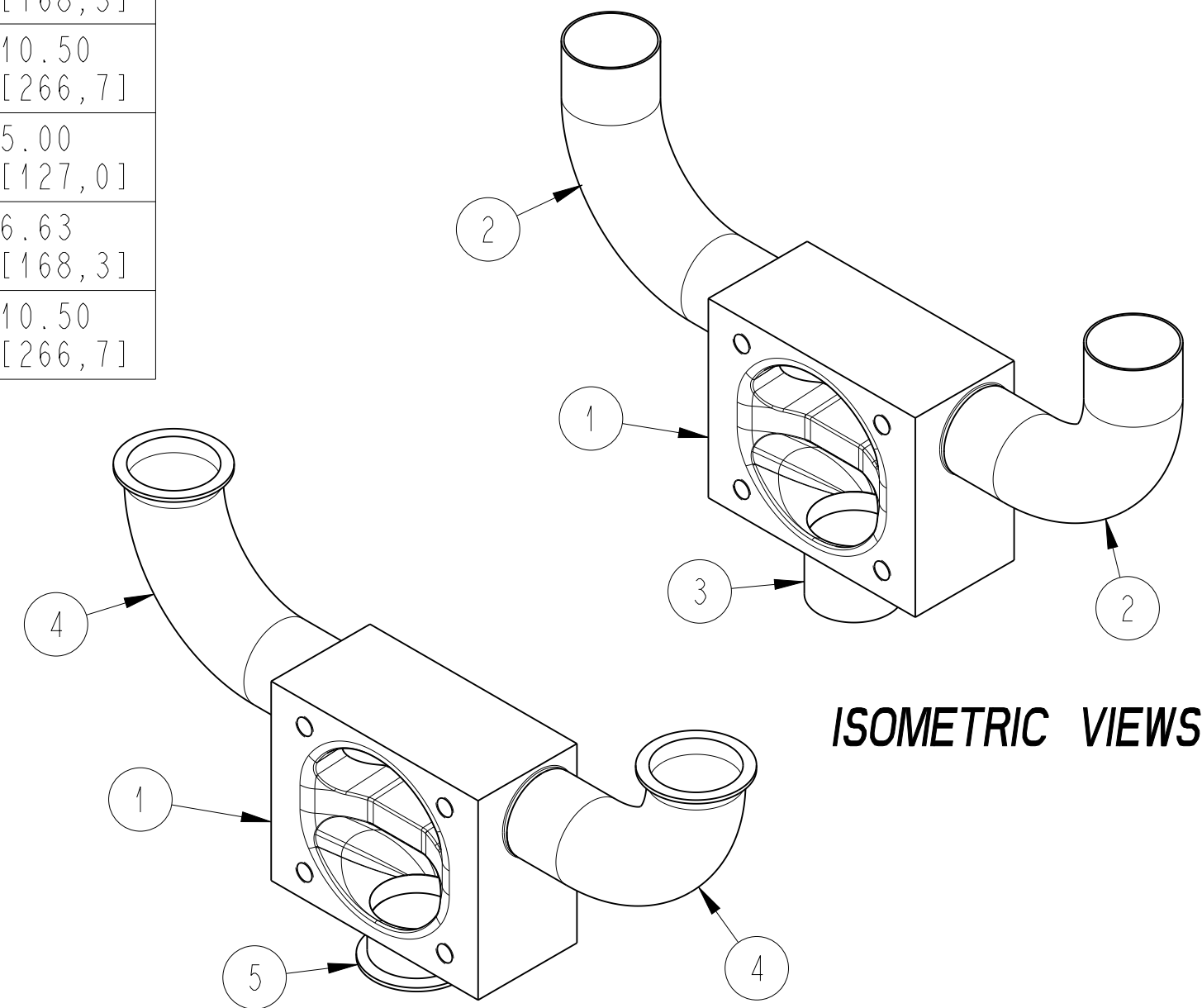


VALVE X RUN	A	A1	B	B1	C	D	E	E1	F	G	G1
2-1/2" X 2-1/2"	18.63 [473,2]	18.63 [473,2]	6.61 [168,0]	5.99 [152,2]	1.64 [41,8]	0.65 [16,5]	1.88 [47,6]	1.26 [31,9]	5.63 [142,9]	5.50 [139,7]	4.25 [108,0]
2-1/2" X 3"	20.13 [511,3]	20.13 [511,3]	6.89 [174,9]	6.27 [159,2]	1.92 [48,7]	1.00 [25,4]	1.88 [47,6]	1.26 [31,9]	6.38 [161,9]	6.25 [158,8]	5.00 [127,0]
2-1/2" X 4"	23.63 [600,2]	23.63 [600,2]	7.40 [188,0]	6.78 [172,2]	2.43 [61,8]	1.53 [38,9]	1.88 [47,6]	1.26 [31,9]	8.13 [206,4]	8.00 [203,2]	6.63 [168,3]
2-1/2" X 6"	30.88 [784,4]	30.88 [784,4]	8.42 [213,9]	7.80 [198,1]	3.45 [87,7]	2.25 [57,2]	1.88 [47,6]	1.26 [31,9]	11.75 [298,5]	11.50 [292,1]	10.50 [266,7]
3" X 3"	20.13 [511,3]	20.13 [511,3]	6.89 [174,9]	6.27 [159,2]	1.92 [48,7]	0.75 [19,1]	1.88 [47,6]	1.26 [31,9]	6.38 [161,9]	6.25 [158,8]	5.00 [127,0]
3" X 4"	23.63 [600,2]	23.63 [600,2]	7.40 [188,0]	6.78 [172,2]	2.43 [61,8]	1.28 [32,5]	1.88 [47,6]	1.26 [31,9]	8.13 [206,4]	8.00 [203,2]	6.63 [168,3]
3" X 6"	30.88 [784,4]	30.88 [784,4]	8.42 [213,9]	7.80 [198,1]	3.45 [87,7]	2.00 [50,8]	1.88 [47,6]	1.26 [31,9]	11.75 [298,5]	11.50 [292,1]	10.50 [266,7]

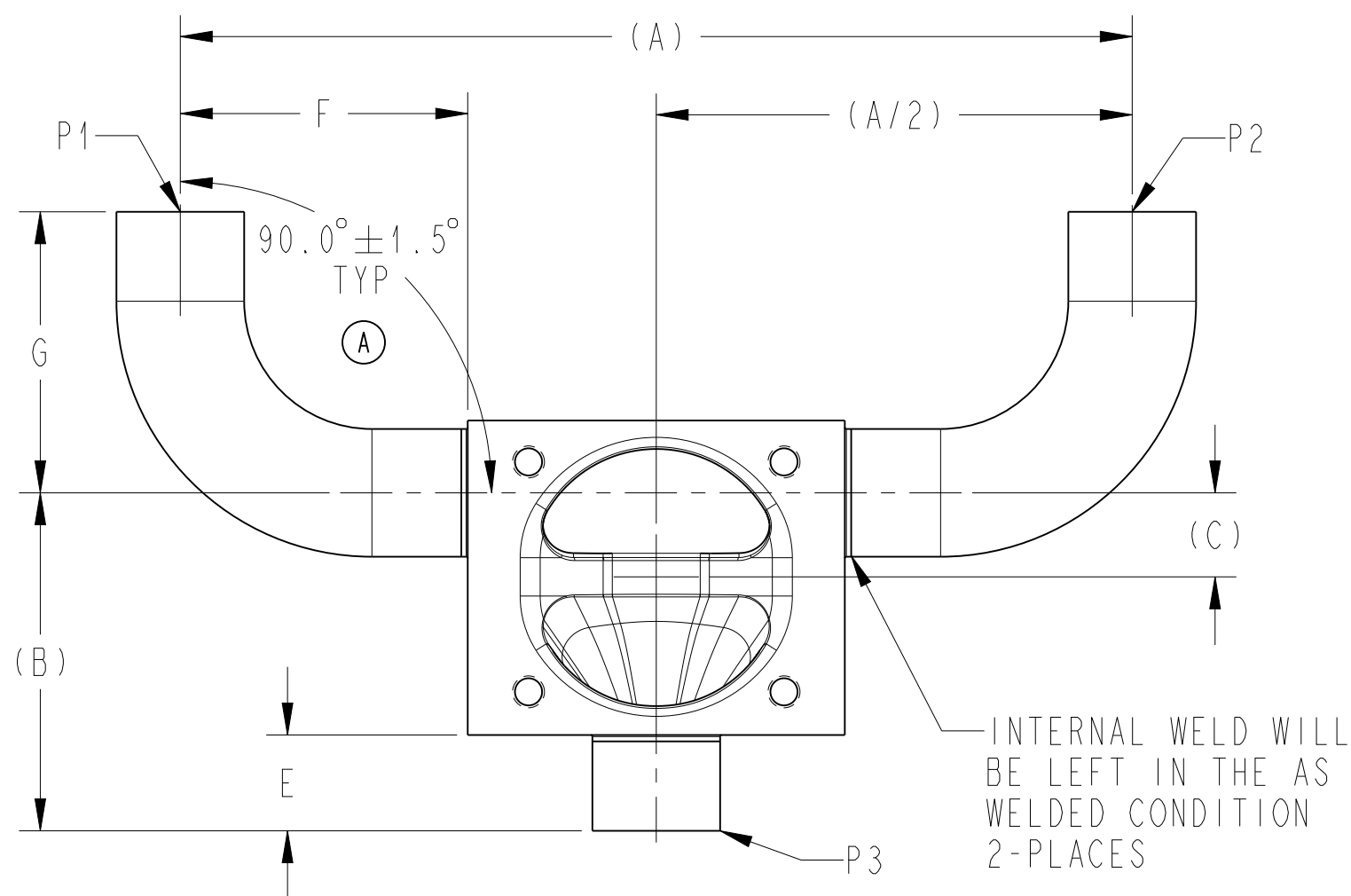
LIST OF MAJOR COMPONENTS	
ITEM	DESCRIPTION
1	BODY-ZTB, (122121)
2	ELBOW 90 DEG BPE
3	TUBE
4	ELBOW 90 DEG BPE W/ TC
5	FERRULE TRI-CLAMP BW



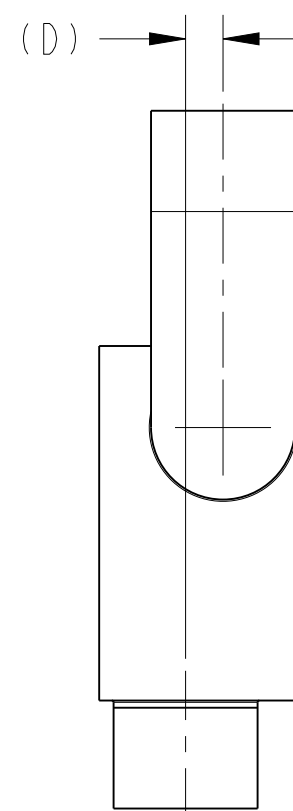
(B) (B)



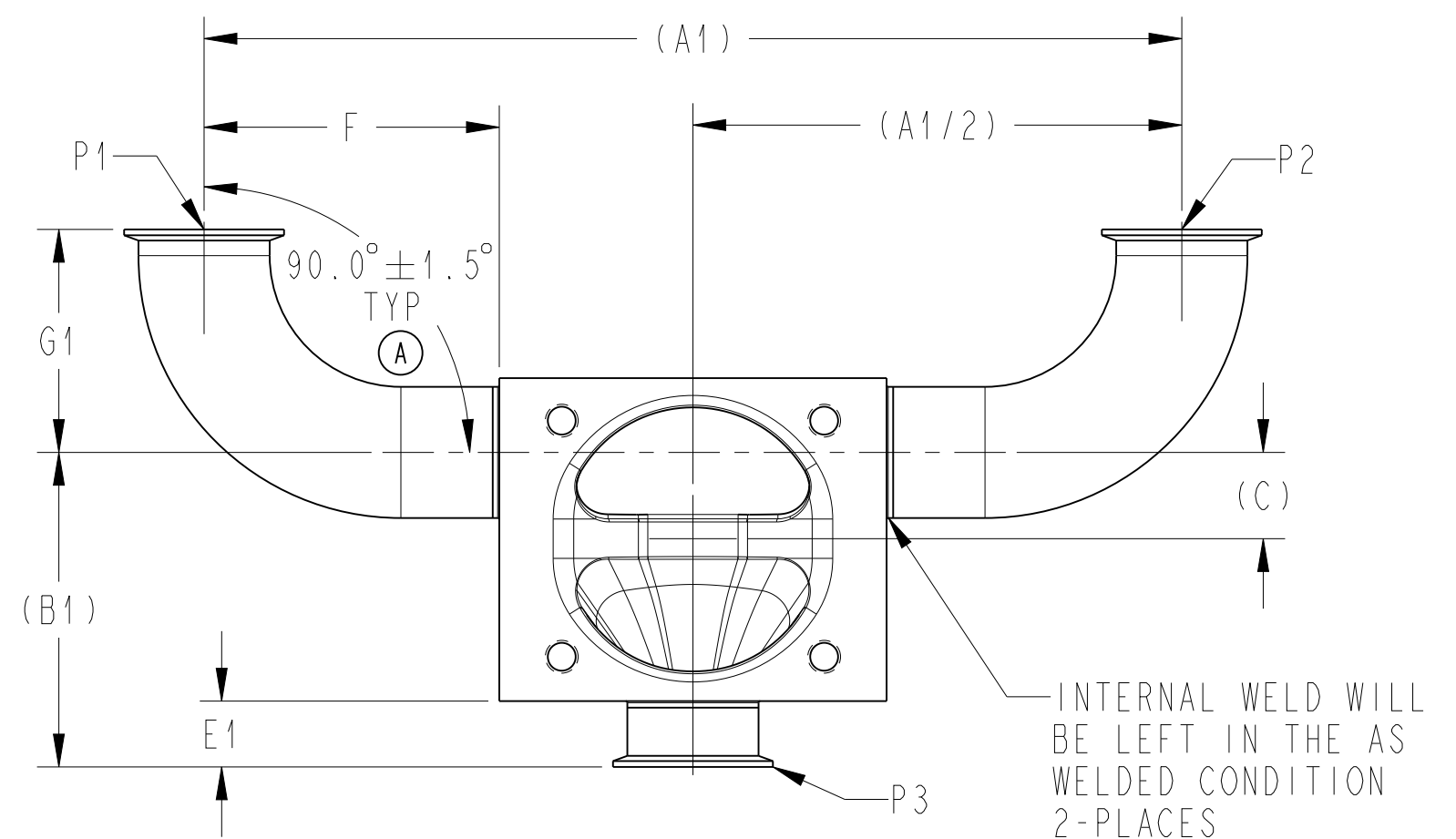
ISOMETRIC VIEWS



FRONT VIEW



SIDE VIEW



FRONT VIEW

THIS DOCUMENT IS THE SOLE PROPERTY OF ITT CORPORATION, OR ITS SUBSIDIARY, AND IS PROVIDED SUBJECT TO RETURN. IT IS ISSUED IN STRICT CONFIDENCE AND SHALL NOT BE REPRODUCED, OR COPIED, OR DISCLOSED IN WHOLE OR IN PART, OR USED AS THE BASIS FOR THE MANUFACTURE OR SALES OF APPARATUS OR PARTS TO WHICH THE DOCUMENT RELATES, WITHOUT THE EXPRESS WRITTEN CONSENT OF ITT CORPORATION, OR ITS SUBSIDIARY. THIS LEGEND SHALL BE MARKED ON ANY REPRODUCTION HEREOF, IN WHOLE OR IN PART. ALL RIGHTS TO THE INFORMATION AND DESIGN DISCLOSED HEREIN ARE RESERVED TO ITT CORPORATION, OR ITS SUBSIDIARY.

PURE-FLO ORDER: -	ITEM: -	THIRD ANGLE PROJECTION	UNLESS OTHERWISE NOTED	DATE	BY	ZERO STATIC U-BEND ASSY.		ITT Pure-Flo www.ittpureflo.com
CUSTOMER: -			INCH MM	DWN 06/10/13	MMA	2.50 - 3.00		
CUSTOMER PO: -			X = ± 0.06 .X = ± 0.06 .XX = ± 0.06 .XXX = ± 0.02 X/X = ± 1/16 X° = ± 1°	X = ± 1.5 .X = ± 1.5 .XX = ± 1.5 X° = ± 5°	CHKD 06/11/13	SNJ		C A27996 SHEET 1 OF 1 REV B
OTHER INFO: -		UNLESS OTHERWISE SPECIFIED, ALL DIMENSIONS ARE IN INCHES/(MM)		APVD 06/11/13	SNJ	MASTER DWG: A27996/B	ECN# 14385	