

MAIN X PURGE	(A1)	(A2)	(B1)	(B2)
1/2" X 1/2"	(6.45) [163,8]	(6.95) [176,5]	(3.92) [99,6]	(4.42) [112,3]
3/4"R X 1/2"	(6.60) [167,7]	(7.05) [179,1]	(4.08) [103,6]	(4.53) [115,0]
3/4"R X 3/4"R	(6.60) [167,7]	(7.05) [179,1]	(4.08) [103,6]	(4.53) [115,0]
3/4" X 1/2"	(8.06) [204,7]	(7.06) [179,4]	(5.14) [130,6]	(4.54) [115,2]
3/4" X 3/4"R	(8.06) [204,7]	(7.15) [181,7]	(5.14) [130,6]	(4.63) [117,5]
3/4" X 3/4"	(8.06) [204,7]	(8.62) [219,0]	(5.14) [130,6]	(5.70) [144,9]
1" X 1/2"	(8.22) [208,7]	(7.15) [181,7]	(5.30) [134,6]	(4.63) [117,5]
1" X 3/4"R	(8.22) [208,7]	(7.16) [181,8]	(5.30) [134,6]	(4.63) [117,6]
1" X 3/4"	(8.22) [208,7]	(8.75) [222,2]	(5.30) [134,6]	(5.83) [148,1]
1" X 1"	(8.22) [208,7]	(8.75) [222,2]	(5.30) [134,6]	(5.83) [148,1]
1-1/2" X 1/2"	(12.10) [307,3]	(7.32) [186,0]	(7.11) [180,6]	(4.80) [121,8]
1-1/2" X 3/4"R	(12.10) [307,3]	(7.42) [188,5]	(7.11) [180,6]	(4.90) [124,4]
1-1/2" X 3/4"	(12.10) [307,3]	(8.94) [227,0]	(7.11) [180,6]	(6.02) [152,9]
1-1/2" X 1"	(12.10) [307,3]	(8.94) [227,0]	(7.11) [180,6]	(6.02) [152,9]
1-1/2" X 1-1/2"	(12.10) [307,3]	(12.62) [320,5]	(7.11) [180,6]	(7.63) [193,8]
2" X 1/2"	(12.78) [324,6]	(7.47) [189,8]	(7.79) [197,9]	(4.95) [125,6]
2" X 3/4" R	(12.78) [324,6]	(7.62) [193,6]	(7.79) [197,9]	(5.10) [129,5]
2" X 3/4"	(12.78) [324,6]	(9.28) [235,7]	(7.79) [197,9]	(6.36) [161,5]
2" X 1"	(12.78) [324,6]	(9.28) [235,7]	(7.79) [197,9]	(6.36) [161,5]
2" X 1-1/2"	(12.78) [324,6]	(12.82) [325,6]	(7.79) [197,9]	(7.83) [198,9]
2" X 2"	(12.78) [324,6]	(13.25) [336,6]	(7.79) [197,9]	(8.26) [209,9]

©

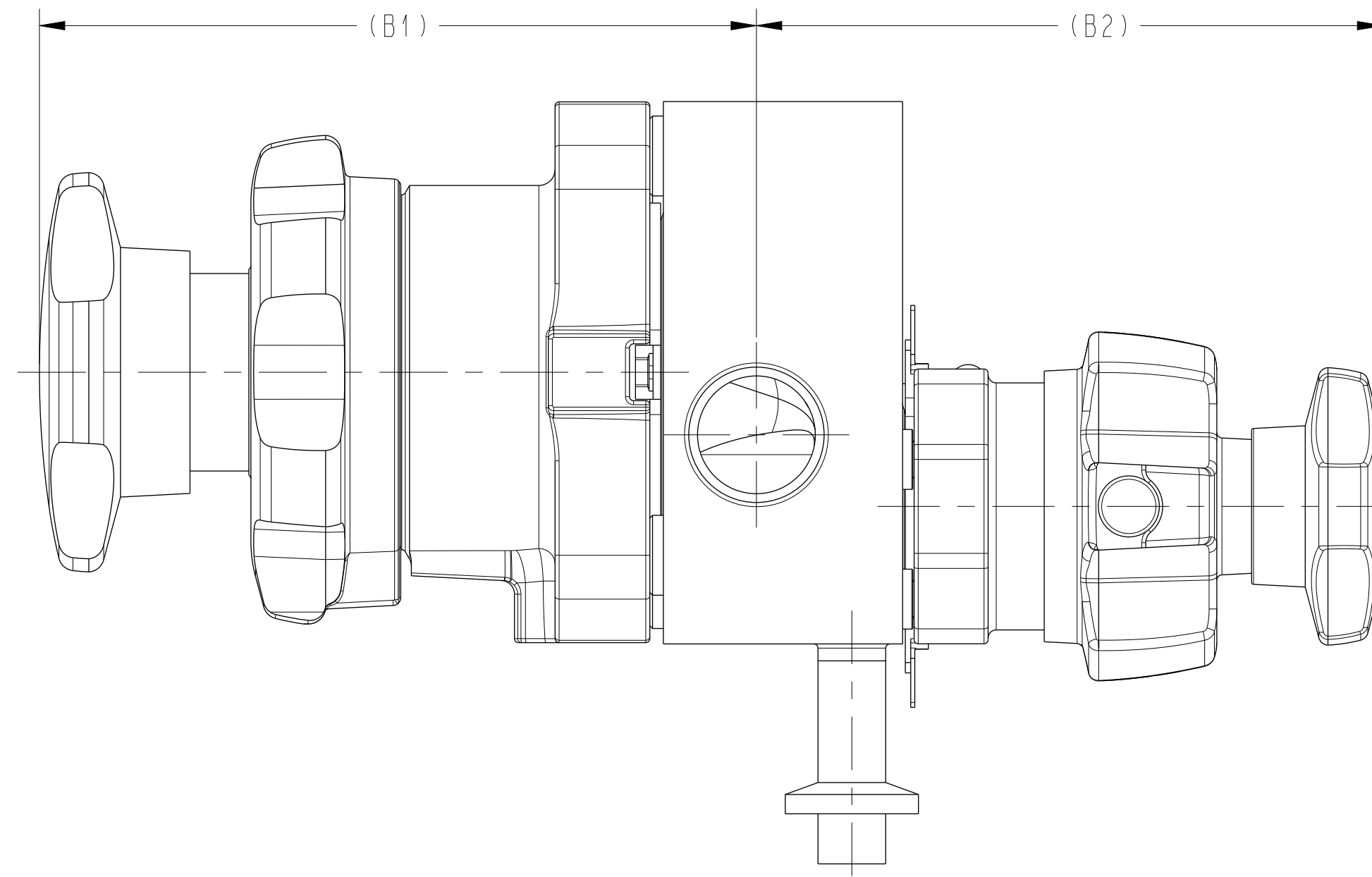
©

©

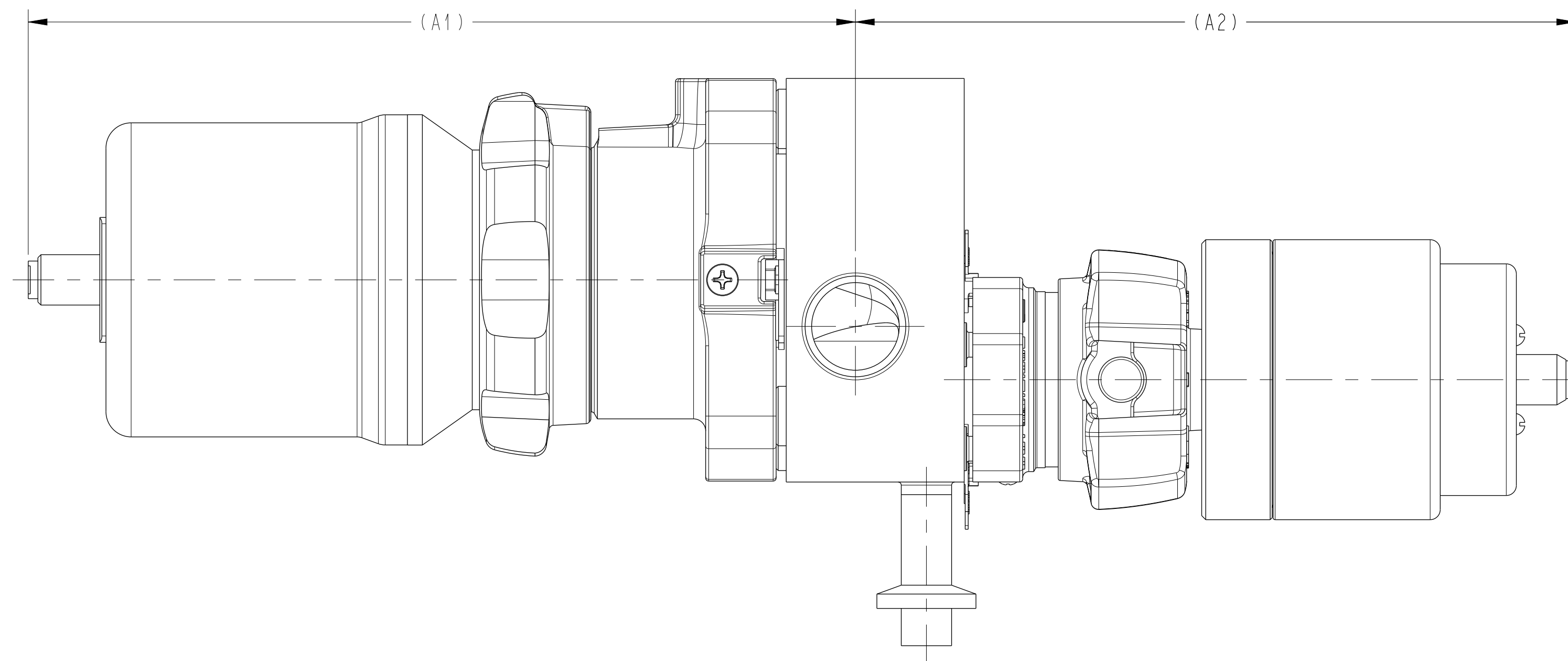
©

©

©



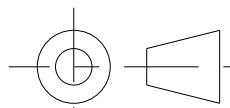
ENVIZION ZERO TORQUE MANUAL BONNET



ENVIZION ZERO TORQUE ACTUATED BONNET

PURE-FLO ORDER: - ITEM: -
 CUSTOMER: -
 CUSTOMER PO: -
 OTHER INFO: -

THIS DOCUMENT IS THE SOLE PROPERTY OF ITT CORPORATION, OR ITS SUBSIDIARY, AND IS PROVIDED SUBJECT TO RETURN. IT IS ISSUED IN STRICT CONFIDENCE AND SHALL NOT BE REPRODUCED, OR COPIED, OR DISCLOSED IN WHOLE OR IN PART, OR USED AS THE BASIS FOR THE MANUFACTURE OR SALES OF APPARATUS OR PARTS TO WHICH THE DOCUMENT RELATES, WITHOUT THE EXPRESS WRITTEN CONSENT OF ITT CORPORATION, OR ITS SUBSIDIARY. THIS LEGEND SHALL BE MARKED ON ANY REPRODUCTION HEREOF, IN WHOLE OR IN PART. ALL RIGHTS TO THE INFORMATION AND DESIGN DISCLOSED HEREIN ARE RESERVED TO ITT CORPORATION, OR ITS SUBSIDIARY.

THIRD ANGLE PROJECTION

 UNLESS OTHERWISE SPECIFIED, ALL DIMENSIONS ARE IN INCHES/[MM]

UNLESS OTHERWISE NOTED
 INCH MM
 .X : ± 0.06
 .XX : ± 0.06
 .XXX : ± 0.02
 X : ± 1.5
 XX : ± 1.5
 X' : ± 1.5
 XX' : ± 1.5

DATE	BY
01/14/20	LFV
CHKD	TJS
01/14/20	
APVD	MMA
01/14/20	

ISG ENVIZION RH VALVE ASSY.	
1/2" - 2"	
MASTER DWG:	A28932/C
ECN#	17098

		Pure-Flo www.ittpureflo.com	
D	A28932	SHEET	REV
		2 OF 2	C
ISSUE BY:		CERT BY:	