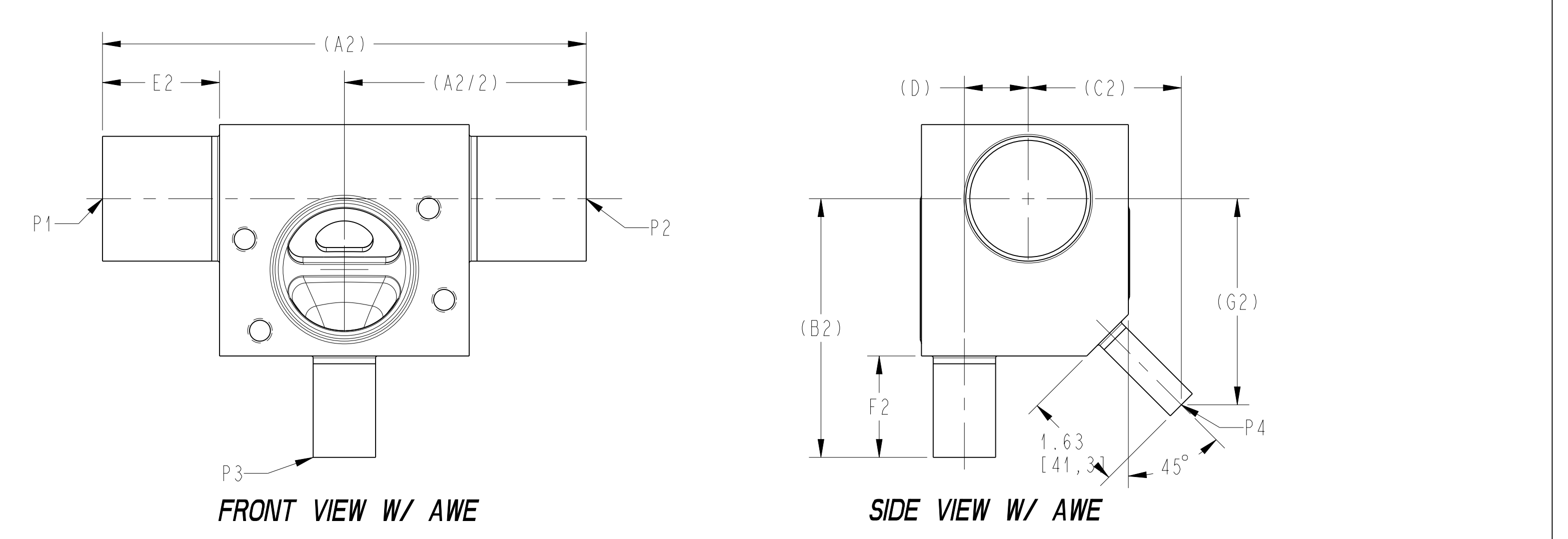
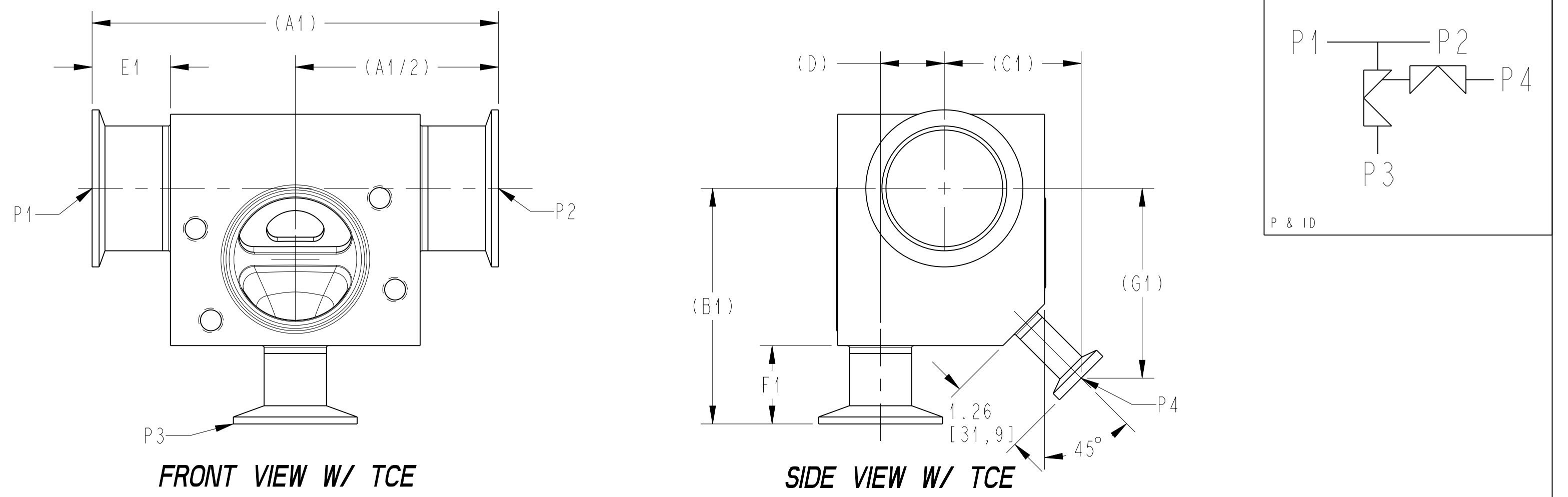


RUN X VALVE X SAMPLE	(A1)	(A2)	(B1)	(B2)	(C1)	(C2)	(D)	E1	E2	F1	F2	(G1)	(G2)	BODY DWG											
1/2" X 1/2" X 1/2"	(5.11) [129,8]	(5.85) [148,6]	(3.12)	(3.49)	(1.45)	(1.71)	(0.51)	1.26 [31,9]	1.63 [41,3]	1.26 [31,9]	1.63 [41,3]	(2.44)	(2.70)	122875											
3/4" X 1/2" X 1/2"			[79,1]	[88,5]	[36,9]	[43,5]	[12,8]					(2.54)	(2.80)		[62,0]	[68,7]									
1" X 1/2" X 1/2"			(3.21)	(3.58)	(1.58)	(1.84)	(0.61)					(2.62)	(2.88)		(2.84)	(3.10)	[81,6]	[91,0]	[40,1]	[46,7]	[15,4]	(2.62)	(2.88)	[66,5]	[73,2]
1-1/2" X 1/2" X 1/2"			(3.28)	(3.65)	(1.70)	(1.96)	(0.74)					(2.84)	(3.10)		(2.84)	(3.10)	[83,4]	[92,8]	[43,2]	[49,9]	[18,7]	(2.84)	(3.10)	[72,2]	[78,8]
2" X 1/2" X 1/2"			(3.51)	(3.88)	(1.95)	(2.21)	(0.98)					(3.07)	(3.33)		(3.07)	(3.33)	[89,0]	[98,4]	[49,6]	[56,2]	[24,8]	(3.07)	(3.33)	[78,0]	[84,7]
2-1/2" X 1/2" X 1/2"			(3.75)	(4.12)	(2.18)	(2.44)	(1.15)					(3.32)	(3.58)		(3.32)	(3.58)	[95,2]	[104,6]	[55,4]	[62,1]	[33,4]	(3.32)	(3.58)	[84,2]	[90,9]
3" X 1/2" X 1/2"			(4.01)	(4.38)	(2.38)	(2.64)	(1.31)					(3.54)	(3.80)		(3.54)	(3.80)	[101,8]	[111,2]	[60,5]	[67,1]	[41,3]	(3.54)	(3.80)	[90,0]	[96,6]
4" X 1/2" X 1/2"			(4.27)	(4.64)	(2.56)	(2.82)	(1.46)					(4.05)	(4.31)		(4.05)	(4.31)	[108,4]	[117,8]	[65,1]	[71,7]	[47,6]	(4.05)	(4.31)	[90,0]	[96,6]
(B) 3/4" X 3/4"R X 1/2"	(5.11) [129,8]	(6.35) [161,3]	(3.22)	(3.59)	(1.58)	(1.84)	(0.54)	1.26 [31,9]	1.88 [47,6]	1.26 [31,9]	1.63 [41,3]	(2.46)	(2.73)	122876											
(B) 1" X 3/4"R X 1/2"			(3.28)	(3.65)	(1.70)	(1.96)	(0.58)					(2.62)	(2.88)		(2.62)	(2.88)	[81,7]	[91,1]	[40,1]	[46,7]	[13,6]	(2.62)	(2.88)	[66,5]	[73,2]
(B) 1-1/2" X 3/4"R X 1/2"			(3.51)	(3.88)	(1.95)	(2.21)	(0.82)					(2.84)	(3.10)		(2.84)	(3.10)	[89,0]	[98,4]	[49,6]	[56,2]	[20,8]	(2.84)	(3.10)	[72,2]	[78,8]
(B) 2" X 3/4"R X 1/2"			(3.75)	(4.12)	(2.18)	(2.44)	(0.99)					(3.07)	(3.33)		(3.07)	(3.33)	[95,2]	[104,6]	[55,4]	[62,1]	[25,1]	(3.07)	(3.33)	[78,0]	[84,7]
(B) 2-1/2" X 3/4"R X 1/2"			(4.01)	(4.38)	(2.38)	(2.64)	(1.16)					(3.32)	(3.58)		(3.32)	(3.58)	[101,8]	[111,2]	[60,5]	[67,1]	[29,4]	(3.32)	(3.58)	[84,2]	[90,9]
(B) 3" X 3/4"R X 1/2"			(4.27)	(4.64)	(2.56)	(2.82)	(1.30)					(3.54)	(3.80)		(3.54)	(3.80)	[108,4]	[117,8]	[65,1]	[71,7]	[33,0]	(3.54)	(3.80)	[90,0]	[96,6]
(B) 4" X 3/4"R X 1/2"			(4.77)	(5.14)	(2.84)	(3.11)	(1.88)					(4.05)	(4.31)		(4.05)	(4.31)	[174,0]	[183,4]	[72,2]	[78,9]	[43,7]	(4.05)	(4.31)	[102,8]	[109,5]
(B) 4" X 3/4"R X 1/2"			(4.77)	(5.14)	(2.84)	(3.11)	(1.72)					(4.05)	(4.31)		(4.05)	(4.31)	[174,0]	[183,4]	[72,2]	[78,9]	[43,7]	(4.05)	(4.31)	[102,8]	[109,5]

RUN X VALVE X SAMPLE	(A1)	(A2)	(B1)	(B2)	(C1)	(C2)	(D)	E1	E2	F1	F2	(G1)	(G2)	BODY DWG														
1" X 1" X 1/2"	(6.51) [165,4]	(7.25) [184,2]	(3.24)	(3.61)	(1.70)	(1.96)	(0.52)	1.26 [31,9]	1.63 [41,3]	1.26 [31,9]	1.63 [41,3]	(2.55)	(2.81)	122877														
1-1/2" X 1" X 1/2"			(3.51)	(3.88)	(1.95)	(2.21)	(0.77)					(2.82)	(3.08)		(2.82)	(3.08)	[89,1]	[98,5]	[49,6]	[56,2]	[19,6]	(2.82)	(3.08)	[71,5]	[78,2]			
2" X 1" X 1/2"			(3.78)	(4.15)	(2.19)	(2.45)	(1.02)					(3.04)	(3.30)		(3.04)	(3.30)	[95,9]	[105,3]	[55,7]	[62,3]	[26,0]	(3.04)	(3.30)	[77,2]	[83,9]			
2-1/2" X 1" X 1/2"			(4.04)	(4.41)	(2.38)	(2.64)	(1.21)					(3.32)	(3.58)		(3.32)	(3.58)	[102,5]	[111,9]	[60,5]	[67,1]	[30,8]	(3.32)	(3.58)	[84,4]	[91,1]			
3" X 1" X 1/2"			(4.30)	(4.67)	(2.55)	(2.81)	(1.37)					(3.56)	(3.83)		(3.56)	(3.83)	[109,2]	[118,6]	[64,8]	[71,4]	[34,8]	(3.56)	(3.83)	[90,5]	[97,2]			
4" X 1" X 1/2"			(4.80)	(5.17)	(2.84)	(3.10)	(1.67)					(4.07)	(4.33)		(4.07)	(4.33)	[209,6]	[219,0]	[72,1]	[78,8]	[42,5]	(4.07)	(4.33)	[103,3]	[110,0]			
1-1/2" X 1-1/2" X 1/2"			(8.63)	(9.00)	(4.09)	(4.46)	(1.95)					(2.21)	(0.51)		1.26 [31,9]	1.88 [47,6]	1.26 [31,9]	1.63 [41,3]	(3.10)	(3.36)	122897							
2" X 1-1/2" X 1/2"			(4.36)	(4.73)	(2.18)	(2.44)	(0.75)					(3.10)	(3.36)						(3.10)	(3.36)		[110,7]	[120,1]	[55,4]	[62,1]	[19,1]	(3.10)	(3.36)
2-1/2" X 1-1/2" X 1/2"	(4.63)	(5.00)	(2.37)	(2.63)	(1.02)	(3.35)	(3.61)	(3.35)	(3.61)	[117,5]	[126,9]	[60,2]	[66,9]	[25,9]					(3.35)	(3.61)		[85,2]	[91,8]					
3" X 1-1/2" X 1/2"	(4.89)	(5.26)	(2.55)	(2.81)	(1.23)	(3.58)	(3.84)	(3.58)	(3.84)	[124,2]	[133,6]	[64,8]	[71,4]	[31,2]					(3.58)	(3.84)		[90,9]	[97,5]					
4" X 1-1/2" X 1/2"	(5.39)	(5.76)	(2.87)	(3.14)	(1.57)	(4.04)	(4.30)	(4.04)	(4.30)	[244,5]	[253,9]	[73,0]	[79,6]	[39,9]					(4.04)	(4.30)		[102,6]	[109,2]					
2" X 2" X 1/2"	(9.64)	(10.01)	(4.39)	(4.76)	(2.18)	(2.44)	(0.49)	1.26 [31,9]	1.88 [47,6]	1.26 [31,9]	1.88 [47,6]	(3.43)	(3.70)	122898														
2-1/2" X 2" X 1/2"	(4.63)	(5.00)	(2.37)	(2.63)	(0.77)	(3.36)	(3.62)					(3.36)	(3.62)						[244,9]	[253,9]		[60,2]	[66,9]	[19,6]	(3.36)	(3.62)	[85,3]	[91,9]
3" X 2" X 1/2"	(4.90)	(5.27)	(2.54)	(2.80)	(0.99)	(3.60)	(3.86)					(3.60)	(3.86)						[251,3]	[260,7]		[64,6]	[71,2]	[25,1]	(3.60)	(3.86)	[91,5]	[98,1]
4" X 2" X 1/2"	(5.40)	(5.77)	(2.86)	(3.13)	(1.33)	(4.04)	(4.30)					(4.04)	(4.30)		[257,6]	[267,0]	[72,7]	[79,4]	[33,8]	(4.04)	(4.30)	[102,7]	[109,3]					



PURE-FLO ORDER: - ITEM: -
 CUSTOMER: -
 CUSTOMER PO: -
 OTHER INFO: -

THIS DOCUMENT IS THE SOLE PROPERTY OF ITT CORPORATION, OR ITS SUBSIDIARY, AND IS PROVIDED SUBJECT TO RETURN. IT IS ISSUED IN STRICT CONFIDENCE AND SHALL NOT BE REPRODUCED, OR COPIED, OR DISCLOSED IN WHOLE OR IN PART, OR USED AS THE BASIS FOR THE MANUFACTURE OR SALES OF APPARATUS OR PARTS TO WHICH THE DOCUMENT RELATES, WITHOUT THE EXPRESS WRITTEN CONSENT OF ITT CORPORATION, OR ITS SUBSIDIARY. THIS LEGEND SHALL BE MARKED ON ANY REPRODUCTION HEREOF, IN WHOLE OR IN PART. ALL RIGHTS TO THE INFORMATION AND DESIGN DISCLOSED HEREIN ARE RESERVED TO ITT CORPORATION, OR ITS SUBSIDIARY.

THIRD ANGLE PROJECTION	UNLESS OTHERWISE NOTED	DATE	BY
	INCH	DWN 05/13/20	LFV
	MM	CHKD 05/13/20	TJS
UNLESS OTHERWISE SPECIFIED, ALL DIMENSIONS ARE IN INCHES		APVD 05/13/20	TJS

ENVIZION 1/2" - 4" RUN X 1/2" - 2" MAIN VALVE X 1/2" ENVIZION SAMPLE VALVE ZSBS ASSY.

MASTER DWG: A28976/B ECN# 17098

ITT
www.ittpureflo.com

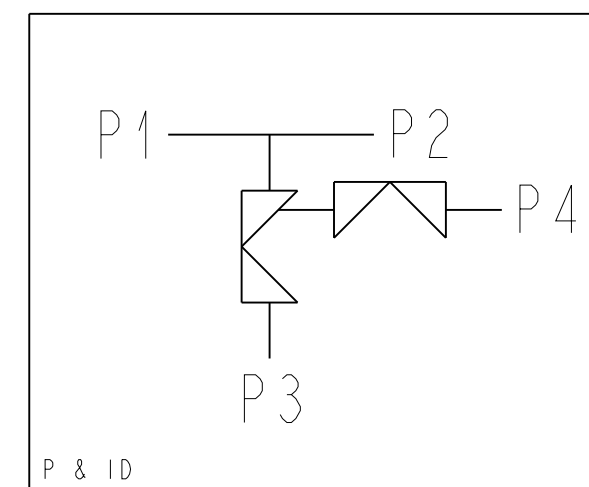
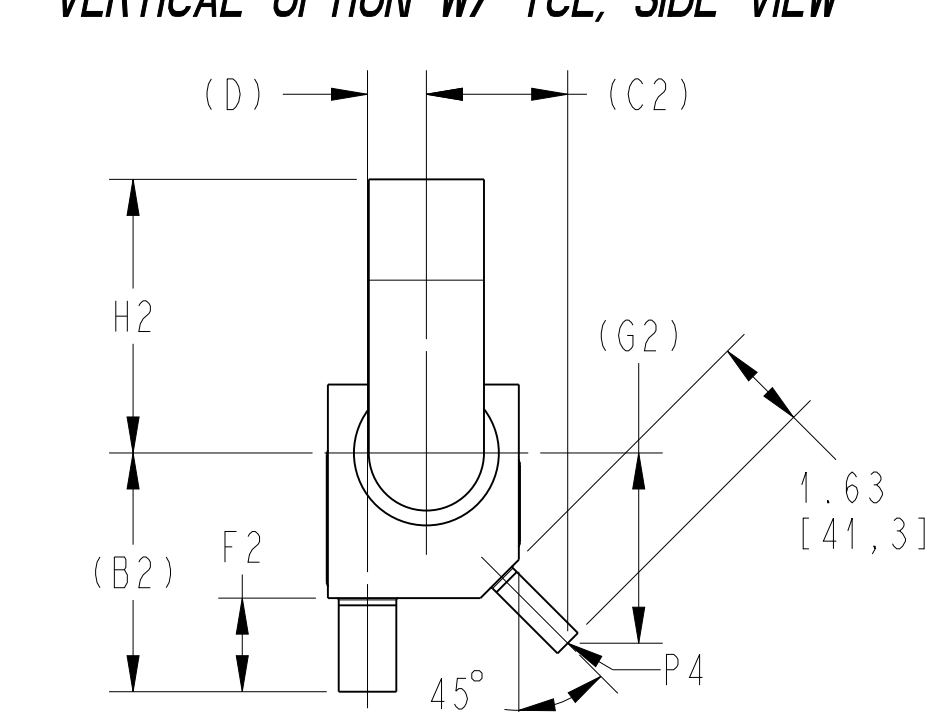
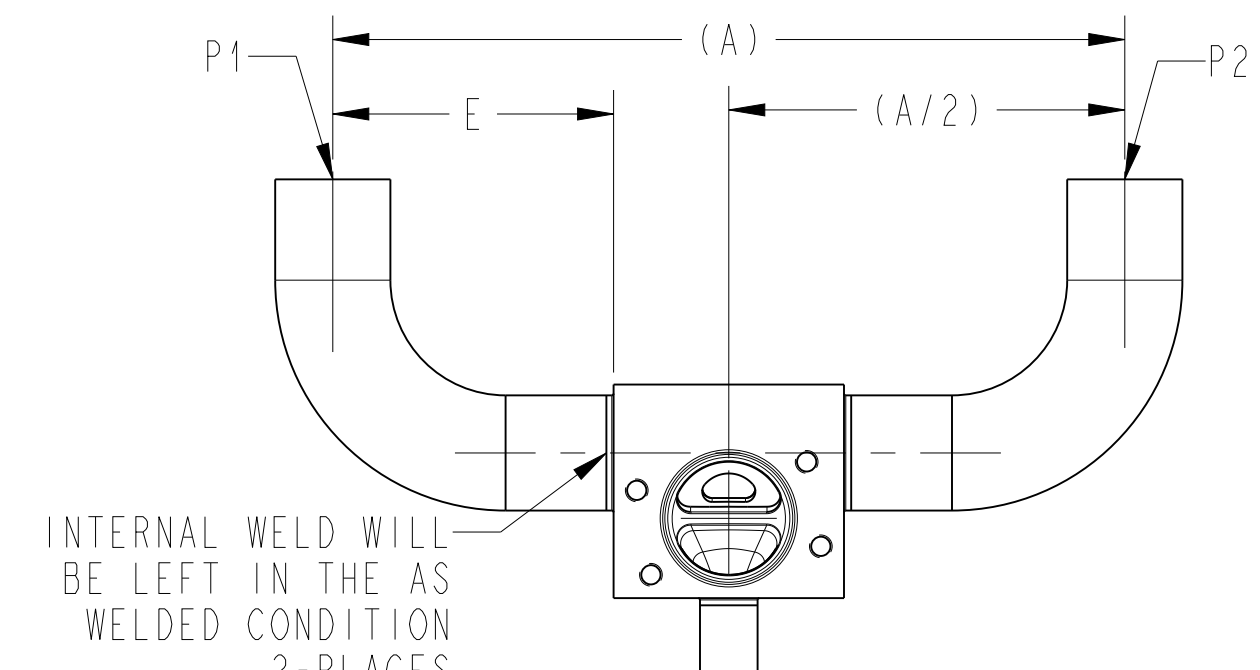
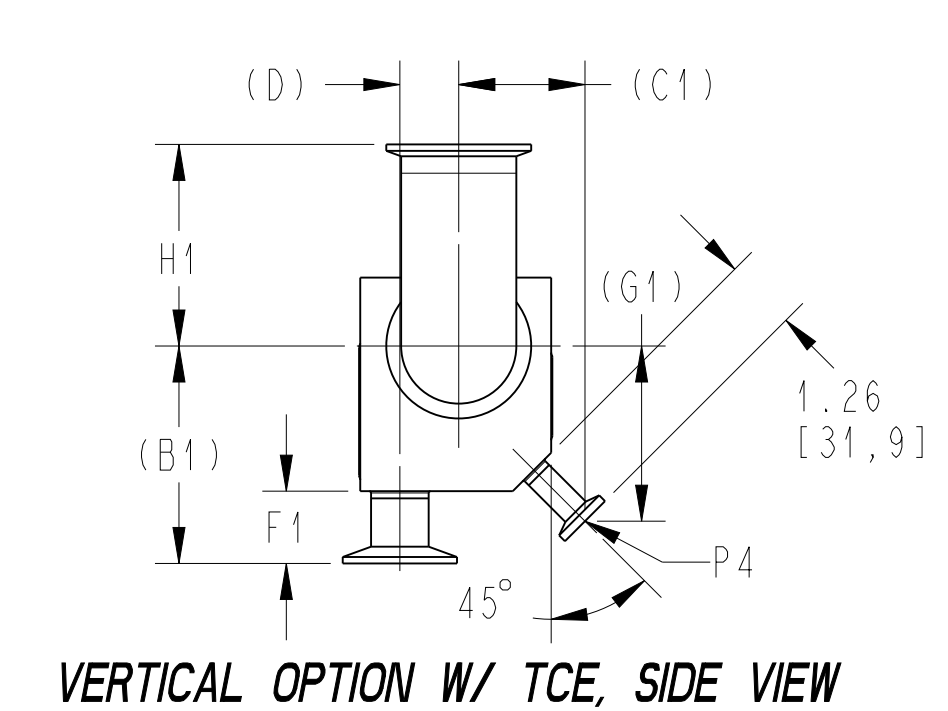
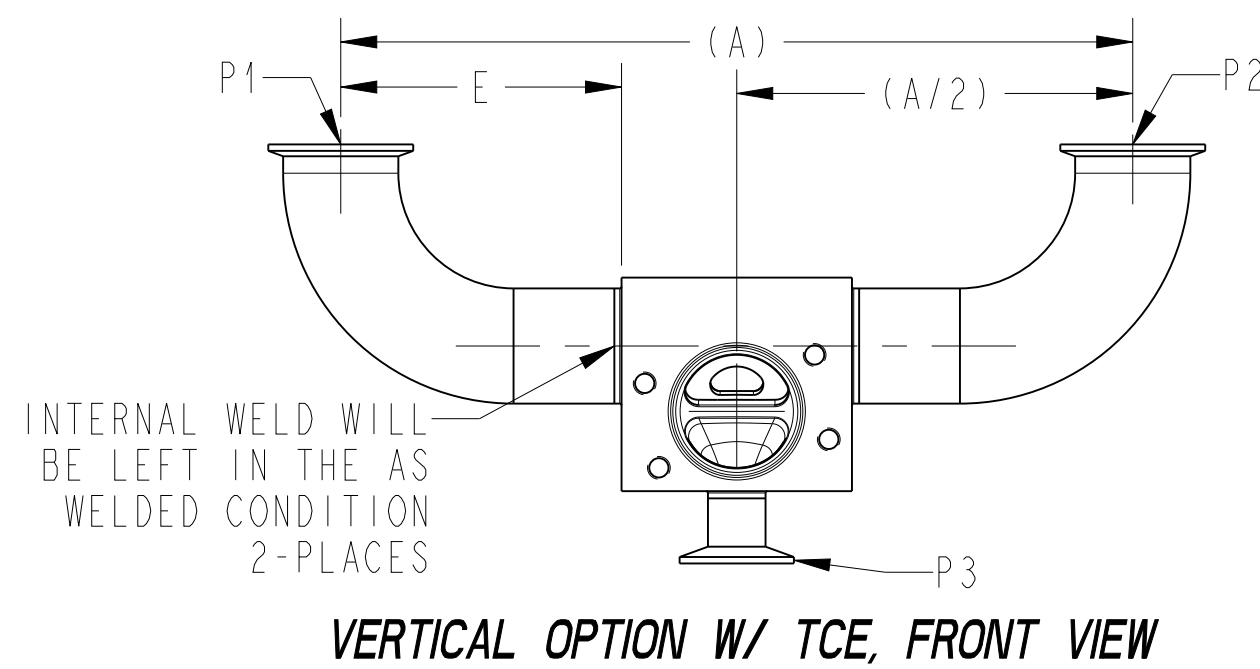
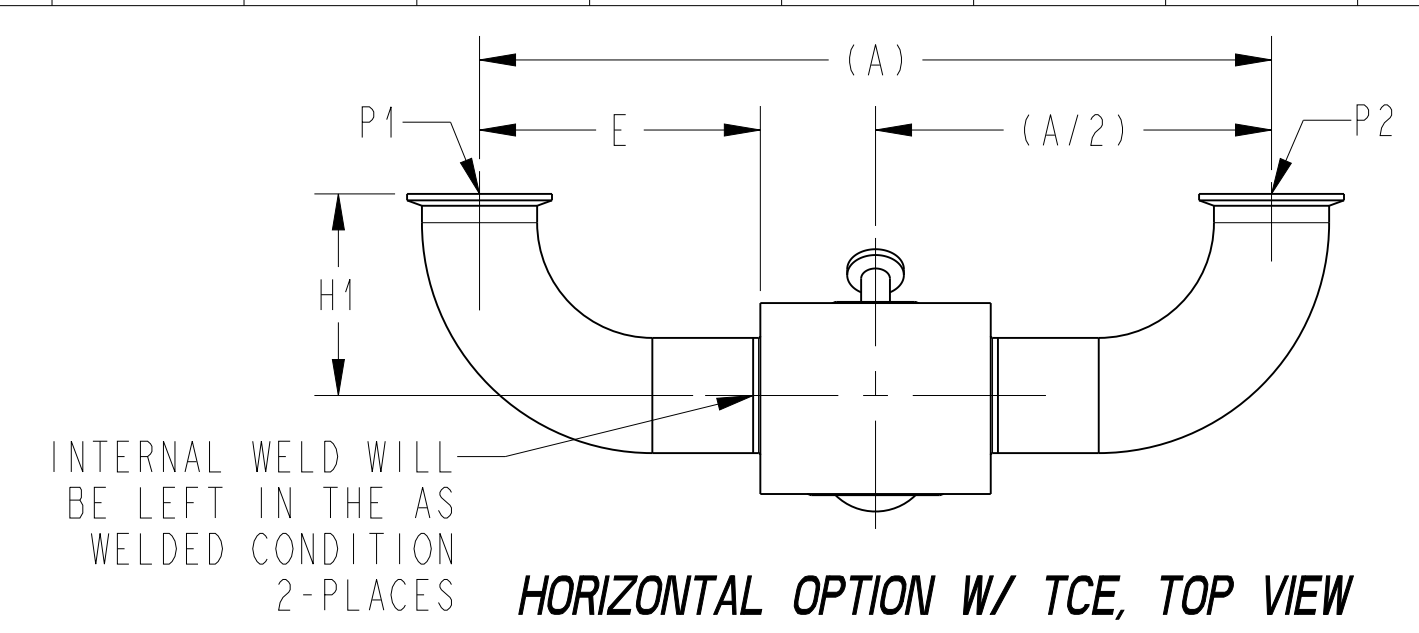
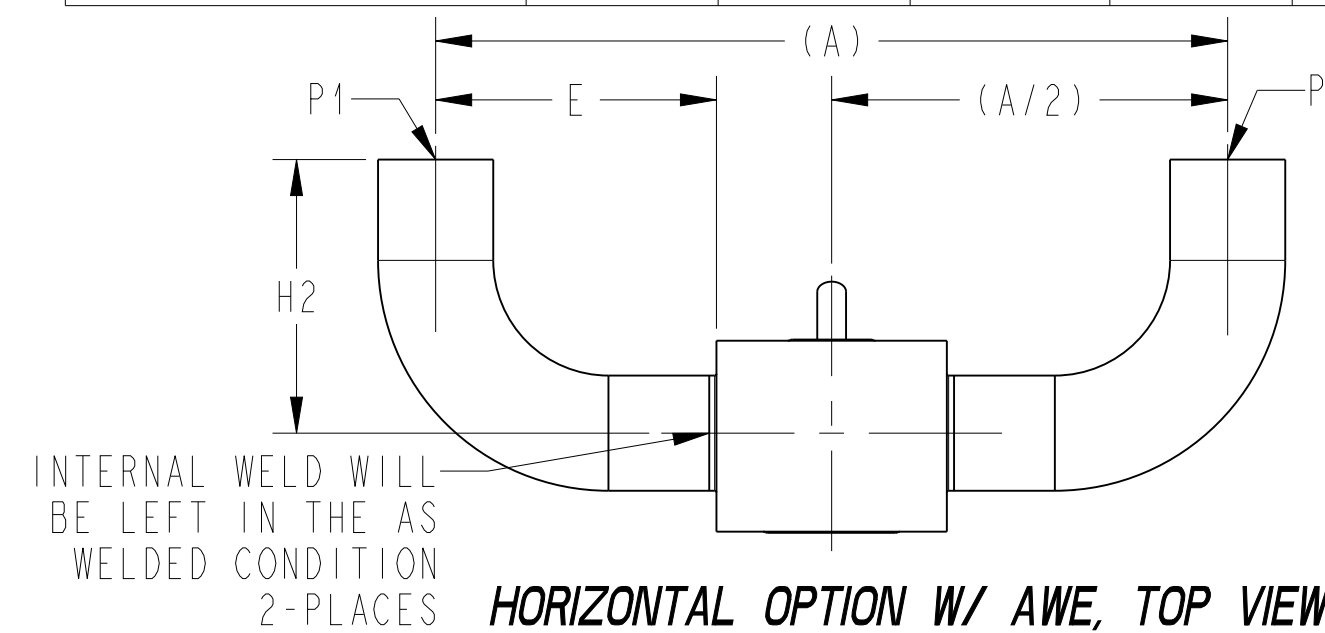
D A28976

SHEET 1 OF 3 REV B

ISSUE BY: - CERT BY: -

RUN X VALVE X SAMPLE	(A)	(B1)	(B2)	(C1)	(C2)	(D)	E	F1	F2	(G1)	(G2)	H1	H2	BODY DWG	
1/2" X 1/2" X 1/2"		(3.12) [79,1]	(3.49) [88,5]	(1.45) [36,9]	(1.71) [43,5]	(0.51) [12,8]				(2.44) [62,0]	(2.70) [68,7]	1.63 [41,3]		122875	
3/4" X 1/2" X 1/2"	(8.85) [224,8]	(3.21) [81,6]	(3.58) [91,0]	(1.58) [40,1]	(1.84) [46,7]	(0.61) [15,4]	3.13 [79,4]			(2.54) [64,6]	(2.80) [71,2]		3.00 [76,2]		
1" X 1/2" X 1/2"		(3.28) [83,4]	(3.65) [92,8]	(1.70) [43,2]	(1.96) [49,9]	(0.74) [18,7]				(2.62) [66,5]	(2.88) [73,2]	2.00 [50,8]			
1-1/2" X 1/2" X 1/2"	(10.35) [262,9]	(3.51) [89,0]	(3.88) [98,4]	(1.95) [49,6]	(2.21) [56,2]	(0.98) [24,8]	3.88 [98,4]	1.26 [31,9]	1.63 [41,3]	(2.84) [72,2]	(3.10) [78,8]	2.75 [69,9]	3.75 [95,3]		
2" X 1/2" X 1/2"	(12.35) [313,7]	(3.75) [95,2]	(4.12) [104,6]	(2.18) [55,4]	(2.44) [62,1]	(1.15) [29,1]	4.88 [123,8]			(3.07) [78,0]	(3.33) [84,7]	3.50 [88,9]	4.75 [120,7]		
2-1/2" X 1/2" X 1/2"	(13.85) [351,8]	(4.01) [101,8]	(4.38) [111,2]	(2.38) [60,5]	(2.64) [67,1]	(1.31) [33,4]	5.63 [142,9]			(3.32) [84,2]	(3.58) [90,9]	4.25 [108,0]	5.50 [139,7]		
3" X 1/2" X 1/2"	(15.35) [389,9]	(4.27) [108,4]	(4.64) [117,8]	(2.56) [65,1]	(2.82) [71,7]	(1.46) [37,0]	6.38 [161,9]			(3.54) [90,0]	(3.80) [96,6]	5.00 [127,0]	6.25 [158,8]		
4" X 1/2" X 1/2"	(18.85) [478,8]	(4.77) [121,3]	(5.14) [130,7]	(2.84) [72,2]	(3.11) [78,9]	(1.88) [47,6]	8.13 [206,4]			(4.05) [102,8]	(4.31) [109,5]	6.63 [168,3]	8.00 [203,2]		
3/4" X 3/4"R X 1/2"	(8.85) [224,8]	(3.22) [81,7]	(3.59) [91,1]	(1.58) [40,1]	(1.84) [46,7]	(0.54) [13,6]	3.13 [79,4]			(2.46) [62,6]	(2.73) [69,2]	1.63 [41,3]	3.00 [76,2]		123953
1" X 3/4"R X 1/2"		(3.28) [83,4]	(3.65) [92,8]	(1.70) [43,2]	(1.96) [49,9]	(0.58) [14,7]	3.13 [79,4]			(2.62) [66,5]	(2.88) [73,2]	2.00 [50,8]			
1-1/2" X 3/4"R X 1/2"	(10.35) [262,9]	(3.51) [89,0]	(3.88) [98,4]	(1.95) [49,6]	(2.21) [56,2]	(0.82) [20,8]	3.88 [98,4]	1.26 [31,9]	1.63 [41,3]	(2.84) [72,2]	(3.10) [78,8]	2.75 [69,9]	3.75 [95,3]		
2" X 3/4"R X 1/2"	(12.35) [313,7]	(3.75) [95,2]	(4.12) [104,6]	(2.18) [55,4]	(2.44) [62,1]	(0.99) [25,1]	4.88 [123,8]			(3.07) [78,0]	(3.33) [84,7]	3.50 [88,9]	4.75 [120,7]		
2-1/2" X 3/4"R X 1/2"	(13.85) [351,8]	(4.01) [101,8]	(4.38) [111,2]	(2.38) [60,5]	(2.64) [67,1]	(1.16) [29,4]	5.63 [142,9]			(3.32) [84,2]	(3.58) [90,9]	4.25 [108,0]	5.50 [139,7]		
3" X 3/4"R X 1/2"	(15.35) [389,9]	(4.27) [108,4]	(4.64) [117,8]	(2.56) [65,1]	(2.82) [71,7]	(1.30) [33,0]	6.38 [161,9]			(3.54) [90,0]	(3.80) [96,6]	5.00 [127,0]	6.25 [158,8]		
4" X 3/4"R X 1/2"	(18.85) [478,8]	(4.77) [121,3]	(5.14) [130,7]	(2.84) [72,2]	(3.11) [78,9]	(1.72) [43,7]	8.13 [206,4]			(4.05) [102,8]	(4.31) [109,5]	6.63 [168,3]	8.00 [203,2]		
3/4" X 3/4" X 1/2"	(10.25) [260,4]	(3.11) [79,0]	(3.48) [88,4]	(1.56) [39,5]	(1.82) [46,2]	(0.56) [14,3]	3.13 [79,4]			(2.43) [61,7]	(2.69) [68,3]	1.63 [41,3]	3.00 [76,2]	122876	
1" X 3/4" X 1/2"		(3.24) [82,4]	(3.61) [91,8]	(1.70) [43,2]	(1.96) [49,9]	(0.68) [17,3]				(2.55) [64,8]	(2.81) [71,4]	2.00 [50,8]			
1-1/2" X 3/4" X 1/2"	(11.75) [298,5]	(3.51) [89,1]	(3.88) [98,5]	(1.95) [49,6]	(2.21) [56,2]	(0.93) [23,6]	3.88 [98,4]	1.26 [31,9]	1.63 [41,3]	(2.82) [71,5]	(3.08) [78,2]	2.75 [69,9]	3.75 [95,3]		
2" X 3/4" X 1/2"	(13.75) [349,3]	(3.78) [95,9]	(4.15) [105,3]	(2.19) [55,7]	(2.45) [62,3]	(1.18) [30,0]	4.88 [123,8]			(3.04) [77,2]	(3.30) [83,9]	3.50 [88,9]	4.75 [120,7]		
2-1/2" X 3/4" X 1/2"	(15.25) [387,4]	(4.04) [102,5]	(4.41) [111,9]	(2.38) [60,5]	(2.64) [67,1]	(1.37) [34,8]	5.63 [142,9]			(3.32) [84,4]	(3.58) [91,1]	4.25 [108,0]	5.50 [139,7]		
3" X 3/4" X 1/2"	(16.75) [425,5]	(4.30) [109,2]	(4.67) [118,6]	(2.55) [64,8]	(2.81) [71,4]	(1.53) [38,9]	6.38 [161,9]			(3.56) [90,5]	(3.83) [97,2]	5.00 [127,0]	6.25 [158,8]		
4" X 3/4" X 1/2"	(20.25) [514,4]	(4.80) [121,9]	(5.17) [131,3]	(2.83) [72,0]	(3.10) [78,6]	(1.83) [46,5]	8.13 [206,4]			(4.07) [103,4]	(4.33) [110,1]	6.63 [168,3]	8.00 [203,2]		

RUN X VALVE X SAMPLE	(A)	(B1)	(B2)	(C1)	(C2)	(D)	E	F1	F2	(G1)	(G2)	H1	H2	BODY DWG
1" X 1" X 1/2"	(10.25) [260,4]	(3.24) [82,4]	(3.61) [91,8]	(1.70) [43,2]	(1.96) [49,9]	(0.52) [13,3]	3.13 [79,4]			(2.44) [62,0]	(2.70) [68,7]	1.63 [41,3]		122877
1-1/2" X 1" X 1/2"	(11.75) [298,5]	(3.51) [89,1]	(3.88) [98,5]	(1.95) [49,6]	(2.21) [56,2]	(0.77) [19,6]	3.88 [98,4]	1.26 [31,9]	1.63 [41,3]	(2.82) [71,5]	(3.08) [78,2]	2.75 [69,9]	3.75 [95,3]	
2" X 1" X 1/2"	(13.75) [349,3]	(3.78) [95,9]	(4.15) [105,3]	(2.19) [55,7]	(2.45) [62,3]	(1.02) [26,0]	4.88 [123,8]			(3.04) [77,2]	(3.30) [83,9]	3.50 [88,9]	4.75 [120,7]	
2-1/2" X 1" X 1/2"	(15.25) [387,4]	(4.04) [102,5]	(4.41) [111,9]	(2.38) [60,5]	(2.64) [67,1]	(1.21) [30,8]	5.63 [142,9]			(3.32) [84,4]	(3.58) [91,1]	4.25 [108,0]	5.50 [139,7]	
3" X 1" X 1/2"	(16.75) [425,5]	(4.30) [109,2]	(4.67) [118,6]	(2.55) [64,8]	(2.81) [71,4]	(1.37) [34,8]	6.38 [161,9]			(3.56) [90,5]	(3.83) [97,2]	5.00 [127,0]	6.25 [158,8]	
4" X 1" X 1/2"	(20.25) [514,4]	(4.80) [121,9]	(5.17) [131,3]	(2.84) [72,1]	(3.10) [78,8]	(1.67) [42,5]	8.13 [206,4]			(4.07) [103,3]	(4.33) [110,0]	6.63 [168,3]	8.00 [203,2]	
1-1/2" X 1-1/2" X 1/2"	(13.13) [333,4]	(4.09) [104,0]	(4.46) [113,4]	(1.95) [49,6]	(2.21) [56,2]	(0.51) [13,0]	3.88 [98,4]	1.26 [31,9]	1.63 [41,3]	(3.10) [78,8]	(3.36) [85,4]	2.75 [69,9]	3.75 [95,3]	
2" X 1-1/2" X 1/2"	(15.13) [384,2]	(4.36) [110,7]	(4.73) [120,1]	(2.18) [55,4]	(2.44) [62,1]	(0.75) [19,1]	4.88 [123,8]			(3.10) [78,6]	(3.36) [85,3]	3.50 [88,9]	4.75 [120,7]	
2-1/2" X 1-1/2" X 1/2"	(16.63) [422,3]	(4.63) [117,5]	(5.00) [126,9]	(2.37) [60,2]	(2.63) [66,9]	(1.02) [25,9]	5.63 [142,9]			(3.35) [85,2]	(3.61) [91,8]	4.25 [108,0]	5.50 [139,7]	
3" X 1-1/2" X 1/2"	(18.13) [460,4]	(4.89) [124,2]	(5.26) [133,6]	(2.55) [64,8]	(2.81) [71,4]	(1.23) [31,2]	6.38 [161,9]			(3.58) [90,9]	(3.84) [97,5]	5.00 [127,0]	6.25 [158,8]	
4" X 1-1/2" X 1/2"	(21.63) [549,3]	(5.39) [137,0]	(5.76) [146,4]	(2.87) [73,0]	(3.14) [79,6]	(1.57) [39,9]	8.13 [206,4]			(4.04) [102,6]	(4.30) [109,2]	6.63 [168,3]	8.00 [203,2]	
2" X 2" X 1/2"	(15.64) [397,3]	(4.39) [111,5]	(5.01) [127,2]	(2.18) [55,4]	(2.44) [62,1]	(0.49) [12,4]	4.88 [123,8]	1.26 [31,9]	1.88 [47,6]	(3.43) [87,2]	(3.70) [93,9]	3.50 [88,9]	4.75 [120,7]	122898
2-1/2" X 2" X 1/2"	(17.14) [435,4]	(4.63) [117,6]	(5.25) [133,4]	(2.37) [60,2]	(2.63) [66,9]	(0.77) [19,6]	5.63 [142,9]			(3.36) [85,3]	(3.62) [91,9]	4.25 [108,0]	5.50 [139,7]	
3" X 2" X 1/2"	(18.64) [473,5]	(4.90) [124,3]	(5.52) [140,1]	(2.54) [64,6]	(2.80) [71,2]	(0.99) [25,1]	6.38 [161,9]			(3.60) [91,5]	(3.86) [98,1]	5.00 [127,0]	6.25 [158,8]	
4" X 2" X 1/2"	(22.14) [562,4]	(5.40) [137,1]	(6.02) [152,9]	(2.86) [72,7]	(3.13) [79,4]	(1.33) [33,8]	8.13 [206,4]			(4.04) [102,7]	(4.30) [109,3]	6.63 [168,3]	8.00 [203,2]	



PURE-FLO ORDER: - ITEM: -
 CUSTOMER: -
 CUSTOMER PO: -
 OTHER INFO: -

THIS DOCUMENT IS THE SOLE PROPERTY OF ITT CORPORATION, OR ITS SUBSIDIARY, AND IS PROVIDED SUBJECT TO RETURN. IT IS ISSUED IN STRICT CONFIDENCE AND SHALL NOT BE REPRODUCED, OR COPIED, OR DISCLOSED IN WHOLE OR IN PART, OR USED AS THE BASIS FOR THE MANUFACTURE OR SALES OF APPARATUS OR PARTS TO WHICH THE DOCUMENT RELATES, WITHOUT THE EXPRESS WRITTEN CONSENT OF ITT CORPORATION, OR ITS SUBSIDIARY. THIS LEGEND SHALL BE MARKED ON ANY REPRODUCTION HEREOF, IN WHOLE OR IN PART. ALL RIGHTS TO THE INFORMATION AND DESIGN DISCLOSED HEREIN ARE RESERVED TO ITT CORPORATION, OR ITS SUBSIDIARY.

THIRD ANGLE PROJECTION	UNLESS OTHERWISE NOTED INCH MM	DATE	BY
	X ± ± 0.06 XX ± ± 0.06 XXX ± ± 0.02 X ± ± 1/16 X ± ± 1/8	DWN 05/13/20	LFV
UNLESS OTHERWISE SPECIFIED, ALL DIMENSIONS ARE IN INCHES	X ± ± 1.5 XX ± ± 1.5 X ± ± 3/32	CHKD 05/13/20	TJS
		APVD 05/13/20	TJS

ENVIZION 1/2" - 4" RUN X 1/2" - 2" MAIN VALVE X 1/2" ENVIZION SAMPLE VALVE ZSBB5 ASSY.
 MASTER DWG: A28976/B ECN# 17098

ITT Pure-Flo
 www.ittpureflo.com
 SHEET 2 OF 3 REV B
 A28976
 ISSUE BY: - CERT BY: -

