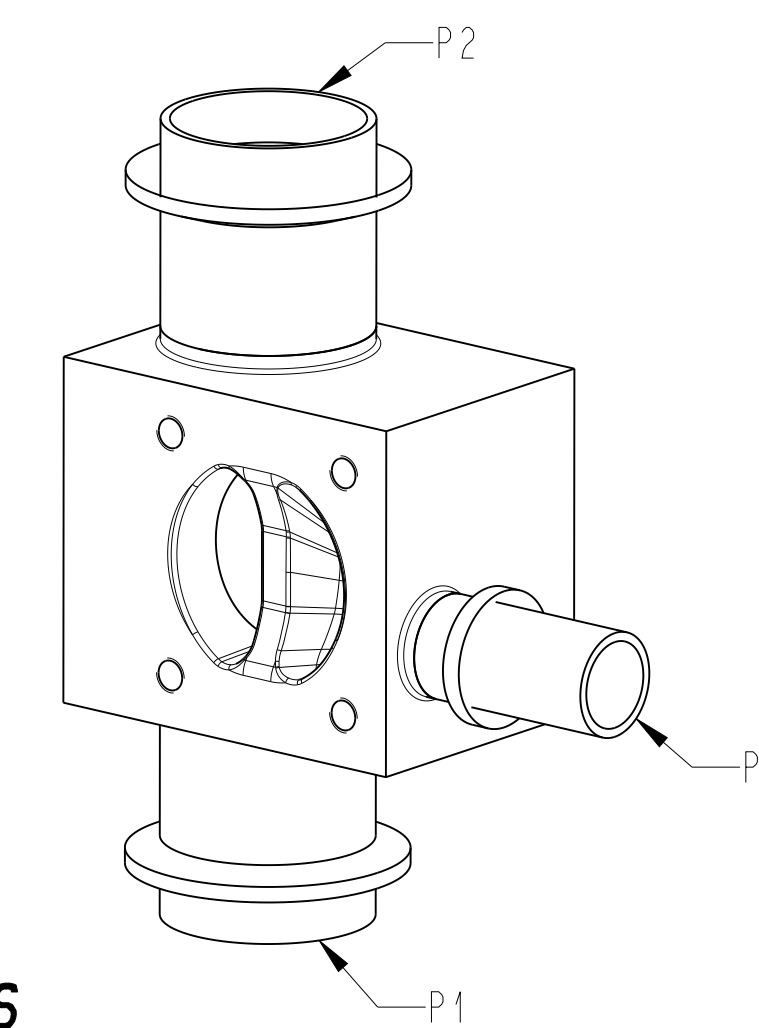
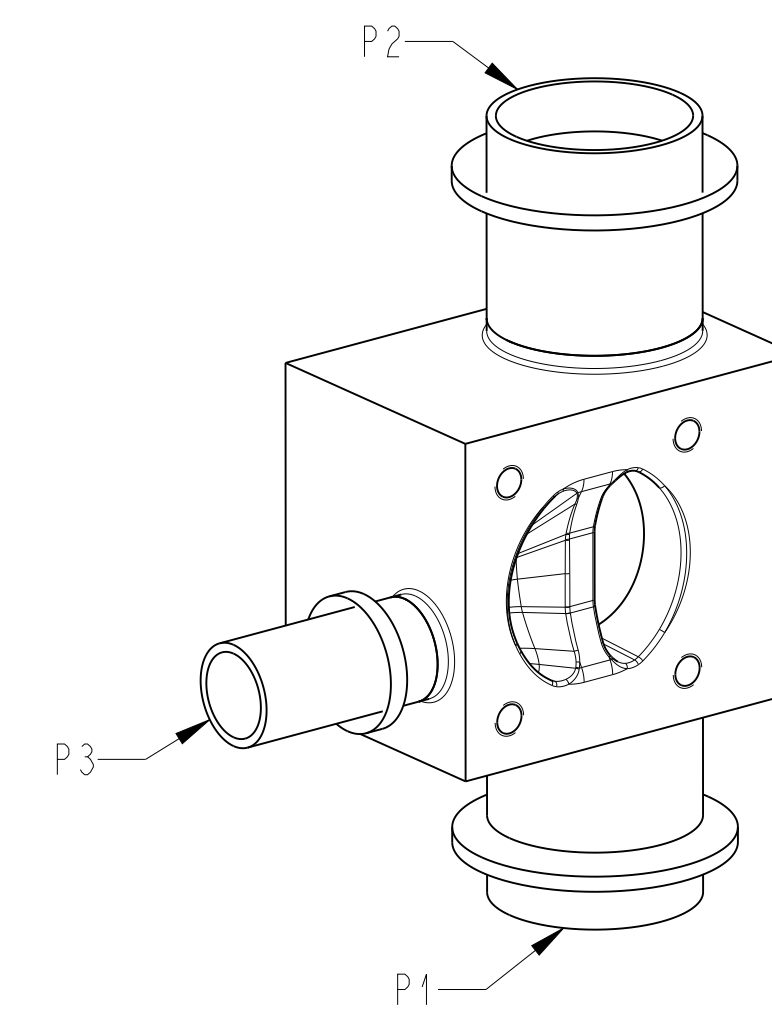
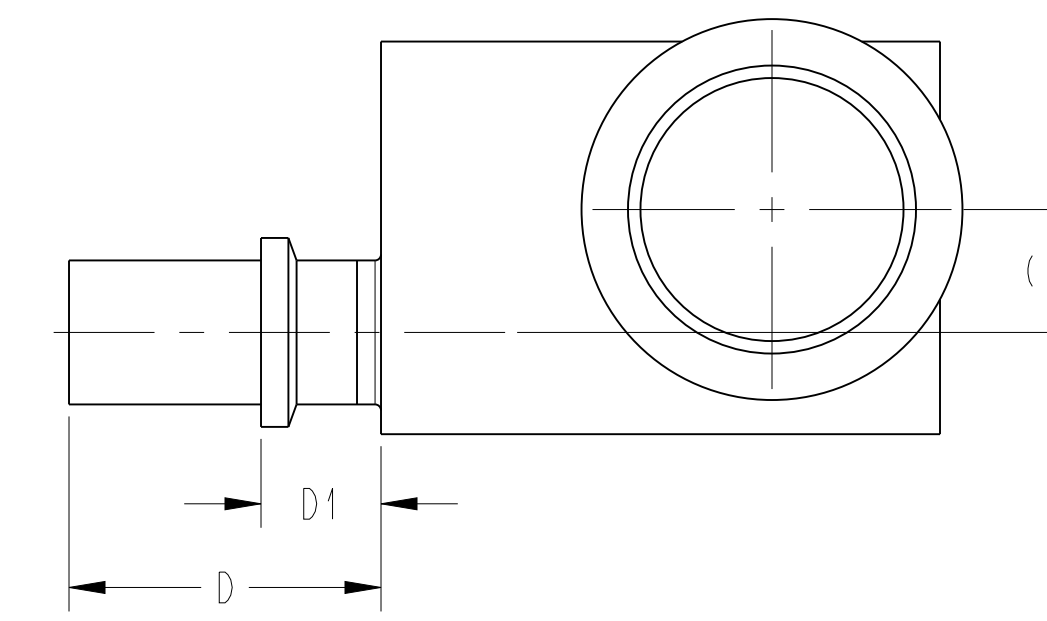
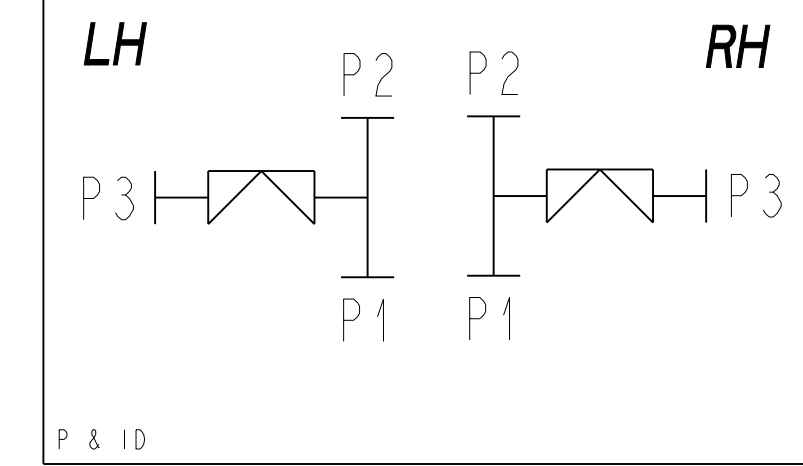


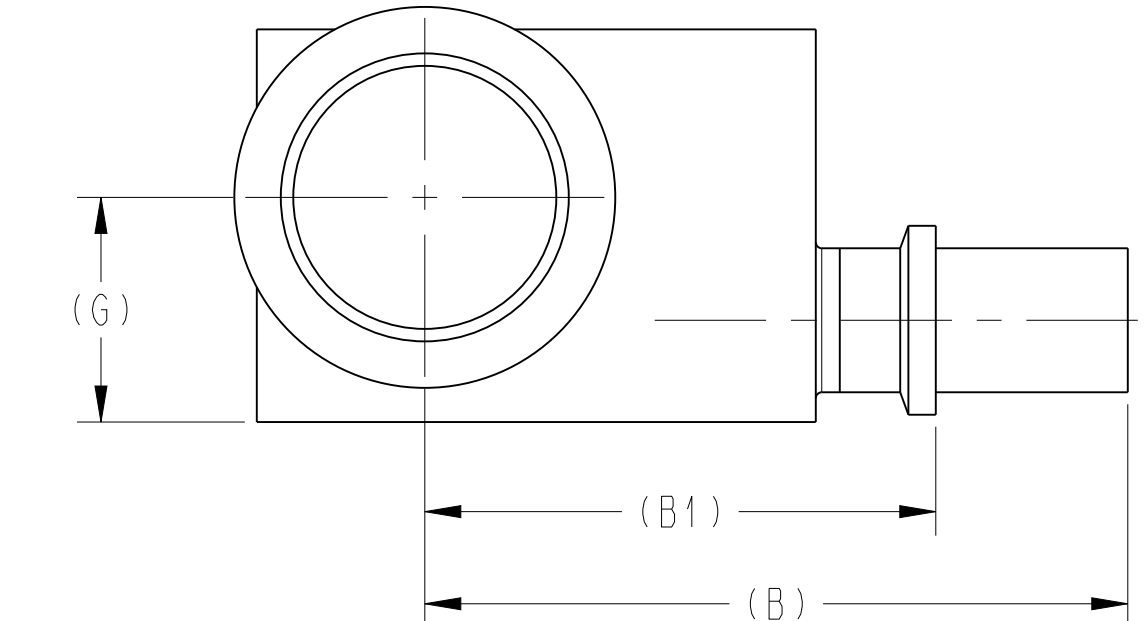
RUN X VALVE	(A)	(A1)	(B)	(B1)	C	C1	D	D1	(E)	(F)	(G)	(H)	BODY DWG
1/2" X 1/2" PF	(5.25) [133,4]	(4.51) [114,6]	(2.90) [73,6]	(1.90) [48,2]	1.63 [41,3]	1.26 [31,9]	1.63 [41,3]	0.63 [15,9]	(0.30) [7,6]	(0.16) [3,9]	(0.53) [13,5]	(0.34) [8,5]	123054
3/4" X 1/2" PF			(3.04) [77,2]	(2.04) [51,8]						(0.39) [9,8]	(0.76) [19,3]	(0.47) [12,1]	
1" X 1/2" PF			(3.17) [80,6]	(2.17) [55,2]						(0.55) [13,8]	(0.92) [23,4]	(0.61) [15,5]	
1-1/2" X 1/2" PF			(3.44) [87,3]	(2.44) [61,9]						(0.77) [19,4]	(1.14) [29,0]	(0.87) [22,2]	
2" X 1/2" PF	(5.75) [146,1]	(4.51) [114,6]	(3.70) [93,9]	(2.70) [68,5]	1.88 [47,6]	1.26 [31,9]	1.63 [41,3]	0.63 [15,9]	(0.30) [7,6]	(0.94) [23,8]	(1.31) [33,3]	(1.13) [28,8]	123054
2-1/2" X 1/2" PF			(3.96) [100,5]	(2.96) [75,1]						(1.09) [27,6]	(1.46) [37,1]	(1.39) [35,4]	
3" X 1/2" PF			(4.22) [107,1]	(3.22) [81,7]						(1.25) [31,8]	(1.63) [41,3]	(1.65) [42,0]	
4" X 1/2" PF			(4.73) [120,2]	(3.73) [94,8]						(1.75) [44,5]	(2.13) [54,0]	(2.17) [55,1]	
3/4" X 3/4"	(5.75) [146,1]	(4.51) [114,6]	(3.26) [82,7]	(2.26) [57,3]	1.63 [41,3]	1.26 [31,9]	1.63 [41,3]	0.63 [15,9]	(0.30) [7,6]	(0.17) [4,3]	(0.70) [17,8]	(0.47) [11,9]	123054
1" X 3/4"			(3.39) [86,2]	(2.39) [60,8]						(0.36) [9,1]	(0.89) [22,6]	(0.60) [15,3]	
1-1/2" X 3/4"			(3.66) [93,0]	(2.66) [67,6]						(0.64) [16,3]	(1.17) [29,7]	(0.87) [22,1]	
2" X 3/4"	(6.25) [158,8]	(5.01) [127,3]	(3.92) [99,7]	(2.92) [74,3]	1.88 [47,6]	1.26 [31,9]	1.63 [41,3]	0.63 [15,9]	(0.40) [10,2]	(0.83) [21,1]	(1.36) [34,5]	(1.13) [28,8]	123054
2-1/2" X 3/4"			(4.18) [106,3]	(3.18) [80,9]						(1.00) [25,4]	(1.53) [38,9]	(1.39) [35,4]	
3" X 3/4"			(4.44) [112,9]	(3.44) [87,5]						(1.15) [29,2]	(1.68) [42,7]	(1.65) [42,0]	
4" X 3/4"			(4.95) [125,8]	(3.95) [100,4]						(1.60) [40,5]	(2.13) [54,0]	(2.16) [55,0]	
1" X 1"	(6.13) [155,6]	(5.39) [136,8]	(3.63) [92,1]	(3.26) [82,8]	1.63 [41,3]	1.26 [31,9]	1.63 [41,3]	1.26 [31,9]	(0.48) [12,1]	(0.25) [6,4]	(0.94) [23,8]	(0.63) [15,9]	123054
1-1/2" X 1"			(3.90) [99,0]	(3.53) [89,6]						(0.57) [14,5]	(1.26) [32,0]	(0.90) [22,8]	
2" X 1"			(4.16) [105,7]	(3.79) [96,3]						(0.78) [19,9]	(1.47) [37,3]	(1.16) [29,5]	
2-1/2" X 1"			(4.42) [112,3]	(4.05) [102,9]						(0.96) [24,4]	(1.65) [41,9]	(1.42) [36,1]	
3" X 1"	(7.13) [181,0]	(6.51) [165,4]	(4.68) [119,0]	(4.31) [109,6]	2.13 [54,0]	1.26 [31,9]	1.63 [41,3]	1.26 [31,9]	(0.57) [14,4]	(1.12) [28,5]	(1.81) [46,0]	(1.68) [42,8]	123054
4" X 1"			(5.19) [131,7]	(4.82) [122,3]						(1.44) [36,5]	(2.13) [54,0]	(2.16) [55,5]	
1-1/2" X 1-1/2"			(4.36) [110,8]	(3.99) [101,4]						(0.25) [6,4]	(1.25) [31,8]	(0.93) [23,5]	
2" X 1-1/2"			(4.63) [117,7]	(4.26) [108,3]						(0.58) [14,7]	(1.58) [40,1]	(1.20) [30,4]	
2-1/2" X 1-1/2"	(8.25) [209,6]	(7.51) [190,8]	(4.90) [124,4]	(4.53) [115,0]	1.88 [47,6]	1.26 [31,9]	1.63 [41,3]	1.26 [31,9]	(0.57) [14,4]	(0.82) [20,8]	(1.82) [46,2]	(1.46) [37,1]	123054
3" X 1-1/2"			(5.16) [131,1]	(4.79) [121,7]						(1.01) [25,7]	(2.01) [51,1]	(1.72) [43,8]	
4" X 1-1/2"			(5.66) [143,9]	(5.29) [134,5]						(1.34) [34,0]	(2.34) [59,4]	(2.23) [56,6]	
2" X 2"			(5.19) [131,8]	(4.57) [116,0]						(0.35) [8,9]	(1.60) [40,6]	(1.19) [30,2]	
2-1/2" X 2"	(9.25) [235,0]	(8.51) [216,2]	(5.46) [138,6]	(4.84) [122,9]	1.88 [47,6]	1.26 [31,9]	1.88 [47,6]	1.26 [31,9]	(0.57) [14,4]	(0.66) [16,8]	(1.91) [48,5]	(1.46) [37,0]	123054
3" X 2"			(5.72) [145,3]	(5.10) [129,6]						(0.90) [22,9]	(2.15) [54,6]	(1.72) [43,7]	
4" X 2"			(6.23) [158,2]	(5.61) [142,4]						(1.27) [32,3]	(2.52) [64,0]	(2.23) [56,6]	
2-1/2" X 2-1/2"			(6.58) [167,0]	(5.96) [151,3]						(0.56) [14,3]	(2.06) [52,4]	(1.64) [41,6]	
3" X 2-1/2"	(11.13) [282,6]	(9.89) [251,1]	(6.85) [174,0]	(6.23) [158,2]	1.88 [47,6]	1.26 [31,9]	1.88 [47,6]	1.26 [31,9]	(1.03) [26,3]	(0.92) [23,4]	(2.42) [61,5]	(1.91) [48,5]	123054
4" X 2-1/2"			(7.36) [187,0]	(6.74) [171,3]						(1.44) [36,5]	(2.94) [74,6]	(2.43) [61,6]	
3" X 3"			(6.85) [174,0]	(6.23) [158,2]						(0.67) [17,0]	(2.42) [61,5]	(1.91) [48,5]	
4" X 3"			(7.36) [187,0]	(6.74) [171,3]						(1.19) [30,2]	(2.94) [74,6]	(2.43) [61,6]	



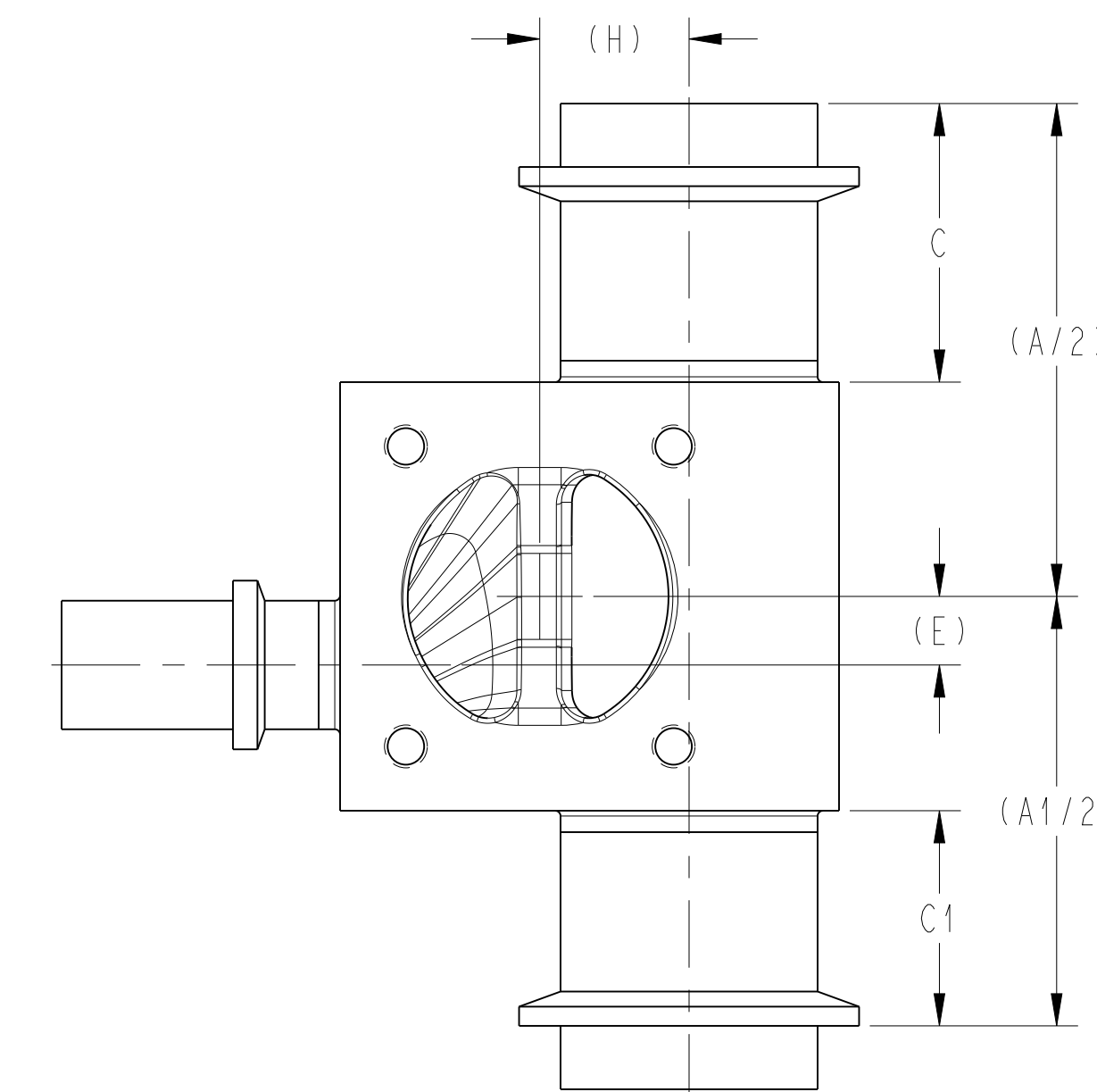
ISOMETRIC VIEWS



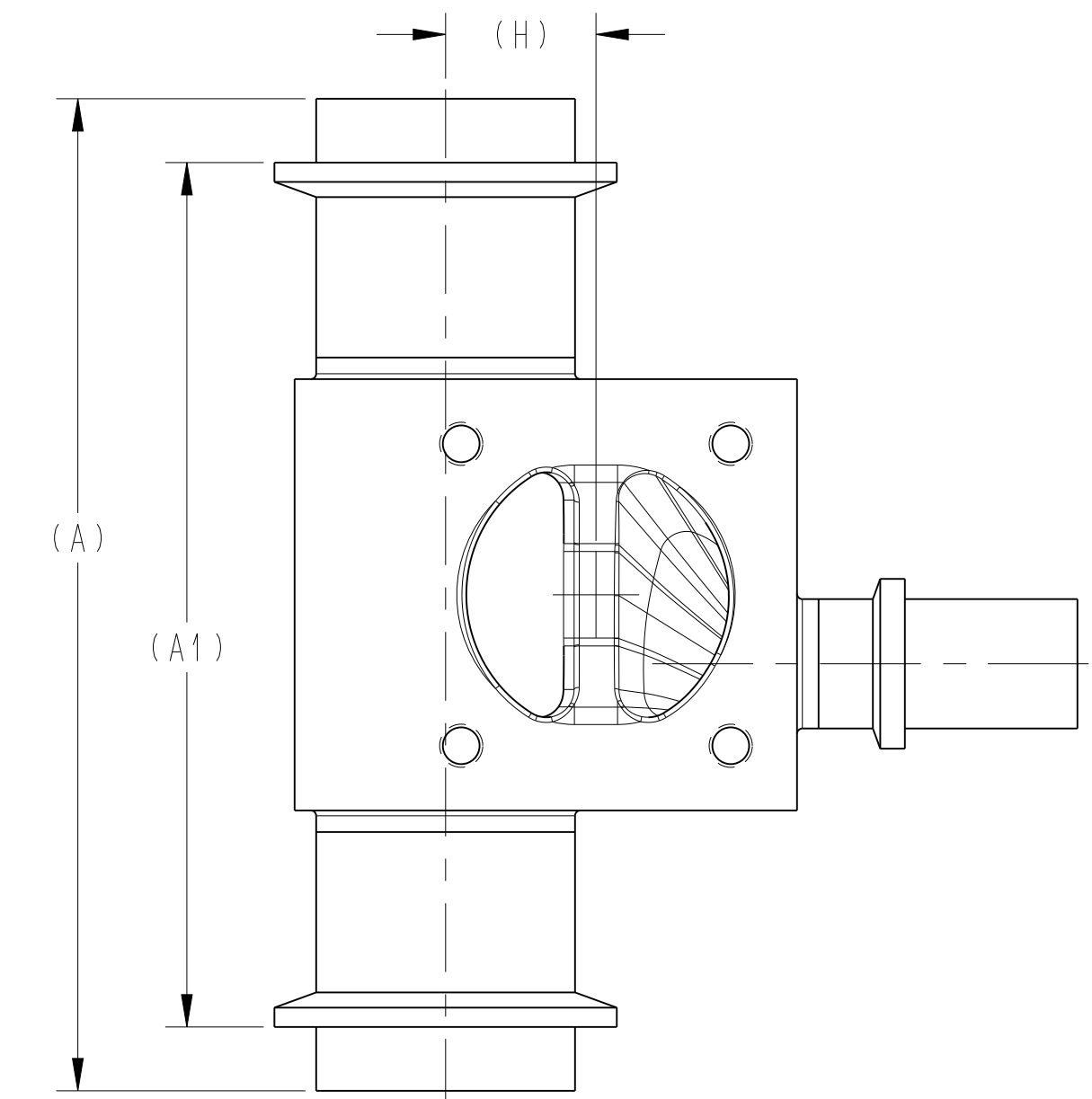
TOP VIEW LH



TOP VIEW RH



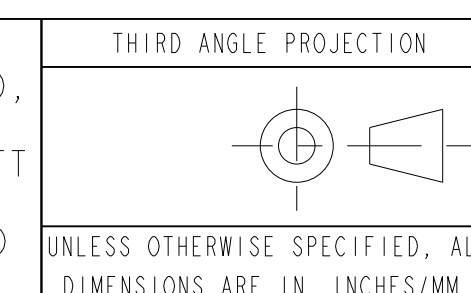
FRONT VIEW LH



FRONT VIEW RH

PURE-FLO ORDER: \_\_\_\_\_ ITEM: \_\_\_\_\_  
 CUSTOMER: - \_\_\_\_\_  
 CUSTOMER PO: - \_\_\_\_\_  
 OTHER INFO: - \_\_\_\_\_

THIS DOCUMENT IS THE SOLE PROPERTY OF ITT CORPORATION, OR ITS SUBSIDIARY, AND IS PROVIDED SUBJECT TO RETURN. IT IS ISSUED IN STRICT CONFIDENCE AND SHALL NOT BE REPRODUCED, OR COPIED, OR DISCLOSED IN WHOLE OR IN PART, OR USED AS THE BASIS FOR THE MANUFACTURE OR SALES OF APPARATUS OR PARTS TO WHICH THE DOCUMENT RELATES, WITHOUT THE EXPRESS WRITTEN CONSENT OF ITT CORPORATION, OR ITS SUBSIDIARY. THIS LEGEND SHALL BE MARKED ON ANY REPRODUCTION HEREOF, IN WHOLE OR IN PART. ALL RIGHTS TO THE INFORMATION AND DESIGN DISCLOSED HEREIN ARE RESERVED TO ITT CORPORATION, OR ITS SUBSIDIARY.



UNLESS OTHERWISE NOTED  
 INCH MM  
 X ± 0.06 X ± 1.5  
 XX ± 0.06 XX ± 1.5  
 XXX ± 0.02 XXX ± 1.5  
 XXX ± 0.02 XXX ± 1.5  
 XXX ± 0.02 XXX ± 1.5  
 XXX ± 0.02 XXX ± 1.5

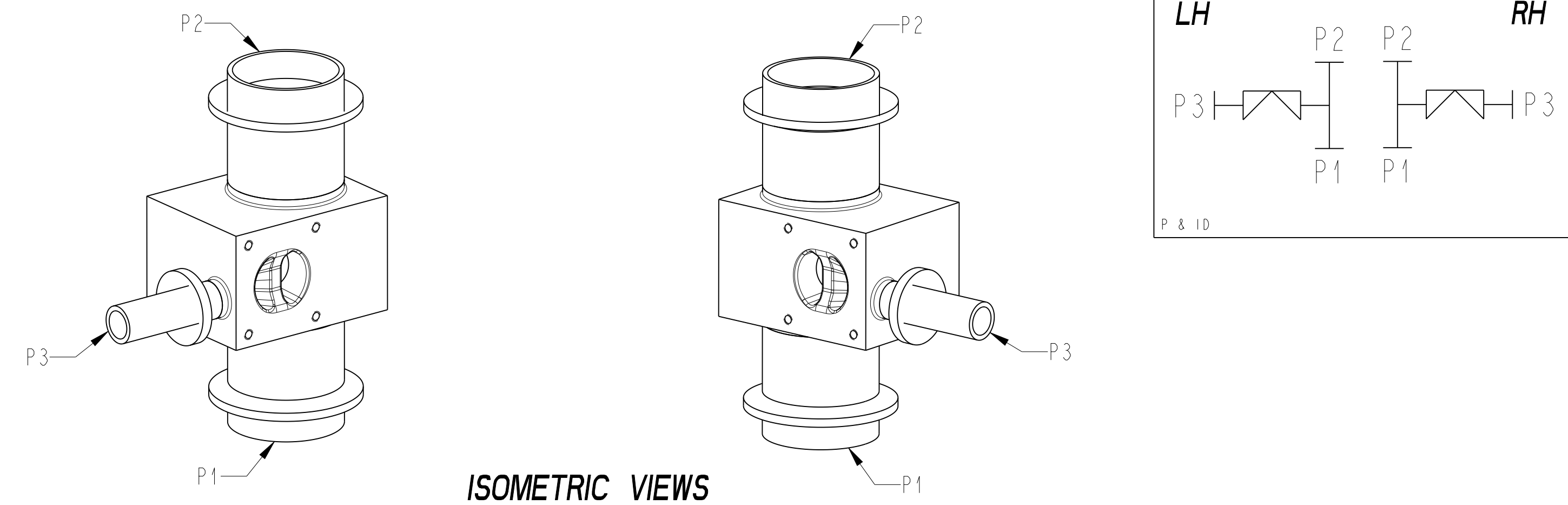
DATE	BY	ZERO STATIC OFFSET PORT VALVE ASSY.
06/03/15	LFV	
CHKD	MMA	
06/03/15		
APVD	MMA	
06/03/15		

MASTER DWG: A29211/-  
 ECN# 15293

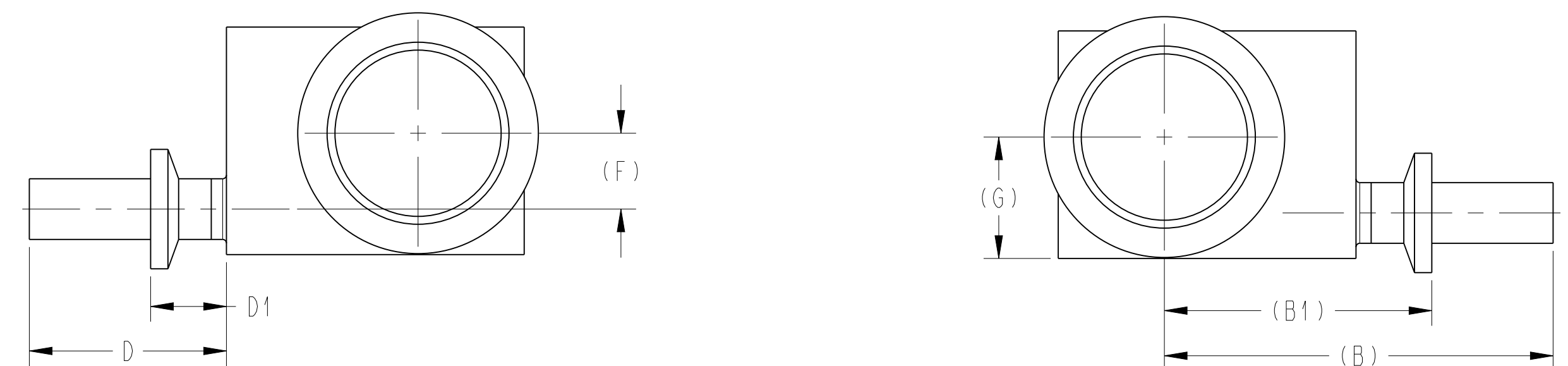
www.ittpureflo.com

D	A29211	SHEET 1 OF 3	REV -
ISSUE BY:	CERT BY:		

RUN X VALVE	(A)	(A1)	(B)	(B1)	C	C1	D	D1	(E)	(F)	(G)	(H)	BODY DWG							
1/4" X 1/4" BT	(4.81) [122,2]	(4.07) [103,4]	(2.57) [65,3]	(1.57) [39,9]	1.63 [41,3]	1.26 [31,9]	1.63 [41,3]	0.63 [15,9]	(0.27) [6,8]	(0.00) [0,0]	(0.38) [9,5]	(0.20) [5,0]	123022							
3/8" X 1/4" BT			(2.63) [66,9]	(1.63) [41,5]						(0.08) [1,9]	(0.45) [11,4]	(0.30) [7,5]								
1/2" X 1/4" BT			(2.67) [67,8]	(1.67) [42,4]						(0.29) [7,2]	(0.66) [16,8]	(0.43) [11,0]								
3/4" X 1/4" BT			(2.81) [71,3]	(1.81) [45,9]						(0.43) [10,8]	(0.80) [20,3]	(0.57) [14,4]								
1" X 1/4" BT			(2.94) [74,7]	(1.94) [49,3]						(0.63) [15,9]	(1.00) [25,4]	(0.83) [21,1]								
1-1/2" X 1/4" BT			(3.20) [81,4]	(2.20) [56,0]						(0.79) [19,9]	(1.16) [29,5]	(1.09) [27,7]								
2" X 1/4" BT			(3.47) [88,0]	(2.47) [62,6]						(1.00) [25,4]	(1.38) [34,9]	(1.35) [34,4]								
2-1/2" X 1/4" BT			(3.73) [94,7]	(2.73) [69,3]						(1.25) [31,8]	(1.63) [41,3]	(1.62) [41,1]								
3" X 1/4" BT			(3.99) [101,5]	(2.99) [76,1]						(1.75) [44,5]	(2.13) [54,0]	(2.13) [54,2]								
4" X 1/4" BT	(5.81) [147,6]	(4.51) [114,5]	(3.51) [89,1]	2.13 [54,0]																
3/8" X 3/8" BT	(4.81) [122,2]	(4.07) [103,4]	(2.63) [66,9]	(1.63) [41,5]	1.63 [41,3]	1.26 [31,9]	1.63 [41,3]	0.63 [15,9]	(0.21) [5,2]	(0.00) [0,0]	(0.38) [9,5]	(0.26) [6,6]	123022							
1/2" X 3/8" BT			(2.67) [67,8]	(1.67) [42,4]						(0.08) [1,9]	(0.45) [11,4]	(0.30) [7,5]								
3/4" X 3/8" BT			(2.81) [71,3]	(1.81) [45,9]						(0.29) [7,2]	(0.66) [16,8]	(0.43) [11,0]								
1" X 3/8" BT			(2.94) [74,7]	(1.94) [49,3]						(0.43) [10,8]	(0.80) [20,3]	(0.57) [14,4]								
1-1/2" X 3/8" BT			(3.20) [81,4]	(2.20) [56,0]						(0.63) [15,9]	(1.00) [25,4]	(0.83) [21,1]								
2" X 3/8" BT			(3.47) [88,0]	(2.47) [62,6]						(0.79) [19,9]	(1.16) [29,5]	(1.09) [27,7]								
2-1/2" X 3/8" BT			(3.73) [94,7]	(2.73) [69,3]						(1.00) [25,4]	(1.38) [34,9]	(1.35) [34,4]								
3" X 3/8" BT			(3.99) [101,5]	(2.99) [76,1]						(1.25) [31,8]	(1.63) [41,3]	(1.62) [41,1]								
4" X 3/8" BT			(5.81) [147,6]	(4.51) [114,5]						(3.51) [89,1]	2.13 [54,0]									
1/2" X 1/2" BT	(4.81) [122,2]	(4.07) [103,4]	(2.67) [67,8]	(1.67) [42,4]	1.63 [41,3]	1.26 [31,9]	1.63 [41,3]	0.63 [15,9]	(0.17) [4,4]	(0.08) [1,9]	(0.45) [11,4]	(0.30) [7,5]	123022							
3/4" X 1/2" BT			(2.81) [71,3]	(1.81) [45,9]						(0.29) [7,2]	(0.66) [16,8]	(0.43) [11,0]								
1" X 1/2" BT			(2.94) [74,7]	(1.94) [49,3]						(0.43) [10,8]	(0.80) [20,3]	(0.57) [14,4]								
1-1/2" X 1/2" BT			(3.20) [81,4]	(2.20) [56,0]						(0.63) [15,9]	(1.00) [25,4]	(0.83) [21,1]								
2" X 1/2" BT			(3.47) [88,0]	(2.47) [62,6]						(0.79) [19,9]	(1.16) [29,5]	(1.09) [27,7]								
2-1/2" X 1/2" BT			(3.73) [94,7]	(2.73) [69,3]						(1.00) [25,4]	(1.38) [34,9]	(1.35) [34,4]								
3" X 1/2" BT			(3.99) [101,5]	(2.99) [76,1]						(1.25) [31,8]	(1.63) [41,3]	(1.62) [41,1]								
4" X 1/2" BT			(5.81) [147,6]	(4.51) [114,5]						(3.51) [89,1]	2.13 [54,0]									

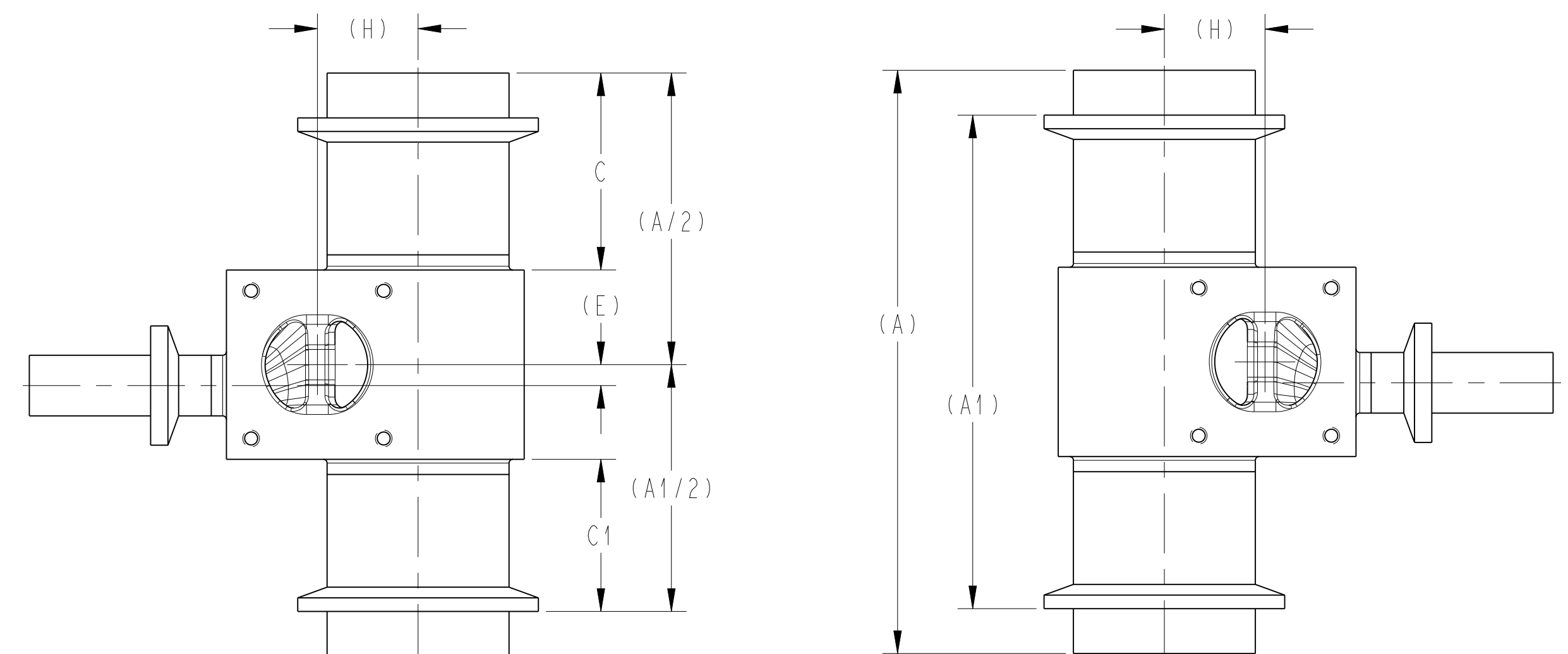


ISOMETRIC VIEWS



TOP VIEW LH

TOP VIEW RH



FRONT VIEW LH

FRONT VIEW RH

PURE-FLO ORDER: \_\_\_\_\_ ITEM: \_\_\_\_\_  
 CUSTOMER: \_\_\_\_\_  
 CUSTOMER PO: \_\_\_\_\_  
 OTHER INFO: \_\_\_\_\_

THIS DOCUMENT IS THE SOLE PROPERTY OF ITT CORPORATION, OR ITS SUBSIDIARY, AND IS PROVIDED SUBJECT TO RETURN. IT IS ISSUED IN STRICT CONFIDENCE AND SHALL NOT BE REPRODUCED, OR COPIED, OR DISCLOSED IN WHOLE OR IN PART, OR USED AS THE BASIS FOR THE MANUFACTURE OR SALES OF APPARATUS OR PARTS TO WHICH THE DOCUMENT RELATES, WITHOUT THE EXPRESS WRITTEN CONSENT OF ITT CORPORATION, OR ITS SUBSIDIARY. THIS LEGEND SHALL BE MARKED ON ANY REPRODUCTION HEREOF, IN WHOLE OR IN PART. ALL RIGHTS TO THE INFORMATION AND DESIGN DISCLOSED HEREIN ARE RESERVED TO ITT CORPORATION, OR ITS SUBSIDIARY.

THIRD ANGLE PROJECTION  
  
 UNLESS OTHERWISE SPECIFIED, ALL DIMENSIONS ARE IN INCHES/MM

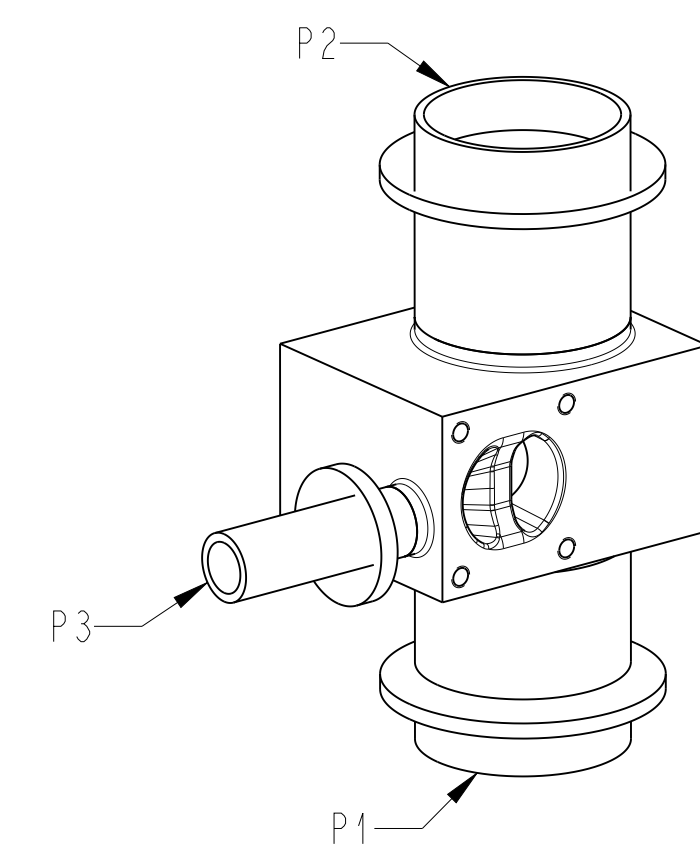
UNLESS OTHERWISE NOTED  
 INCH MM  
 .X ± 0.06 X ± 1.5  
 .XX ± 0.06 XX ± 1.5  
 .XXX ± 0.02 .XX ± 1.5  
 X ± 1.5 X ± 1.5  
 X ± 1.5 X ± 1.5

DATE	BY
06/03/15	LFV
CHKD	MMA
06/03/15	
APVD	MMA
06/03/15	

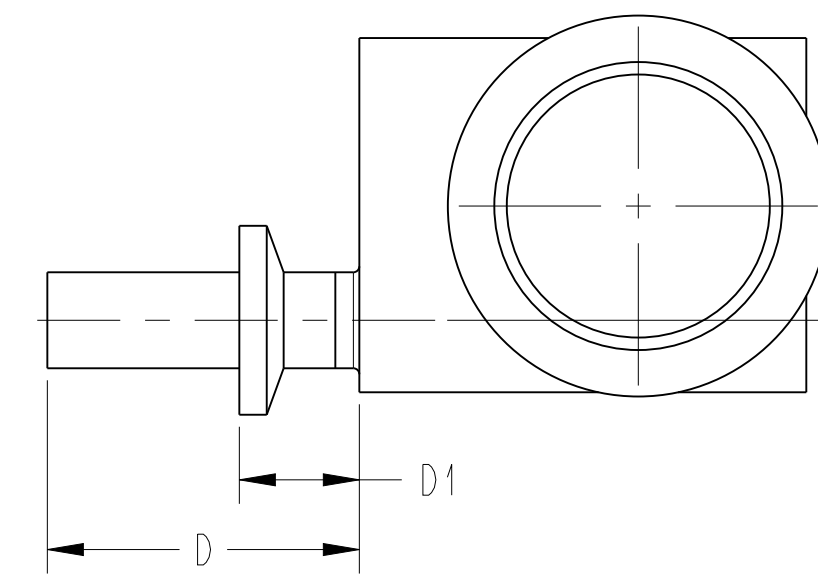
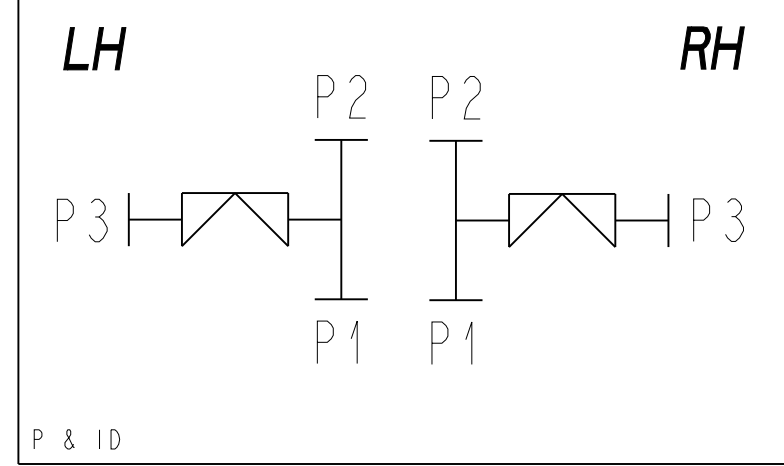
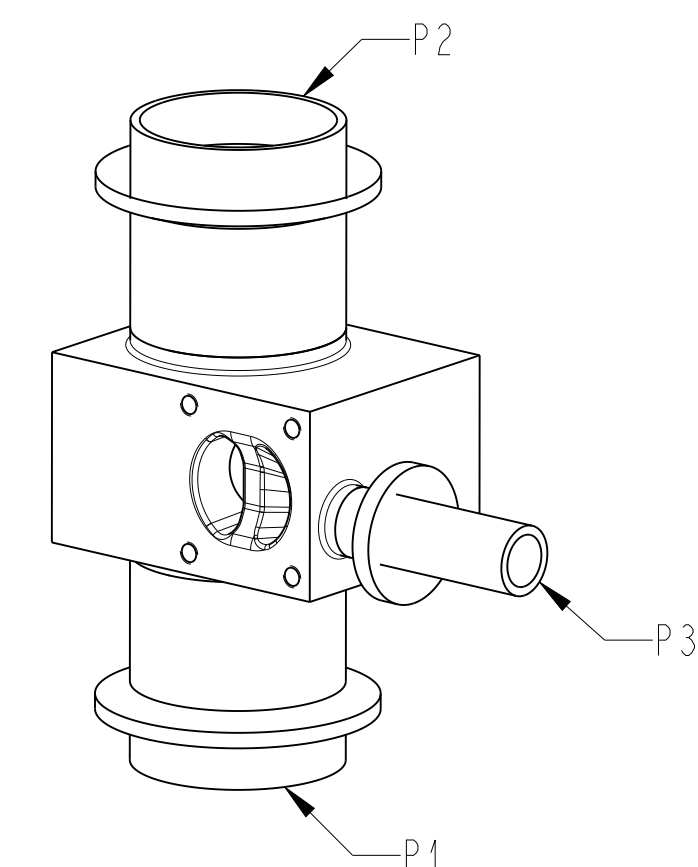
ZERO STATIC OFFSET PORT VALVE ASSY.  
 MASTER DWG: A29211/-  
 ECN# 15293

ITT  
 www.ittpureflo.com  
 SHEET 2 OF 3  
 REV -  
 D A29211  
 ISSUE BY: \_\_\_\_\_ CERT BY: \_\_\_\_\_

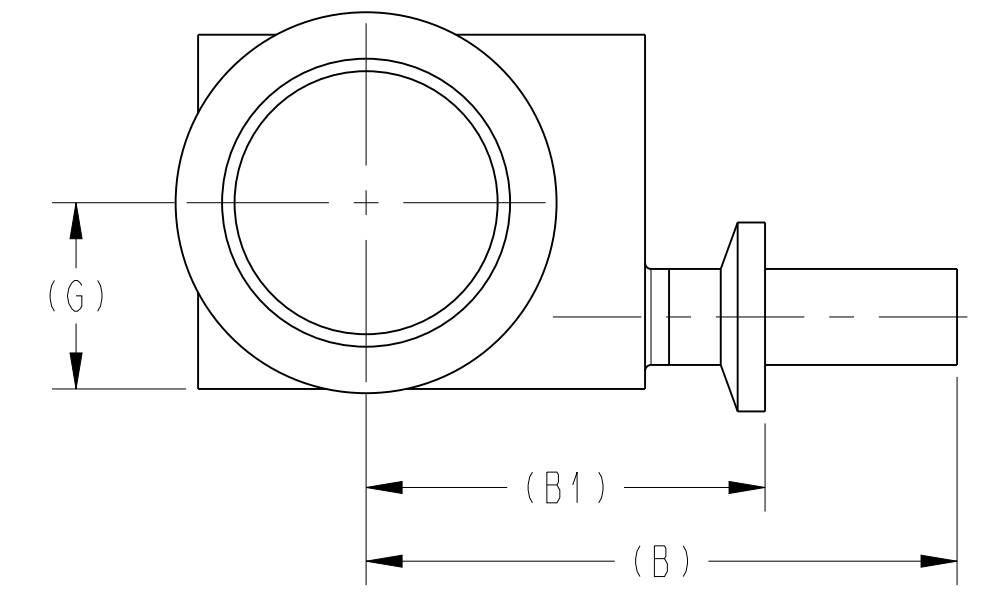
RUN X VALVE	(A)	(A1)	(B)	(B1)	C	C1	D	D1	(E)	(F)	(G)	(H)	BODY DWG
1/4" X 1/4" BP	(4.63) [117,5]	(3.89) [98,7]	(2.45) [62,1]	(1.45) [36,7]	1.63 [41,3]	1.26 [31,9]	1.63 [41,3]	0.63 [15,9]	(0.27) [6,8]	(0.00) [0,0]	(0.38) [9,5]	(0.20) [5,0]	123022
3/8" X 1/4" BP			(2.51) [63,8]	(1.51) [38,4]						(0.09) [2,2]	(0.46) [11,7]	(0.26) [6,7]	
1/2" X 1/4" BP			(2.55) [64,7]	(1.55) [39,3]						(0.14) [3,4]	(0.51) [13,0]	(0.30) [7,6]	
3/4" X 1/4" BP			(2.68) [68,2]	(1.68) [42,8]						(0.31) [7,7]	(0.68) [17,3]	(0.43) [11,0]	
1" X 1/4" BP			(2.82) [71,6]	(1.82) [46,2]						(0.43) [10,8]	(0.80) [20,3]	(0.57) [14,4]	
1-1/2" X 1/4" BP			(3.08) [78,2]	(2.08) [52,8]						(0.60) [15,1]	(0.97) [24,6]	(0.83) [21,0]	
2" X 1/4" BP			(3.34) [84,8]	(2.34) [59,4]						(0.75) [18,9]	(1.12) [28,4]	(1.09) [27,6]	
2-1/2" X 1/4" BP			(3.60) [91,5]	(2.60) [66,1]						(1.00) [25,4]	(1.38) [34,9]	(1.35) [34,4]	
3" X 1/4" BP			(3.87) [98,3]	(2.87) [72,9]						(1.25) [31,8]	(1.63) [41,3]	(1.62) [41,1]	
4" X 1/4" BP	(5.63) [142,9]	(4.38) [111,3]	(3.38) [85,9]	(2.13) [54,0]	(2.13) [54,2]								
3/8" X 3/8" BP	(4.63) [117,5]	(3.89) [98,7]	(2.51) [63,8]	(1.51) [38,4]	1.63 [41,3]	1.26 [31,9]	1.63 [41,3]	0.63 [15,9]	(0.21) [5,2]	(0.08) [1,9]	(0.45) [11,4]	(0.26) [6,7]	123022
1/2" X 3/8" BP			(2.55) [64,7]	(1.55) [39,3]						(0.14) [3,4]	(0.51) [13,0]	(0.30) [7,6]	
3/4" X 3/8" BP			(2.68) [68,2]	(1.68) [42,8]						(0.31) [7,7]	(0.68) [17,3]	(0.43) [11,0]	
1" X 3/8" BP			(2.82) [71,6]	(1.82) [46,2]						(0.43) [10,8]	(0.80) [20,3]	(0.57) [14,4]	
1-1/2" X 3/8" BP			(3.08) [78,2]	(2.08) [52,8]						(0.60) [15,1]	(0.97) [24,6]	(0.83) [21,0]	
2" X 3/8" BP			(3.34) [84,8]	(2.34) [59,4]						(0.75) [18,9]	(1.13) [28,6]	(1.09) [27,6]	
2-1/2" X 3/8" BP			(3.60) [91,5]	(2.60) [66,1]						(1.00) [25,4]	(1.38) [34,9]	(1.35) [34,4]	
3" X 3/8" BP			(3.87) [98,3]	(2.87) [72,9]						(1.25) [31,8]	(1.63) [41,3]	(1.62) [41,1]	
4" X 3/8" BP			(5.63) [142,9]	(4.38) [111,3]						(3.38) [85,9]	(2.13) [54,0]	(2.13) [54,2]	
1/2" X 1/2" BP	(4.63) [117,5]	(3.89) [98,7]	(2.55) [64,7]	(1.55) [39,3]	1.63 [41,3]	1.26 [31,9]	1.63 [41,3]	0.63 [15,9]	(0.17) [4,4]	(0.14) [3,4]	(0.51) [13,0]	(0.30) [7,6]	123022
3/4" X 1/2" BP			(2.68) [68,2]	(1.68) [42,8]						(0.31) [7,7]	(0.68) [17,3]	(0.43) [11,0]	
1" X 1/2" BP			(2.82) [71,6]	(1.82) [46,2]						(0.43) [10,8]	(0.80) [20,3]	(0.57) [14,4]	
1-1/2" X 1/2" BP			(3.08) [78,2]	(2.08) [52,8]						(0.60) [15,1]	(0.97) [24,6]	(0.83) [21,0]	
2" X 1/2" BP			(3.34) [84,8]	(2.34) [59,4]						(0.75) [18,9]	(1.12) [28,4]	(1.09) [27,6]	
2-1/2" X 1/2" BP			(3.60) [91,5]	(2.60) [66,1]						(1.00) [25,4]	(1.38) [34,9]	(1.35) [34,4]	
3" X 1/2" BP			(3.87) [98,3]	(2.87) [72,9]						(1.25) [31,8]	(1.63) [41,3]	(1.62) [41,1]	
4" X 1/2" BP			(5.63) [142,9]	(4.38) [111,3]						(3.38) [85,9]	(2.13) [54,0]	(2.13) [54,2]	



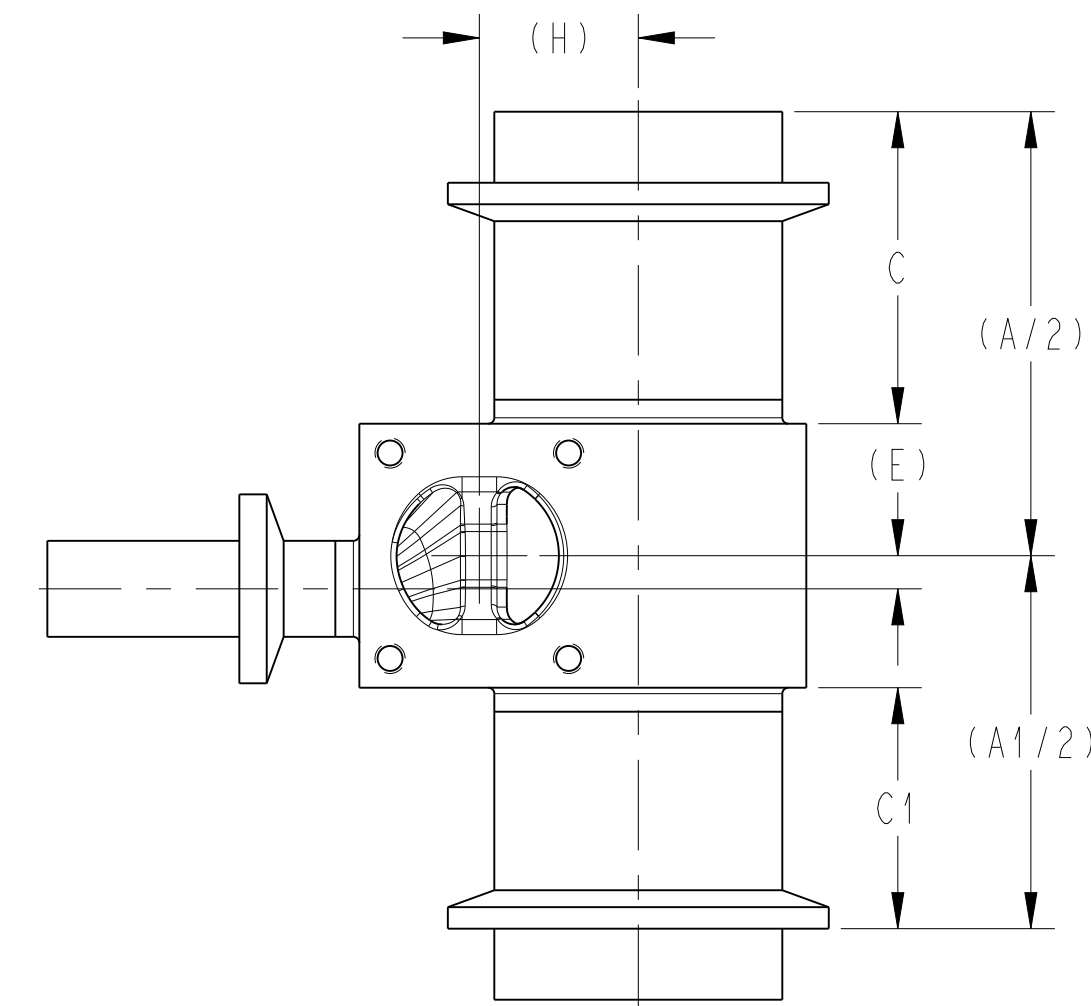
ISOMETRIC VIEWS



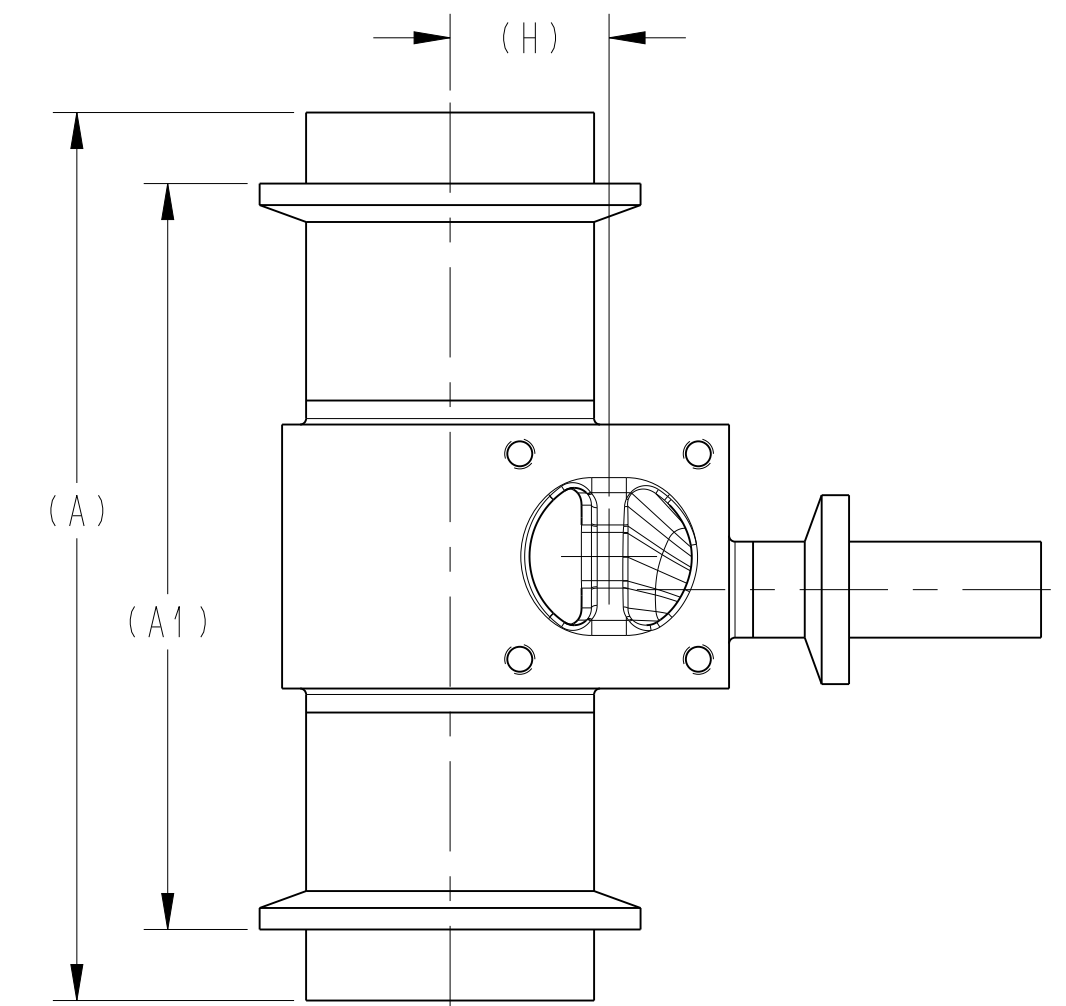
TOP VIEW LH



TOP VIEW RH



FRONT VIEW LH



FRONT VIEW RH

PURE-FLO ORDER: - ITEM: -  
 CUSTOMER: -  
 CUSTOMER PO: -  
 OTHER INFO: -

THIS DOCUMENT IS THE SOLE PROPERTY OF ITT CORPORATION, OR ITS SUBSIDIARY, AND IS PROVIDED SUBJECT TO RETURN. IT IS ISSUED IN STRICT CONFIDENCE AND SHALL NOT BE REPRODUCED, OR COPIED, OR DISCLOSED IN WHOLE OR IN PART, OR USED AS THE BASIS FOR THE MANUFACTURE OR SALES OF APPARATUS OR PARTS TO WHICH THE DOCUMENT RELATES, WITHOUT THE EXPRESS WRITTEN CONSENT OF ITT CORPORATION, OR ITS SUBSIDIARY. THIS LEGEND SHALL BE MARKED ON ANY REPRODUCTION HEREOF, IN WHOLE OR IN PART. ALL RIGHTS TO THE INFORMATION AND DESIGN DISCLOSED HEREIN ARE RESERVED TO ITT CORPORATION, OR ITS SUBSIDIARY.

THIRD ANGLE PROJECTION  
  
 UNLESS OTHERWISE SPECIFIED, ALL DIMENSIONS ARE IN INCHES/MM

UNLESS OTHERWISE NOTED  
 INCH MM  
 .X ± .06 X ± 1.5  
 .XX ± .06 XX ± 1.5  
 .XXX ± .02 .XX ± 1.5  
 .X ± 1.5 X ± 1.5  
 .X ± 1.5 X ± 1.5

DATE BY  
 DWN 06/03/15 LJV  
 CHKD 06/03/15 MMA  
 APVD 06/03/15 MMA

ZERO STATIC OFFSET PORT VALVE ASSY.  
 MASTER DWG: A29211/- ECN# 15293

ITT  
 www.ittpureflo.com  
 SHEET 3 OF 3  
 REV -  
 D A29211  
 ISSUE BY: - CERT BY: -