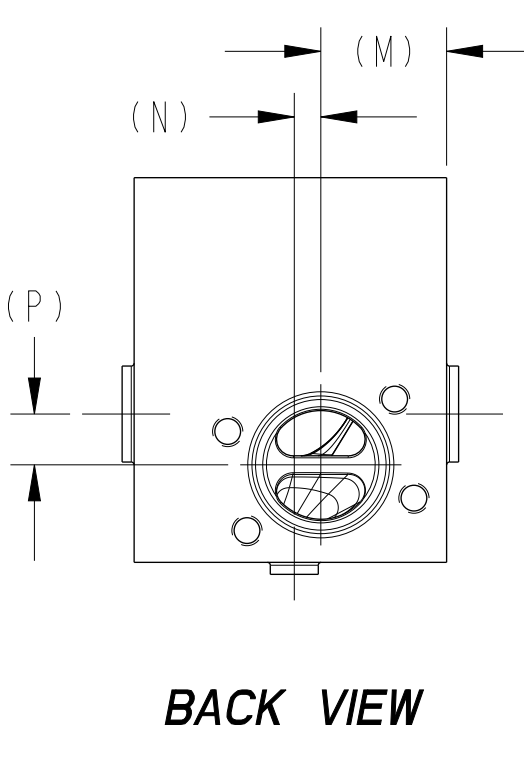
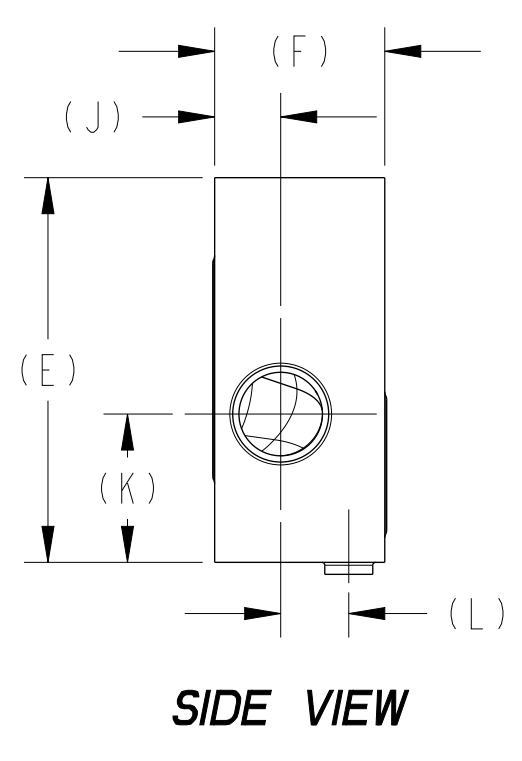
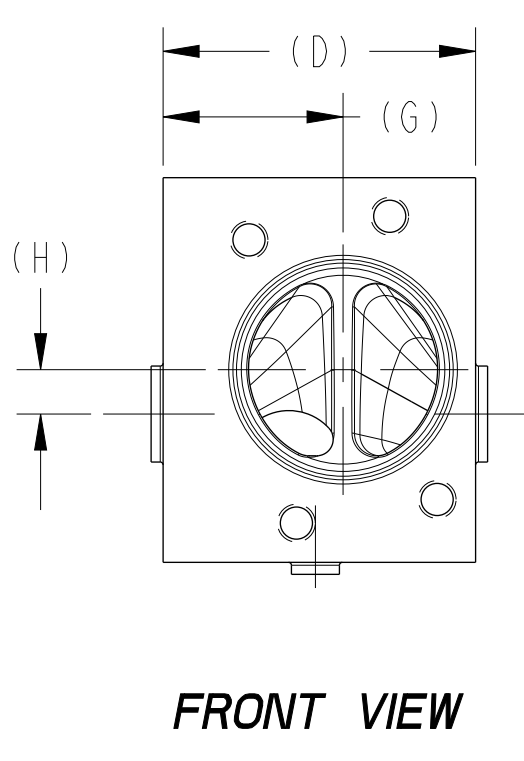
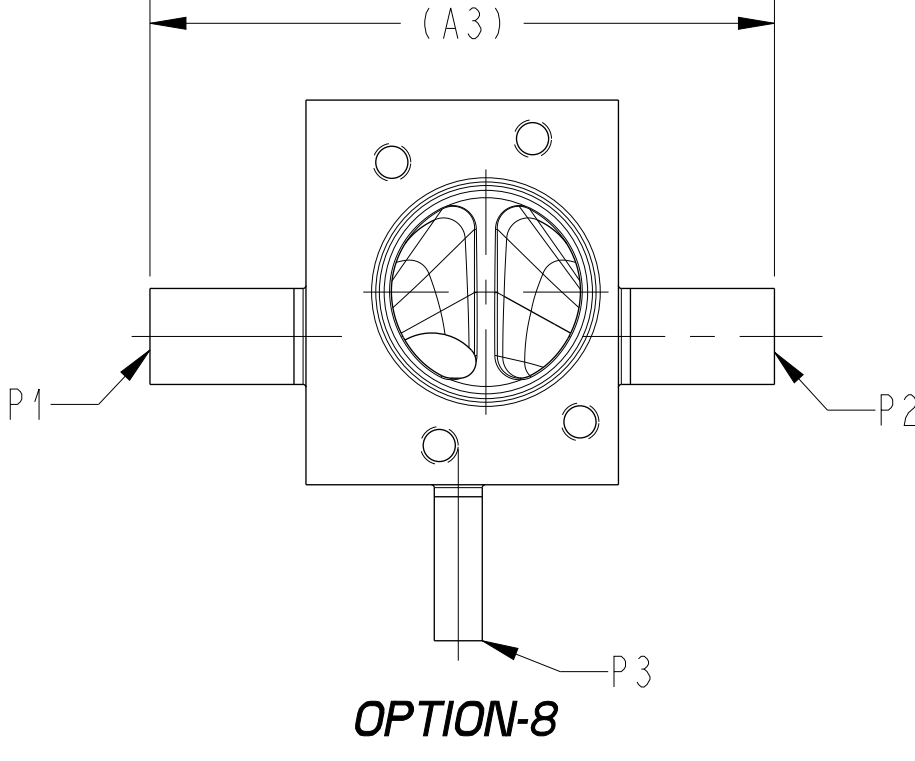
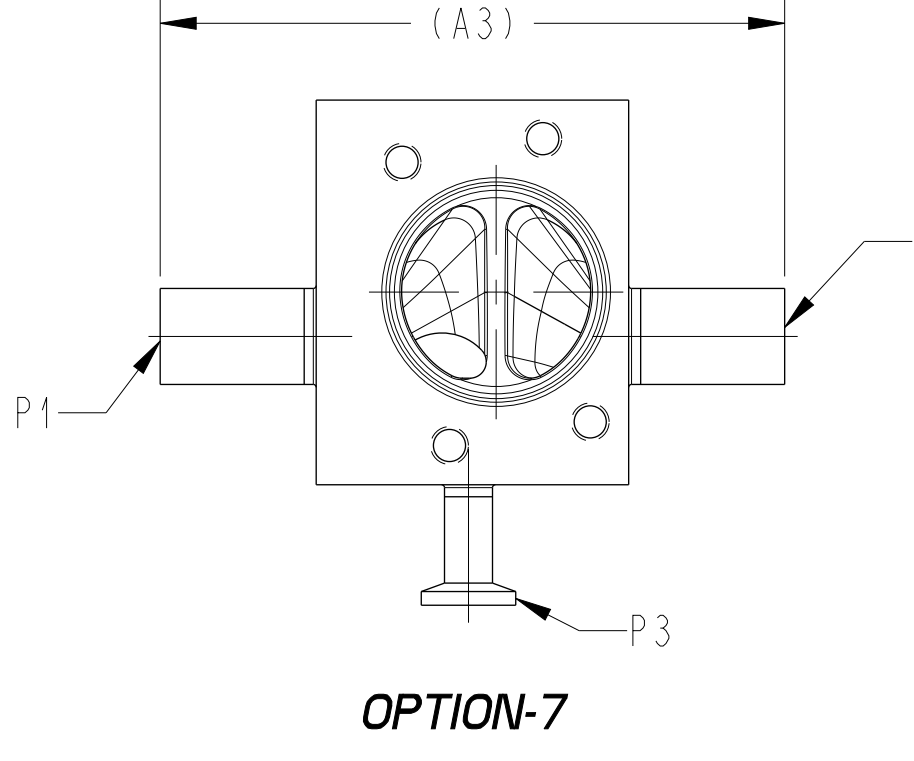
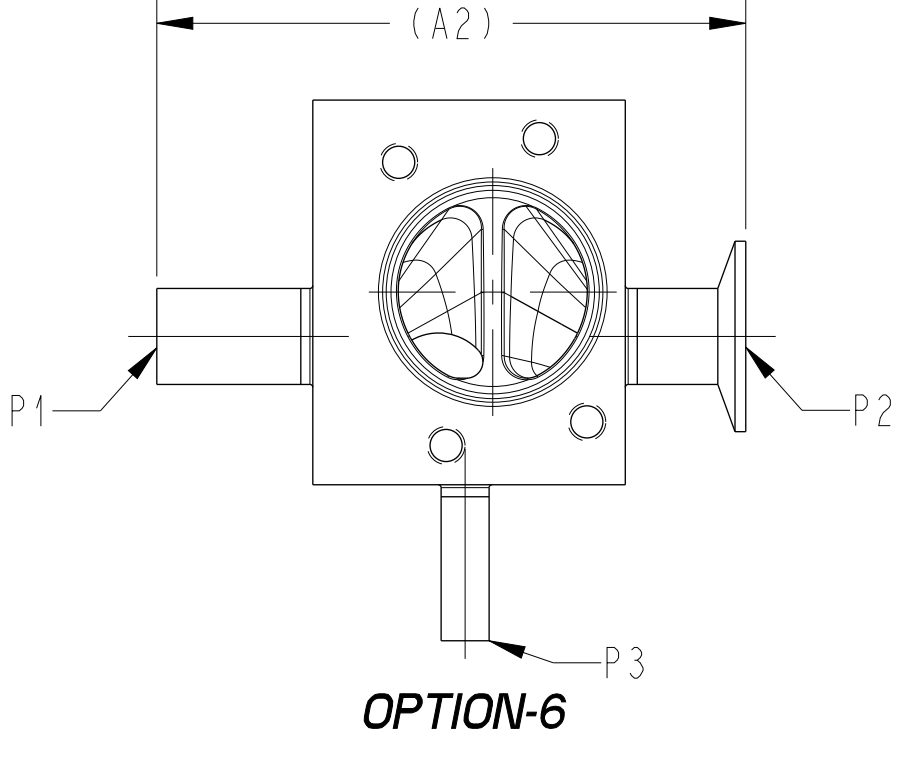
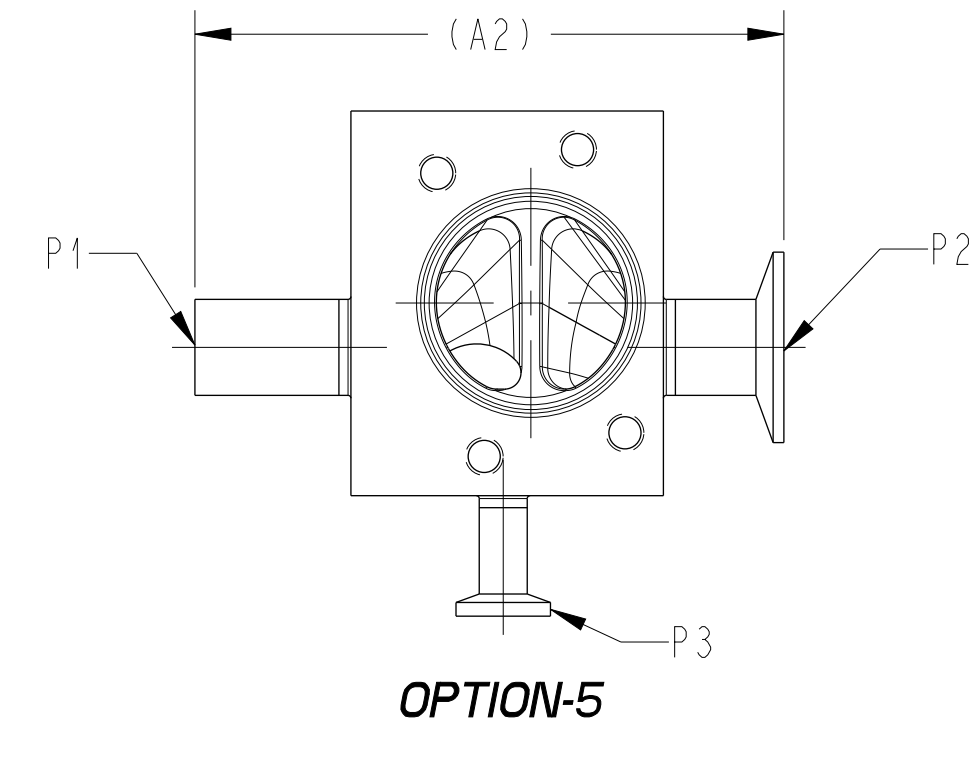
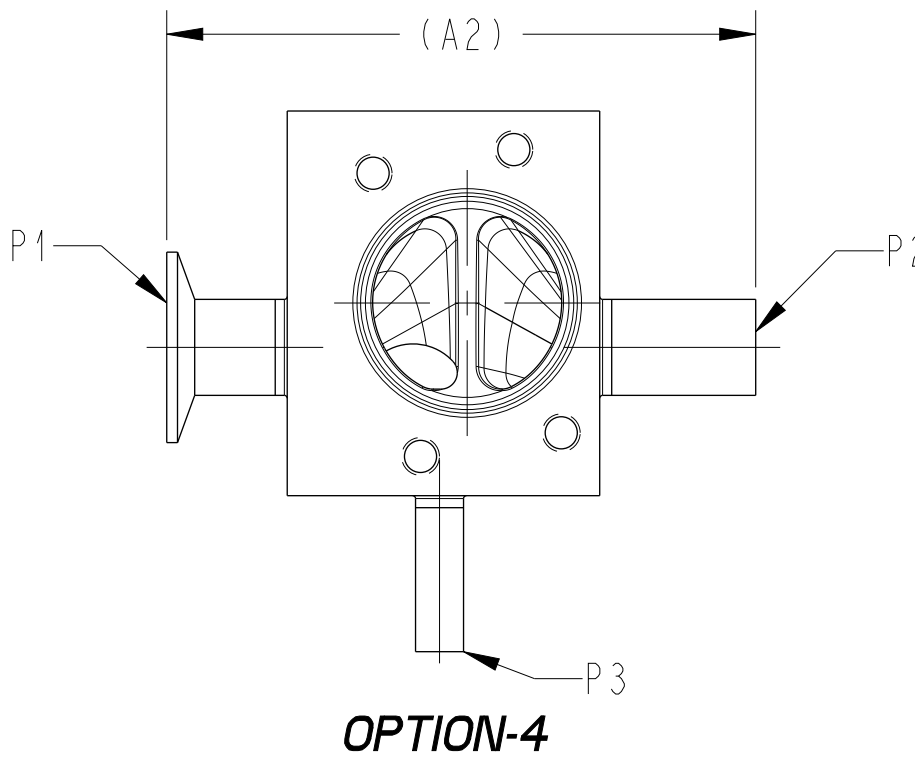
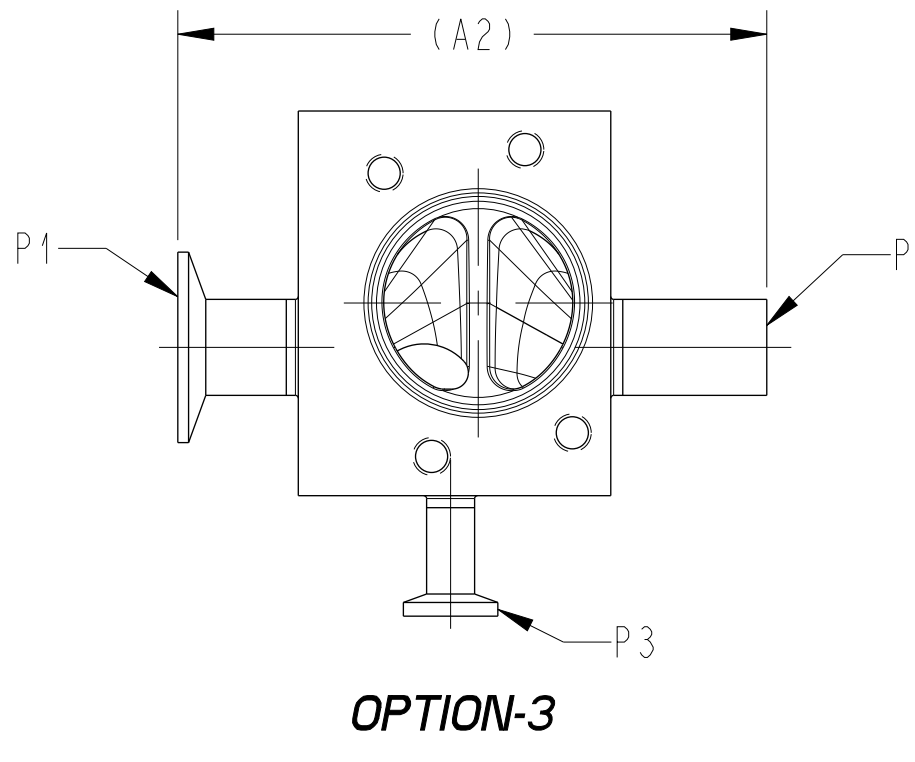
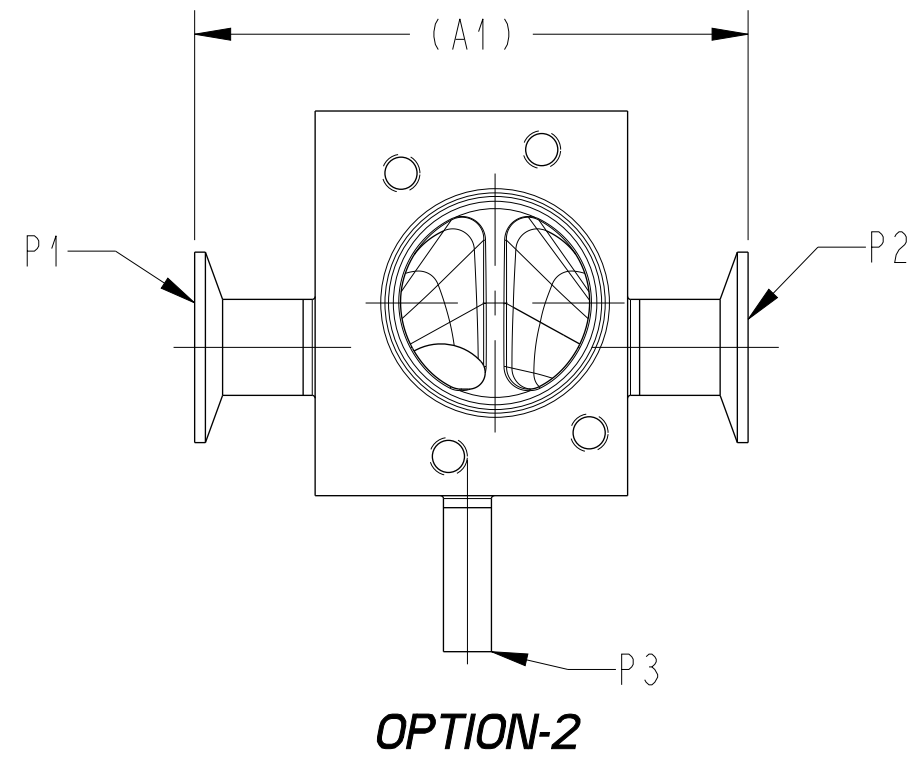
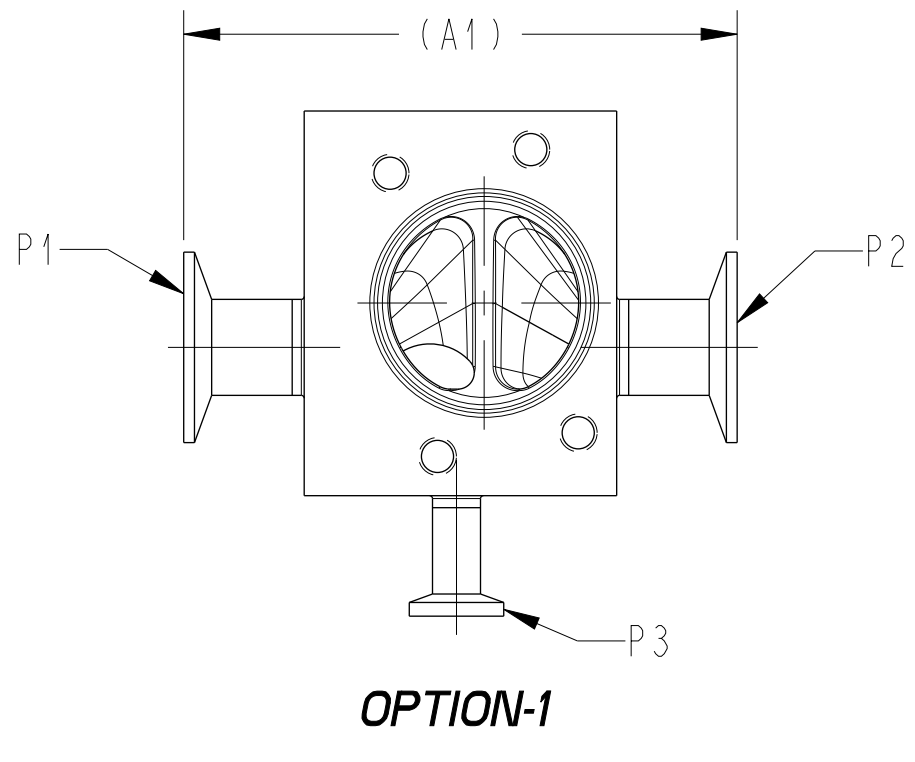
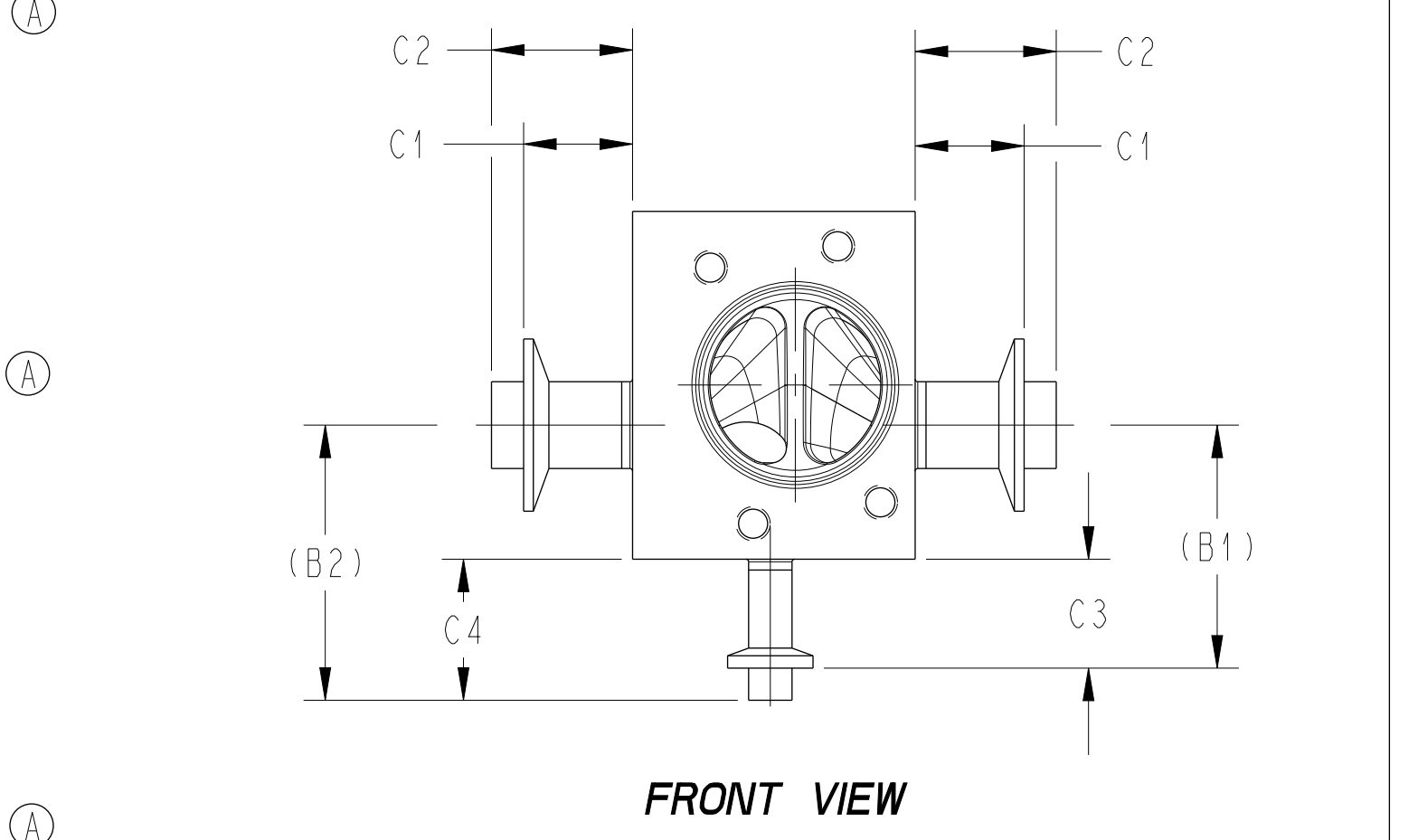
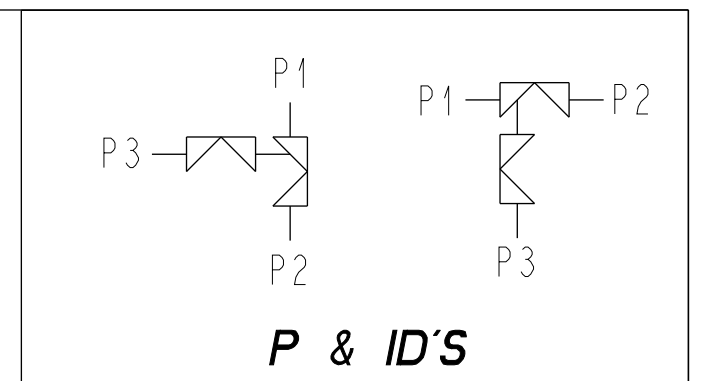


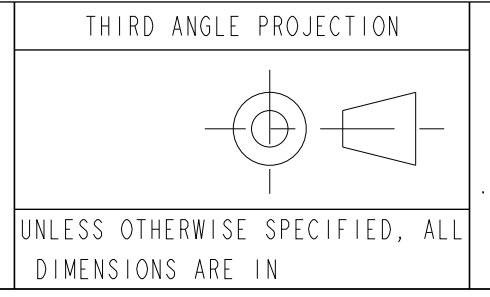
MAIN X PURGE	(A1)	(A2)	(A3)	(B1)	(B2)	C1	C2	C3	C4	(D)	(E)	(F)	(G)	(H)	(J)	(K)	(L)	(M)	(N)	(P)	BODY DWG
1/2" X 1/2"	(5.37) [136,5]	(5.74) [145,9]	(6.11) [155,3]	(2.55) [64,7]	(2.92) [74,1]	1.26 [31,9]	1.63 [41,3]	1.26 [31,9]	1.63 [41,3]	(2.86) [72,7]	(2.87) [72,9]	(1.25) [31,8]	(1.85) [47,0]	(0.28) [7,0]	(0.38) [9,5]	(1.29) [32,8]	(0.50) [12,7]	(1.30) [33,0]	(0.28) [7,0]	(0.28) [7,0]	123626
3/4"R X 1/2"	(5.37) [136,5]	(5.74) [145,9]	(6.11) [155,3]	(2.67) [67,9]	(3.04) [77,3]	(1.26) [31,9]	(1.63) [41,3]	(1.26) [31,9]	(1.63) [41,3]	(2.86) [72,7]	(2.87) [72,9]	(1.51) [38,4]	(1.85) [47,0]	(0.15) [3,8]	(0.53) [13,5]	(1.42) [36,0]	(0.61) [15,4]	(1.30) [33,0]	(0.28) [7,0]	(0.40) [10,3]	123951
3/4"R X 3/4"R	(5.37) [136,5]	(5.74) [145,9]	(6.11) [155,3]	(2.67) [67,9]	(3.04) [77,3]	(1.26) [31,9]	(1.63) [41,3]	(1.26) [31,9]	(1.63) [41,3]	(2.86) [72,7]	(2.87) [72,9]	(1.51) [38,4]	(1.85) [47,0]	(0.15) [3,8]	(0.53) [13,5]	(1.42) [36,0]	(0.45) [11,4]	(1.30) [33,0]	(0.15) [3,8]	(0.40) [10,3]	123951
3/4" X 1/2"	(5.77) [146,4]	(6.14) [155,8]	(6.51) [165,2]	(2.67) [67,9]	(3.04) [77,3]	1.26 [31,9]	1.63 [41,3]	1.26 [31,9]	1.63 [41,3]	(3.26) [82,7]	(4.01) [101,8]	(1.62) [41,3]	(1.88) [47,6]	(0.59) [14,9]	(0.53) [13,5]	(1.42) [36,0]	(0.61) [15,6]	(1.31) [33,3]	(0.28) [7,0]	(0.40) [10,3]	123559
3/4" X 3/4"R	(5.76) [146,2]	(6.13) [155,6]	(6.50) [165,0]	(2.67) [67,9]	(3.04) [77,3]	(1.26) [31,9]	(1.63) [41,3]	(1.26) [31,9]	(1.63) [41,3]	(3.25) [82,4]	(4.01) [101,8]	(1.61) [40,9]	(1.87) [47,4]	(0.59) [14,9]	(0.53) [13,5]	(1.42) [36,0]	(0.55) [13,9]	(1.30) [33,0]	(0.15) [3,8]	(0.40) [10,3]	123951
3/4" X 3/4"	(6.89) [175,0]	(7.26) [184,4]	(7.63) [193,8]	(3.06) [77,8]	(3.43) [87,2]	1.26 [31,9]	1.63 [41,3]	1.26 [31,9]	1.63 [41,3]	(4.38) [111,3]	(4.39) [111,6]	(4.13) [104,3]	(4.38) [111,3]	(3.00) [76,2]	(0.59) [14,9]	(0.53) [13,5]	(1.81) [45,9]	(2.01) [51,0]	(0.59) [14,9]	(0.42) [10,7]	123562
1" X 1/2"	(5.77) [146,4]	(6.14) [155,8]	(6.51) [165,2]	(2.80) [71,1]	(3.17) [80,5]	1.26 [31,9]	1.63 [41,3]	1.26 [31,9]	1.63 [41,3]	(3.26) [82,7]	(4.01) [101,8]	(1.77) [45,0]	(1.87) [47,6]	(0.46) [11,7]	(0.69) [17,5]	(1.54) [39,2]	(0.71) [18,0]	(1.31) [33,3]	(0.28) [7,0]	(0.53) [13,4]	123627
1" X 3/4"R	(5.76) [146,2]	(6.13) [155,6]	(6.50) [165,0]	(2.80) [71,1]	(3.17) [80,5]	(1.26) [31,9]	(1.63) [41,3]	(1.26) [31,9]	(1.63) [41,3]	(3.25) [82,4]	(4.01) [101,8]	(1.77) [45,0]	(1.87) [47,4]	(0.46) [11,7]	(0.69) [17,5]	(1.54) [39,2]	(0.55) [14,0]	(1.30) [33,0]	(0.15) [3,8]	(0.53) [13,4]	123951
1" X 3/4"	(6.89) [175,0]	(7.26) [184,4]	(7.63) [193,8]	(3.18) [80,8]	(3.55) [90,2]	1.26 [31,9]	1.63 [41,3]	1.26 [31,9]	1.63 [41,3]	(4.38) [111,3]	(4.39) [111,4]	(1.91) [48,5]	(3.00) [76,2]	(0.46) [11,7]	(0.69) [17,5]	(1.92) [48,9]	(0.69) [17,5]	(2.01) [51,0]	(0.59) [14,9]	(0.54) [13,8]	123628
1" X 1"	(6.89) [175,0]	(7.26) [184,4]	(7.63) [193,8]	(3.18) [80,8]	(3.55) [90,2]	1.26 [31,9]	1.63 [41,3]	1.26 [31,9]	1.63 [41,3]	(4.38) [111,3]	(4.39) [111,4]	(1.91) [48,5]	(3.00) [76,2]	(0.46) [11,7]	(0.69) [17,5]	(1.92) [48,9]	(0.53) [13,5]	(2.01) [51,0]	(0.46) [11,7]	(0.54) [13,8]	123549
1-1/2" X 1/2"	(6.42) [162,9]	(6.79) [172,3]	(7.16) [181,7]	(3.42) [87,0]	(3.79) [96,4]	1.26 [31,9]	1.63 [41,3]	1.26 [31,9]	1.63 [41,3]	(3.91) [99,2]	(5.38) [136,7]	(2.35) [59,7]	(1.96) [49,7]	(0.53) [13,3]	(1.00) [25,4]	(2.17) [55,1]	(0.98) [24,8]	(1.37) [34,8]	(0.28) [7,0]	(0.78) [19,8]	123629
1-1/2" X 3/4"R	(6.41) [162,8]	(6.78) [172,2]	(7.15) [181,6]	(3.42) [86,9]	(3.79) [96,3]	(1.26) [31,9]	(1.63) [41,3]	(1.26) [31,9]	(1.63) [41,3]	(3.90) [99,1]	(5.38) [136,7]	(2.35) [59,7]	(1.95) [49,5]	(0.53) [13,3]	(1.00) [25,4]	(2.16) [55,0]	(0.82) [20,8]	(1.37) [34,7]	(0.15) [3,8]	(0.78) [19,8]	123951
1-1/2" X 3/4"	(7.48) [189,9]	(7.85) [199,3]	(8.22) [208,7]	(3.43) [87,1]	(3.80) [96,5]	1.26 [31,9]	1.63 [41,3]	1.26 [31,9]	1.63 [41,3]	(4.97) [126,1]	(5.39) [136,9]	(2.44) [62,0]	(3.02) [76,6]	(0.53) [13,3]	(1.00) [25,4]	(2.17) [55,2]	(0.91) [23,1]	(2.00) [50,8]	(0.59) [14,9]	(0.79) [20,2]	123633
1-1/2" X 1"	(7.48) [189,9]	(7.85) [199,3]	(8.22) [208,7]	(3.43) [87,1]	(3.80) [96,5]	1.26 [31,9]	1.63 [41,3]	1.26 [31,9]	1.63 [41,3]	(4.97) [126,1]	(5.39) [136,9]	(2.44) [62,0]	(3.02) [76,6]	(0.53) [13,3]	(1.00) [25,4]	(2.17) [55,2]	(0.75) [19,1]	(2.00) [50,8]	(0.46) [11,7]	(0.79) [20,2]	123634
1-1/2" X 1-1/2"	(8.49) [215,5]	(8.86) [224,9]	(9.23) [234,3]	(4.02) [102,1]	(4.39) [111,5]	1.26 [31,9]	1.63 [41,3]	1.26 [31,9]	1.63 [41,3]	(5.98) [151,8]	(5.98) [151,9]	(2.52) [64,0]	(4.03) [102,2]	(0.53) [13,3]	(1.00) [25,4]	(2.76) [70,2]	(0.52) [13,2]	(2.69) [68,3]	(0.53) [13,3]	(0.81) [20,7]	123630
2" X 1/2" *	(6.47) [164,3]	(7.09) [180,1]	(7.71) [195,8]	(3.81) [96,9]	(4.18) [106,3]	1.26 [31,9]	1.88 [47,6]	1.26 [31,9]	1.63 [41,3]	(3.96) [100,6]	(5.89) [149,6]	(2.80) [71,1]	(1.98) [50,3]	(0.39) [9,9]	(1.25) [31,8]	(2.56) [65,0]	(1.18) [29,8]	(1.37) [34,9]	(0.28) [7,0]	(1.03) [26,1]	123631
2" X 3/4"R	(6.47) [164,3]	(7.09) [180,1]	(7.71) [195,8]	(3.81) [96,7]	(4.18) [106,1]	(1.26) [31,9]	(1.88) [47,6]	(1.26) [31,9]	(1.63) [41,3]	(3.96) [100,6]	(5.89) [149,6]	(2.80) [71,1]	(1.98) [50,3]	(0.39) [9,9]	(1.25) [31,8]	(2.55) [64,9]	(1.02) [25,9]	(1.37) [34,9]	(0.15) [3,8]	(1.03) [26,1]	123951
2" X 3/4"	(7.56) [191,9]	(8.18) [207,6]	(8.80) [223,4]	(3.81) [96,9]	(4.18) [106,3]	1.26 [31,9]	1.88 [47,6]	1.26 [31,9]	1.63 [41,3]	(5.05) [128,1]	(5.89) [149,6]	(3.00) [76,2]	(3.07) [77,9]	(0.39) [9,9]	(1.25) [31,8]	(2.56) [65,0]	(1.22) [31,0]	(2.03) [51,4]	(0.59) [14,9]	(1.04) [26,5]	123550
2" X 1"	(7.56) [191,9]	(8.18) [207,6]	(8.80) [223,4]	(3.81) [96,9]	(4.18) [106,3]	1.26 [31,9]	1.88 [47,6]	1.26 [31,9]	1.63 [41,3]	(5.05) [128,1]	(5.89) [149,6]	(3.00) [76,2]	(3.07) [77,9]	(0.39) [9,9]	(1.25) [31,8]	(2.56) [65,0]	(1.06) [27,0]	(2.03) [51,4]	(0.46) [11,7]	(1.04) [26,5]	123632
2" X 1-1/2"	(8.54) [216,8]	(9.16) [232,5]	(9.78) [248,3]	(4.27) [108,5]	(4.64) [117,9]	1.26 [31,9]	1.88 [47,6]	1.26 [31,9]	1.63 [41,3]	(6.03) [153,0]	(6.35) [161,3]	(2.97) [75,4]	(4.05) [102,7]	(0.39) [9,9]	(1.25) [31,8]	(3.01) [76,6]	(0.72) [18,3]	(2.69) [68,3]	(0.53) [13,3]	(1.06) [27,0]	123551
2" X 2"	(8.88) [225,4]	(9.50) [241,2]	(10.12) [256,9]	(4.31) [109,6]	(4.93) [125,3]	1.26 [31,9]	1.88 [47,6]	1.26 [31,9]	1.88 [47,6]	(6.37) [161,7]	(6.40) [162,5]	(2.97) [75,4]	(4.39) [111,4]	(0.39) [9,9]	(1.25) [31,8]	(3.06) [77,7]	(0.47) [11,9]	(2.95) [74,8]	(0.39) [9,9]	(1.08) [27,4]	123552

* DOES NOT MEET 2D REQUIREMENT



PURE-FLO ORDER: - ITEM: -
 CUSTOMER: -
 CUSTOMER PO: -
 OTHER INFO: -

THIS DOCUMENT IS THE SOLE PROPERTY OF ITT CORPORATION, OR ITS SUBSIDIARY, AND IS PROVIDED SUBJECT TO RETURN. IT IS ISSUED IN STRICT CONFIDENCE AND SHALL NOT BE REPRODUCED, OR COPIED, OR DISCLOSED IN WHOLE OR IN PART, OR USED AS THE BASIS FOR THE MANUFACTURE OR SALES OF APPARATUS OR PARTS TO WHICH THE DOCUMENT RELATES, WITHOUT THE EXPRESS WRITTEN CONSENT OF ITT CORPORATION, OR ITS SUBSIDIARY. THIS LEGEND SHALL BE MARKED ON ANY REPRODUCTION HEREOF, IN WHOLE OR IN PART. ALL RIGHTS TO THE INFORMATION AND DESIGN DISCLOSED HEREIN ARE RESERVED TO ITT CORPORATION, OR ITS SUBSIDIARY.



UNLESS OTHERWISE NOTED	
INCH	MM
X: ± 0.06	X: ± 1.5
XX: ± 0.06	XX: ± 1.5
XXX: ± 0.02	XXX: ± 0.5
XXX: ± 0.02	XXX: ± 0.5
XXX: ± 0.02	XXX: ± 0.5
XXX: ± 0.02	XXX: ± 0.5

DATE	BY
01/20/20	LFV
01/20/20	TJS
01/20/20	MMA

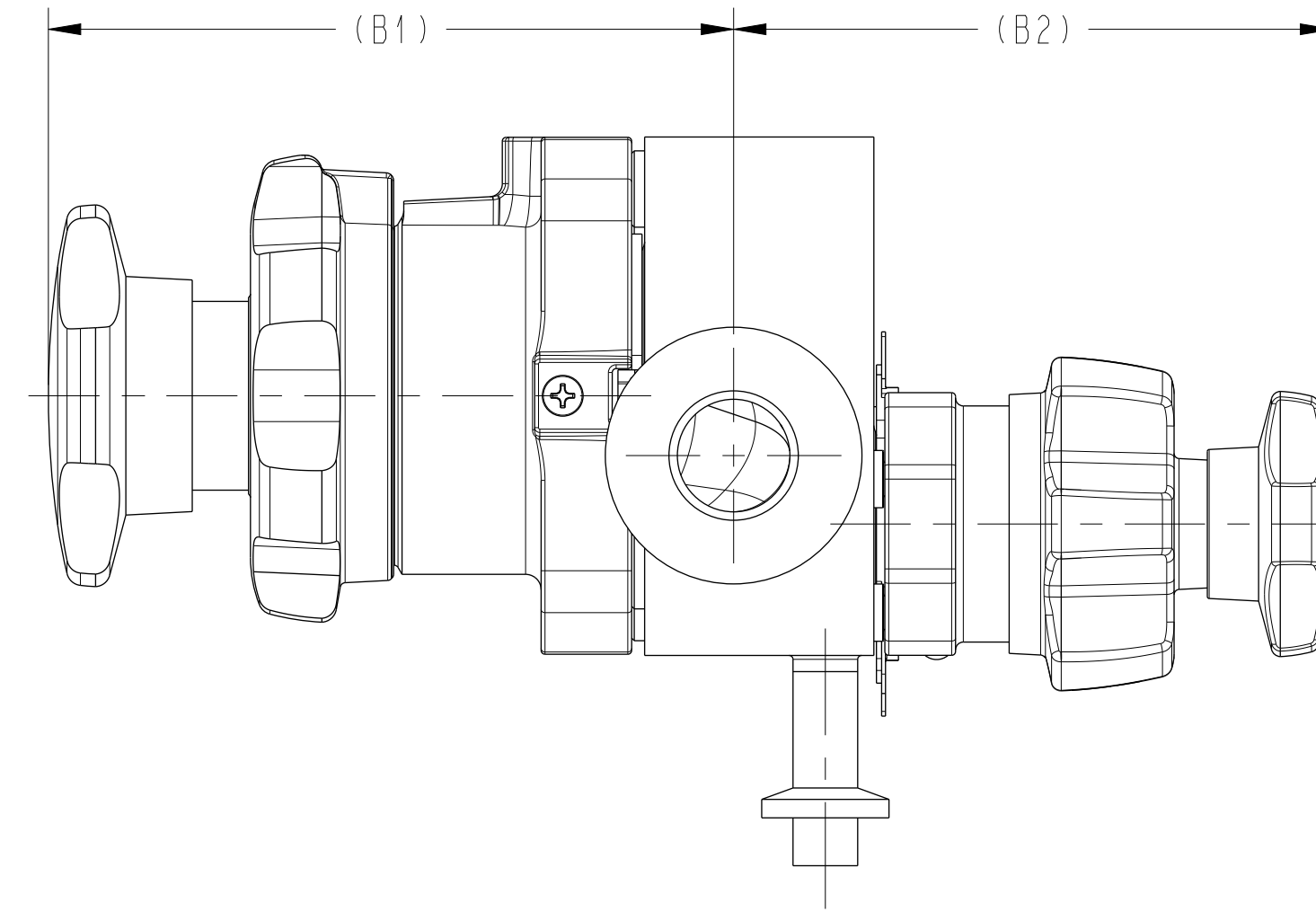
ISG ENVIZION LH VALVE ASSY.
 1/2" - 2"
 MASTER DWG: A30194/A
 ECN# 17098

ITT
 www.ittpureflo.com

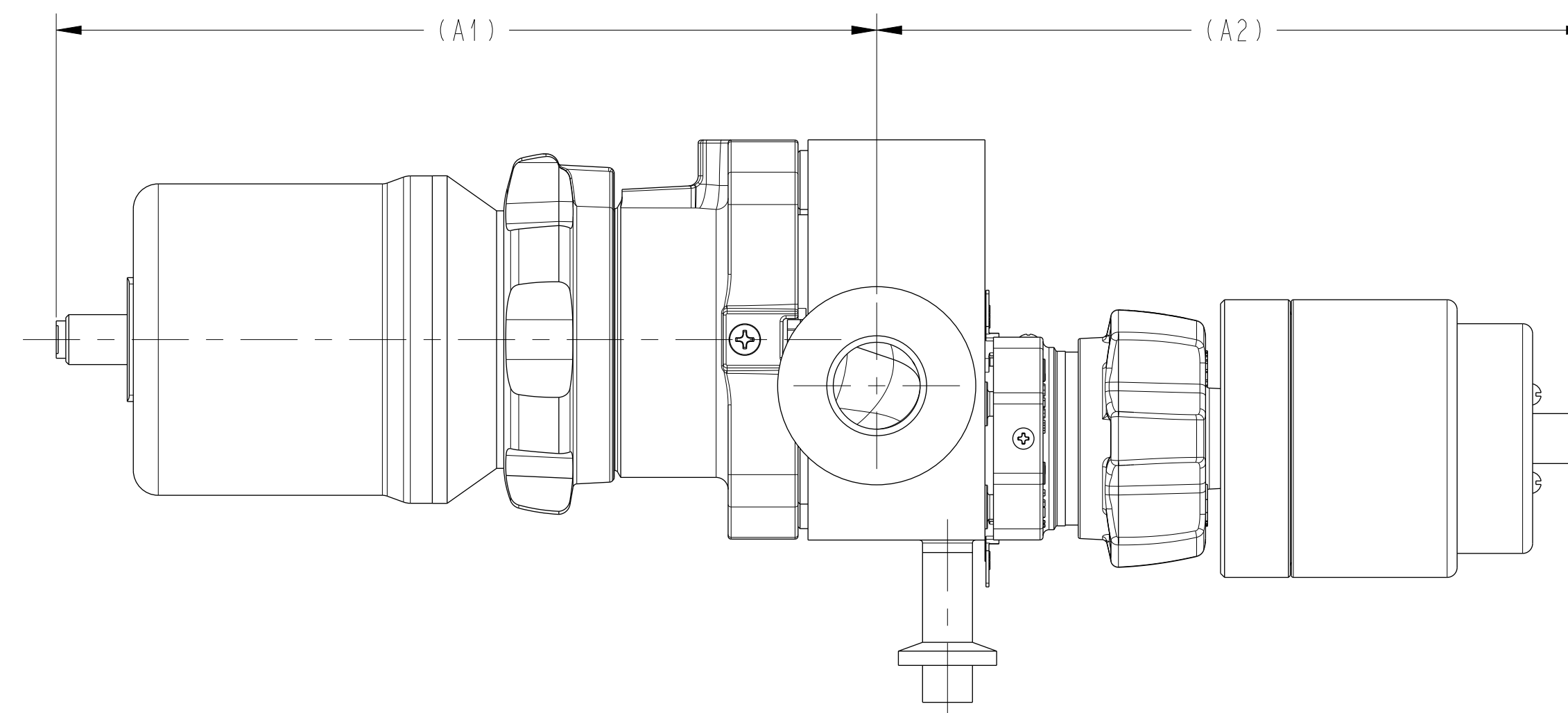
D	A30194	SHEET 1 OF 2	REV A
ISSUE BY:	CERT BY:		

MAIN X PURGE	(A1)	(A2)	(B1)	(B2)
1/2" X 1/2"	(6.45) [163,8]	(6.95) [176,5]	(3.92) [99,6]	(4.42) [112,3]
3/4"R X 1/2"	(6.60) [167,7]	(7.05) [179,1]	(4.08) [103,6]	(4.53) [115,0]
3/4"R X 3/4"R	(6.60) [167,7]	(7.05) [179,1]	(4.08) [103,6]	(4.53) [115,0]
3/4" X 1/2"	(8.06) [204,7]	(7.06) [179,4]	(0.00) [0,0]	(4.54) [115,2]
3/4" X 3/4"R	(8.06) [204,7]	(7.15) [181,7]	(5.14) [130,6]	(4.63) [117,5]
3/4" X 3/4"	(8.06) [204,7]	(8.62) [219,0]	(5.14) [130,6]	(5.71) [144,9]
1" X 1/2"	(8.22) [208,7]	(7.16) [181,8]	(5.30) [134,6]	(4.63) [117,6]
1" X 3/4"R	(8.22) [208,7]	(7.16) [181,8]	(5.30) [134,6]	(4.63) [117,6]
1" X 3/4"	(8.22) [208,7]	(8.75) [222,2]	(5.30) [134,6]	(5.83) [148,1]
1" X 1"	(8.22) [208,7]	(8.75) [222,2]	(5.30) [134,6]	(5.83) [148,1]
1-1/2" X 1/2"	(12.10) [307,4]	(7.43) [188,7]	(7.11) [180,6]	(4.90) [124,5]
1-1/2" X 3/4"R	(12.10) [307,3]	(7.42) [188,5]	(7.11) [180,6]	(4.90) [124,4]
1-1/2" X 3/4"	(12.10) [307,4]	(8.97) [227,8]	(7.11) [180,6]	(6.05) [153,7]
1-1/2" X 1"	(12.10) [307,4]	(8.97) [227,8]	(7.11) 0 [180,6]	(6.05) [153,7]
1-1/2" X 1-1/2"	(12.10) [307,4]	(12.62) [320,6]	(7.11) [180,6]	(7.63) [193,8]
2" X 1/2" *	(12.78) [324,6]	(7.62) [193,6]	(7.79) [197,9]	(5.10) [129,5]
2" X 3/4"R	(12.78) [324,6]	(7.62) [193,6]	(7.79) [197,9]	(5.10) [129,5]
2" X 3/4"	(12.78) [324,6]	(9.28) [235,7]	(7.79) [197,9]	(6.36) [161,6]
2" X 1"	(12.78) [324,6]	(9.28) [235,7]	(7.79) [197,9]	(6.36) [161,6]
2" X 1-1/2"	(12.78) [324,6]	(12.82) [325,6]	(7.79) [197,9]	(7.83) [198,9]
2" X 2"	(12.78) [324,6]	(13.25) [336,6]	(7.79) [197,9]	(8.26) [209,9]

* DOES NOT MEET 2D REQUIREMENT



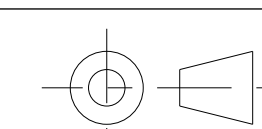
ENVIZION ZERO TORQUE MANUAL BONNET



ENVIZION ZERO TORQUE ACTUATED BONNET

PURE-FLO ORDER: - ITEM: -
 CUSTOMER: -
 CUSTOMER PO: -
 OTHER INFO: -

THIS DOCUMENT IS THE SOLE PROPERTY OF ITT CORPORATION, OR ITS SUBSIDIARY, AND IS PROVIDED SUBJECT TO RETURN. IT IS ISSUED IN STRICT CONFIDENCE AND SHALL NOT BE REPRODUCED, OR COPIED, OR DISCLOSED IN WHOLE OR IN PART, OR USED AS THE BASIS FOR THE MANUFACTURE OR SALES OF APPARATUS OR PARTS TO WHICH THE DOCUMENT RELATES, WITHOUT THE EXPRESS WRITTEN CONSENT OF ITT CORPORATION, OR ITS SUBSIDIARY. THIS LEGEND SHALL BE MARKED ON ANY REPRODUCTION HEREOF, IN WHOLE OR IN PART. ALL RIGHTS TO THE INFORMATION AND DESIGN DISCLOSED HEREIN ARE RESERVED TO ITT CORPORATION, OR ITS SUBSIDIARY.

THIRD ANGLE PROJECTION

 UNLESS OTHERWISE SPECIFIED, ALL DIMENSIONS ARE IN

UNLESS OTHERWISE NOTED
 INCH MM
 .X ± 0.06 X ± 1.5
 .XX ± 0.06 X ± 1.5
 .XXX ± 0.02 .XX ± 1.5
 X/XX ± 1/16 X ± 1.5
 X° ± 1° X° ± 1°

DATE	BY
01/20/20	LFV
01/20/20	TJS
01/20/20	MMA

ISG ENVIZION LH VALVE ASSY.
 1/2" - 2"
 MASTER DWG: A30194/A ECN# 17098

ITT
 www.ittpureflo.com
 D A30194 SHEET 2 OF 2 REV A
 ISSUE BY: - CERT BY: -