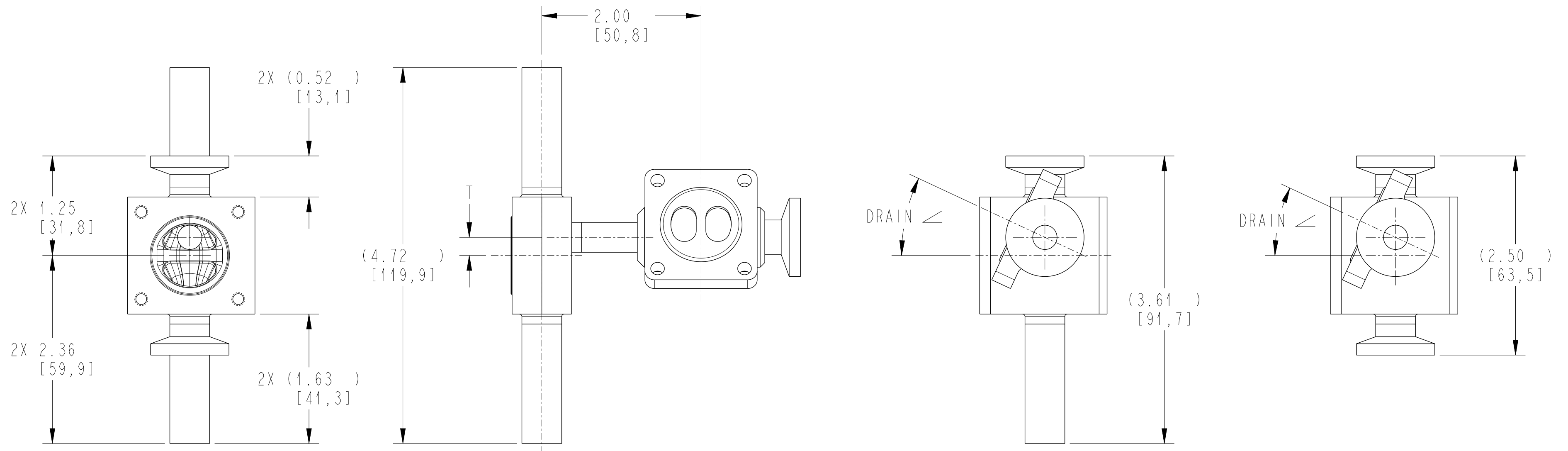



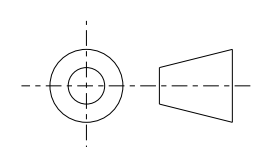
MAIN VALVE HORIZONTAL STERILE ACCESS		
PURGE	T	DRAIN \angle
0.250 20GA [6]	0.17 [4,2]	32°
0.250 18GA [6]	0.15 [3,8]	
0.375 20GA [10]	0.23 [5,8]	25°
0.375 18GA [10]	0.21 [5,4]	
0.375 16GA [10]	0.20 [5,0]	
0.500 18GA [15]	0.28 [7,0]	20°
0.500 16GA [15]	0.26 [6,6]	
0.500 14GA [15]	0.24 [6,1]	

NOTES:

1. SEE DRAWING K30404A FOR PORT MACHINING.
2. LOCATE AIR CONNECTIONS ON SAME SIDE AS PURGE.



THIS DOCUMENT IS THE SOLE PROPERTY OF ITT CORPORATION, OR ITS SUBSIDIARY, AND IS PROVIDED SUBJECT TO RETURN. IT IS ISSUED IN STRICT CONFIDENCE AND SHALL NOT BE REPRODUCED, OR COPIED, OR DISCLOSED IN WHOLE OR IN PART, OR USED AS THE BASIS FOR THE MANUFACTURE OR SALES OF APPARATUS OR PARTS TO WHICH THE DOCUMENT RELATES, WITHOUT THE EXPRESS WRITTEN CONSENT OF ITT CORPORATION, OR ITS SUBSIDIARY. THIS LEGEND SHALL BE MARKED ON ANY REPRODUCTION HEREOF, IN WHOLE OR IN PART. ALL RIGHTS TO THE INFORMATION AND DESIGN DISCLOSED HEREIN ARE RESERVED TO ITT CORPORATION, OR ITS SUBSIDIARY.

PURE-FLO ORDER: -	ITEM: -	THIRD ANGLE PROJECTION	UNLESS OTHERWISE NOTED	DATE	BY	GMP	 ITT Pure-Flo www.ittpureflo.com
CUSTOMER: -			INCH MM X = ± 0.06 X = ± 1,5 .X = ± 0.06 .X = ± 1,5 .XX = ± 0.06 .XX = ± 1,5 .XXX = ± 0.02 X/X = ± 1/16 X° = ± 5° X° = ± 5°	DWN 01/24/22	LFV	1/2" 16GA BIOVIZION FABRICATION PURGE 1/4" - 1/2"	
CUSTOMER PO: -				CHKD 01/24/22	KRP	-	C A30839A SHEET REV 1 OF 1 -
OTHER INFO: -		UNLESS OTHERWISE SPECIFIED, ALL DIMENSIONS ARE IN INCHES [MM]		APVD 01/24/22	TJS	MASTER DWG: A30839A/- ECN# 18657	
						ISSUED BY: -	CERT BY: -