

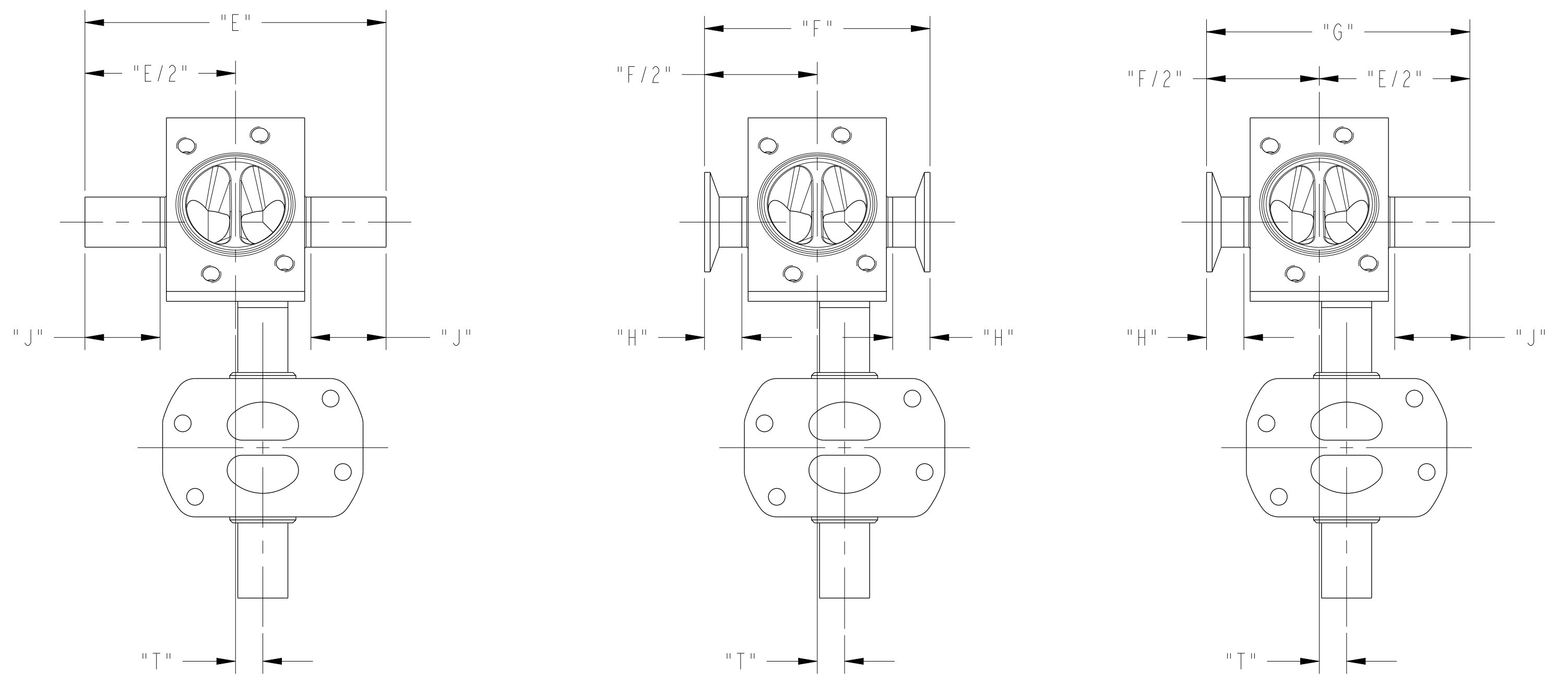
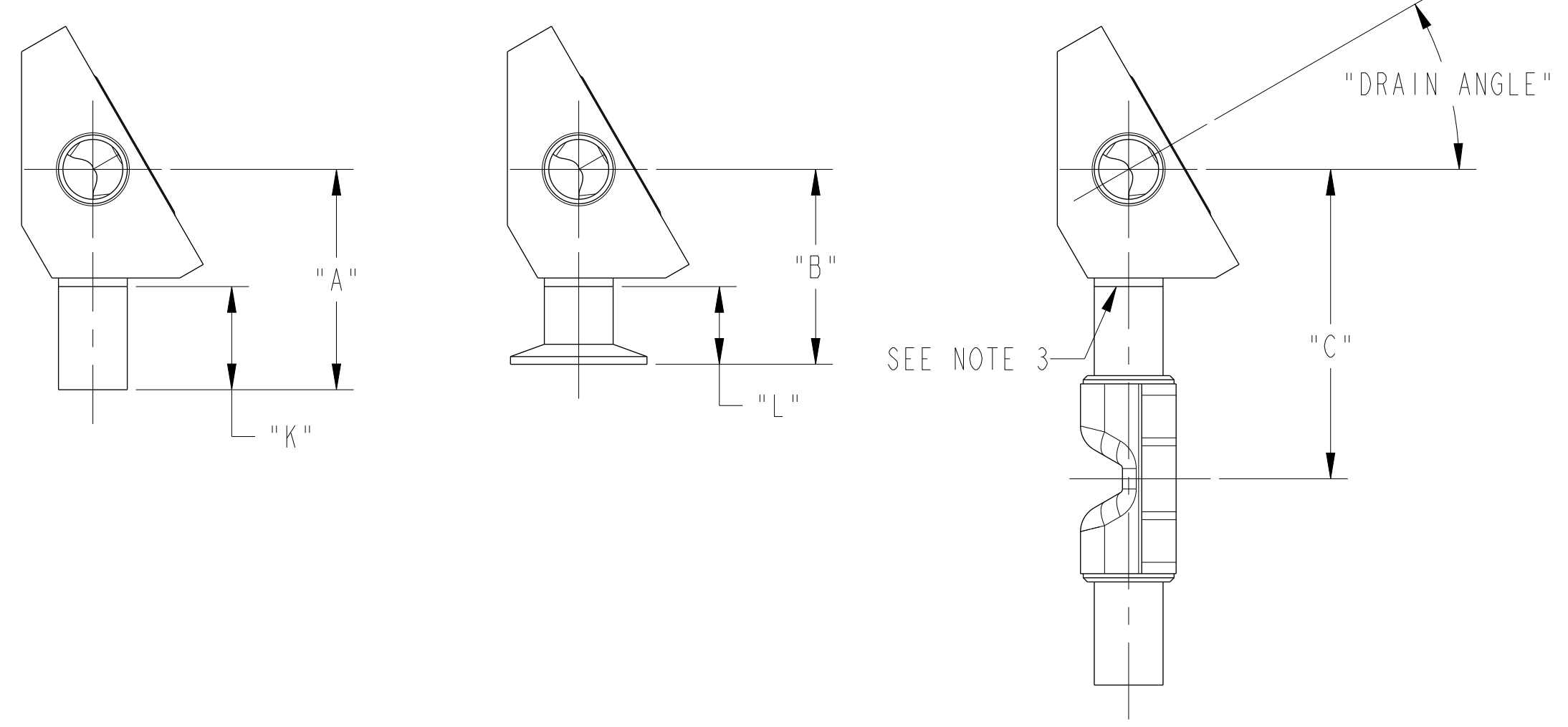
MAIN VALVE STERILE ACCESS

		MAIN VALVE STERILE ACCESS											
		0.50 [15]		0.75R [20]		0.75 [20]		1.00 [25]		1.50 [40]		2.00 [50]	
		CODES		CODES		CODES		CODES		CODES		CODES	
L U R D A	0.25 [6] 0.375 [10] 0.50 [15]	A B	2.71 [68,8] 1.71 [43,4]		2.79 [70,9] 1.79 [45,5]		3.08 [78,2] 2.08 [52,8]		3.20 [81,3] 2.20 [55,9]		3.71 [94,2] 2.71 [68,8]		4.16 [105,7] 3.16 [80,3]
	BIOVIZION 0.25 [6] 0.375 [10] 0.50 [15]	C C C	2.96 [75,2] 2.96 [75,2] 2.96 [75,2]	a a a	3.04 [77,2] 3.04 [77,2] 3.04 [77,2]	a a a	3.33 [84,6] 3.33 [84,6] 3.33 [84,6]	a a a	3.46 [87,9] 3.46 [87,9] 3.46 [87,9]	a a a	3.96 [100,6] 3.96 [100,6] 3.96 [100,6]	a a a	4.41 [112,0] 4.41 [112,0] 4.41 [112,0]
	0.50 [15]	A B C	2.71 [68,8] 1.71 [43,4] 3.00 [76,2]		2.79 [70,9] 1.79 [45,5] 2.95 [74,9]		3.08 [78,2] 2.08 [52,8] 3.25 [82,6]	a	3.20 [81,3] 2.20 [55,9] 3.50 [88,9]	a	3.71 [94,2] 2.71 [68,8] 4.00 [101,6]	a	4.16 [105,7] 3.16 [80,3] 4.41 [112,0]
	0.75R [20]	C			2.95 [74,9]		3.25 [82,6]		3.50 [88,9]		4.00 [101,6]		4.41 [112,0]
	0.75 [20]	A B C			2.79 [70,9] 1.79 [45,5] N/A		3.08 [78,2] 2.08 [52,8] 3.73 [94,7]		3.20 [81,3] 2.20 [55,9] 3.85 [97,8]		3.71 [94,2] 2.71 [68,8] 4.36 [110,7]		4.16 [105,7] 3.16 [80,3] 4.81 [122,2]
	1.00 [25]	A B C							3.20 [81,3] 2.83 [71,9] 3.85 [97,8]		3.71 [94,2] 3.34 [84,8] 4.36 [110,7]		4.16 [105,7] 3.79 [96,3] 4.81 [122,2]
	1.50 [40]	A B C									3.71 [94,2] 3.34 [84,8] 5.00 [127,0]		4.16 [105,7] 3.79 [96,3] 5.46 [138,7]
	2.00 [50]	A B C											4.41 [112,0] 3.79 [96,3] 5.60 [142,2]

		MAIN VALVE STERILE ACCESS OFFSETS					
PURGE		0.50 [15]	0.75R [20]	0.75 [20]	1.00 [25]	1.50 [40]	2.00 [50]
0.250 [6]	T	0.28 [7,1]	0.40 [10,2]	0.42 [10,7]	0.55 [14,0]	0.82 [20,8]	1.08 [27,4]
0.375 [10]	T						
0.50 [15]	T						
0.75R [20]	T						
0.75 [20]	T						
1.00 [25]	T						
1.50 [40]	T						
2.00 [50]	T						

VALVE/PURGE SIZE/TUBE	DRAIN ANGLE	MAIN VALVE					PURGE TUBE		
		E BW LENGTH	F TC LENGTH	G TC X BW LENGTH	H	J	K	L	
BIOVIZION 0.25 [6] 0.375 [10] 0.50 [15]	32° 25° 20°	N/A	N/A	N/A	N/A	N/A	N/A	1.50 [38,1]	0.50 [12,7]
0.50 [15]	27°	5.28 [134,1]	3.50 [88,9]	4.39 [111,5]	0.61 [15,5]	1.50 [38,1]	1.50 [38,1]	1.50 [38,1]	0.50 [12,7]
0.75R [20]	16°	5.28 [134,1]	4.00 [101,6]	4.64 [117,9]	0.86 [21,8]	1.50 [38,1]	1.50 [38,1]	1.50 [38,1]	0.50 [12,7]
0.75 [20]	36°	6.01 [152,7]	4.00 [101,6]	5.00 [127,0]	0.50 [12,7]	1.50 [38,1]	1.50 [38,1]	1.50 [38,1]	0.50 [12,7]
1.00 [25]	30°	6.01 [152,7]	4.50 [114,3]	5.26 [133,6]	0.75 [19,1]	1.50 [38,1]	1.50 [38,1]	1.50 [38,1]	1.12 [28,4]
1.50 [40]	25°	7.15 [181,6]	5.50 [139,7]	6.33 [160,8]	0.68 [17,3]	1.50 [38,1]	1.50 [38,1]	1.50 [38,1]	1.12 [28,4]
2.00 [50]	19°	8.17 [207,5]	6.25 [158,8]	7.21 [183,1]	0.79 [20,1]	1.75 [44,4]	1.75 [44,4]	1.75 [44,4]	1.12 [28,4]

CODES:
a- NON-CONFORMANCE TO "6D" RULE.



PURE-FLO ORDER: - ITEM: -
CUSTOMER: -
CUSTOMER PO: -
OTHER INFO: -

THIS DOCUMENT IS THE SOLE PROPERTY OF ITT CORPORATION, OR ITS SUBSIDIARY, AND IS PROVIDED SUBJECT TO RETURN. IT IS ISSUED IN STRICT CONFIDENCE AND SHALL NOT BE REPRODUCED, OR COPIED, OR DISCLOSED IN WHOLE OR IN PART, OR USED AS THE BASIS FOR THE MANUFACTURE OR SALES OF APPARATUS OR PARTS TO WHICH THE DOCUMENT RELATES, WITHOUT THE EXPRESS WRITTEN CONSENT OF ITT CORPORATION, OR ITS SUBSIDIARY. THIS LEGEND SHALL BE MARKED ON ANY REPRODUCTION HEREOF, IN WHOLE OR IN PART. ALL RIGHTS TO THE INFORMATION AND DESIGN DISCLOSED HEREIN ARE RESERVED TO ITT CORPORATION, OR ITS SUBSIDIARY.

THIRD ANGLE PROJECTION	UNLESS OTHERWISE NOTED	DATE	BY
	INCH	DWN 11/11/19	MMA
UNLESS OTHERWISE SPECIFIED, ALL DIMENSIONS ARE IN INCHES	MM	CHKD 11/11/19	TJS
		APVD 11/11/19	MMA

STERILE ACCESS ENVIZION
FABRICATION STANDARDS
WR 00.50 - 02.00

ITT
www.ittpureflo.com

D A31056 SHEET 1 OF 1 REV A

MASTER DWG: A31056/A ECN# 17240 ISSUE BY: - CERT BY: -