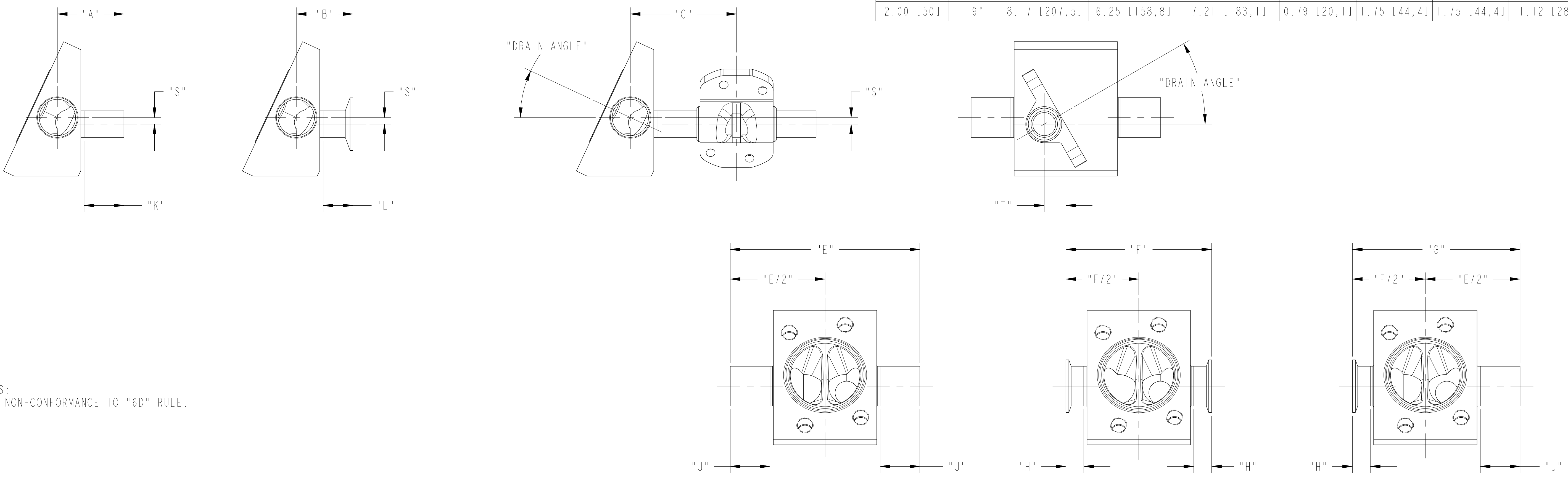


		MAIN VALVE HORIZONTAL STERILE ACCESS											
		0.50 [15]	CODES	0.75R [20]	CODES	0.75 [20]	CODES	1.00 [25]	CODES	1.50 [40]	CODES	2.00 [50]	CODES
L U R D A	0.25 [6] 0.375 [10] 0.50 [15]	A B		2.12 [53,9] 1.12 [28,5]		2.67 [67,8] 1.67 [42,4]		2.53 [64,3] 1.53 [38,9]		2.51 [63,8] 1.51 [38,6]		2.75 [69,9] 1.75 [44,5]	
	BIOVIZION 0.25 [6] 0.375 [10] 0.50 [15]	C C C		2.37 [60,2] 2.37 [60,2] 2.37 [60,2]	α α α	2.78 [70,6] 2.78 [70,6] 2.78 [70,6]	α α α	2.78 [70,6] 2.76 [70,1] 2.78 [70,6]	α α α	2.76 [70,1] 3.00 [76,2] 2.76 [70,1]	α α α	3.00 [76,2] 3.00 [76,2] 3.00 [76,2]	α α α
	0.50 [15]	A B C		2.12 [58,9] 1.12 [28,5] 3.12 [79,3]		2.67 [67,8] 1.67 [42,4] 2.92 [74,2]		2.53 [64,3] 1.53 [38,9] 3.09 [78,5]		2.51 [63,8] 1.51 [38,6] 3.09 [78,5]		2.75 [69,9] 1.75 [44,5] 3.34 [84,8]	α
	0.75R [20]	C		3.12 [79,3]		2.92 [74,2]		3.09 [78,5]		3.09 [78,5]		3.34 [84,8]	
	0.75 [20]	A B C		2.12 [58,9] 1.12 [28,5] N/A		2.67 [67,8] 1.67 [42,4] 3.50 [88,9]		2.53 [64,3] 1.53 [38,9] 3.50 [88,9]		2.51 [63,8] 1.51 [38,6] 3.50 [88,9]		2.75 [69,9] 1.75 [44,5] 4.25 [108,0]	
	1.00 [25]	A B C						2.53 [64,3] 2.16 [54,9] 3.50 [88,9]		2.51 [63,8] 2.14 [54,4] 3.50 [88,9]		2.75 [69,9] 2.38 [60,5] 4.25 [108,0]	
	1.50 [40]	A B C							2.51 [63,8] 2.14 [54,4] 4.06 [103,1]		2.75 [69,9] 2.38 [60,5] 4.76 [120,9]		
	2.00 [50]	A B C										3.00 [76,2] 2.38 [60,5] 4.82 [122,4]	

		MAIN VALVE HORIZONTAL STERILE ACCESS OFFSETS					
PURGE		0.50 [15]	0.75R [20]	0.75 [20]	1.00 [25]	1.50 [40]	2.00 [50]
0.250 [6]	S T	0.09 [2,3] 0.28 [7,1]	0.22 [5,6] 0.41 [10,4]	0.22 [5,6] 0.42 [10,7]	0.35 [8,9] 0.55 [14,0]	0.60 [15,2] 0.82 [20,8]	0.85 [21,6] 1.08 [27,4]
0.375 [10]	S T	0.03 [0,8] 0.28 [7,1]	0.16 [4,1] 0.41 [10,4]	0.16 [4,1] 0.42 [10,7]	0.28 [7,1] 0.55 [14,0]	0.53 [13,5] 0.82 [20,8]	0.78 [19,8] 1.08 [27,4]
0.50 [15]	S T	0.00 [0,0] 0.28 [7,1]	0.13 [3,3] 0.41 [10,4]	0.13 [3,3] 0.42 [10,7]	0.25 [6,4] 0.55 [14,0]	0.50 [12,7] 0.82 [20,8]	0.75 [19,1] 1.08 [27,4]
0.75R [20]	S T		0.00 [0,0] 0.41 [10,4]	0.00 [0,0] 0.42 [10,7]	0.13 [3,3] 0.55 [14,0]	0.38 [9,7] 0.82 [20,8]	0.63 [16,0] 1.08 [27,4]
0.75 [20]	S T		0.00 [0,0] 0.41 [10,4]	0.00 [0,0] 0.42 [10,7]	0.13 [3,3] 0.55 [14,0]	0.38 [9,7] 0.82 [20,8]	0.63 [16,0] 1.08 [27,4]
1.00 [25]	S T				0.00 [0,0] 0.55 [14,0]	0.25 [6,4] 0.82 [20,8]	0.50 [12,7] 1.08 [27,4]
1.50 [40]	S T					0.00 [0,0] 0.82 [20,8]	0.25 [6,4] 1.08 [27,4]
2.00 [50]	S T						0.00 [0,0] 1.08 [27,4]

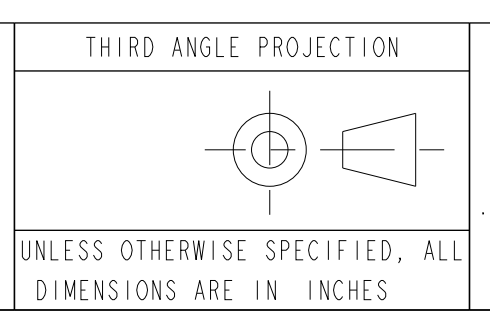
		MAIN VALVE					PURGE TUBE	
VALVE/PURGE SIZE/TUBE	DRAIN ANGLE	E BW LENGTH	F TC LENGTH	G TC X BW LENGTH	H	J	K	L
BIOVIZION 0.25 [6] 0.375 [10] 0.50 [15]	32° 25° 20°	N/A	N/A	N/A	N/A	N/A	1.50 [38,1]	0.50 [12,7]
0.50 [15]	27°	5.28 [134,1]	3.50 [88,9]	4.39 [111,5]	0.61 [15,5]	1.50 [38,1]	1.50 [38,1]	0.50 [12,7]
0.75R [20]	16°	5.28 [134,1]	4.00 [101,6]	4.64 [117,9]	0.86 [21,8]	1.50 [38,1]	1.50 [38,1]	0.50 [12,7]
0.75 [20]	36°	6.01 [152,7]	4.00 [101,6]	5.00 [127,0]	0.50 [12,7]	1.50 [38,1]	1.50 [38,1]	0.50 [12,7]
1.00 [25]	30°	6.01 [152,7]	4.50 [114,3]	5.26 [133,6]	0.75 [19,1]	1.50 [38,1]	1.50 [38,1]	1.12 [28,4]
1.50 [40]	25°	7.15 [181,6]	5.50 [139,7]	6.33 [160,8]	0.68 [17,3]	1.50 [38,1]	1.50 [38,1]	1.12 [28,4]
2.00 [50]	19°	8.17 [207,5]	6.25 [158,8]	7.21 [183,1]	0.79 [20,1]	1.75 [44,4]	1.75 [44,4]	1.12 [28,4]



CODES:
α- NON-CONFORMANCE TO "6D" RULE.

PURE-FLO ORDER: _____ ITEM: _____
 CUSTOMER: _____
 CUSTOMER PO: _____
 OTHER INFO: _____

THIS DOCUMENT IS THE SOLE PROPERTY OF ITT CORPORATION, OR ITS SUBSIDIARY, AND IS PROVIDED SUBJECT TO RETURN. IT IS ISSUED IN STRICT CONFIDENCE AND SHALL NOT BE REPRODUCED, OR COPIED, OR DISCLOSED IN WHOLE OR IN PART, OR USED AS THE BASIS FOR THE MANUFACTURE OR SALES OF APPARATUS OR PARTS TO WHICH THE DOCUMENT RELATES, WITHOUT THE EXPRESS WRITTEN CONSENT OF ITT CORPORATION, OR ITS SUBSIDIARY. THIS LEGEND SHALL BE MARKED ON ANY REPRODUCTION HEREOF, IN WHOLE OR IN PART. ALL RIGHTS TO THE INFORMATION AND DESIGN DISCLOSED HEREIN ARE RESERVED TO ITT CORPORATION, OR ITS SUBSIDIARY.



UNLESS OTHERWISE NOTED	
INCH	MM
X: ± 0.06	X: ± 1.5
.XX: ± 0.06	.XX: ± 1.5
.XXX: ± 0.02	.XXX: ± 0.5
X/2: ± 1/16	X/2: ± 1.5
X°: ± 1°	X°: ± 1°

DATE	BY
11/12/19	MMA
11/12/19	TJS
11/12/19	MMA

HORIZONTAL STERILE ACCESS
 ENVIZION FABRICATION STANDARDS
 WR 00.50 - 02.00

ITT Pure-Flo
 www.ittpureflo.com

D | A31057 | SHEET 1 OF 1 | REV A

MASTER DWG: A31057/A | ECN# 17240 | ISSUE BY: | CERT BY: