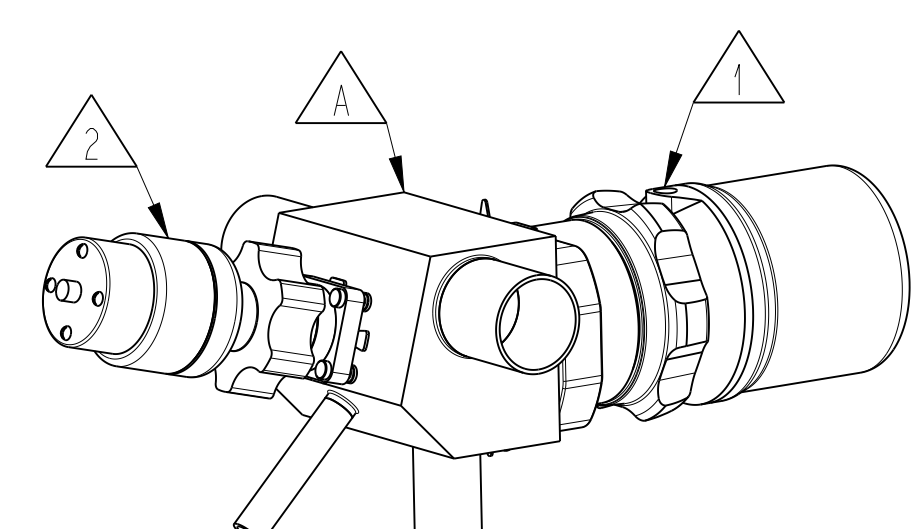
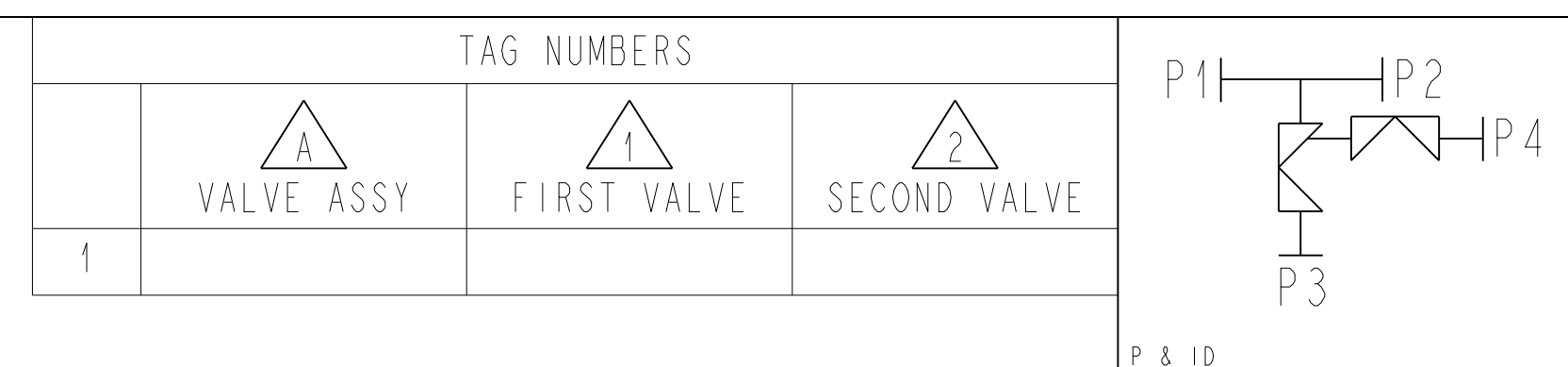
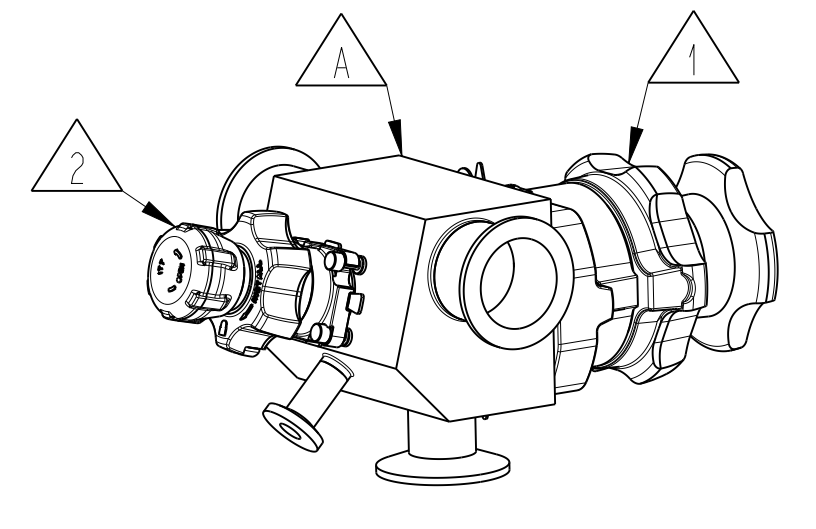


RUN X W2 X BV	A1	A2	B1	B2	C	D	E	F	G	H1	H2	J1	J2	K1	K2	L1	L2
1/2 X 1/2 X 1/2			(2.88) [73,2]	(4.13) [104,8]			2.50 [63,5]	(0.33) [8,3]	(0.53) [13,3]	(2.15) [54,6]	(3.03) [77,0]	(1.32) [33,5]	(2.20) [55,9]	(6.97) [177,1]	(4.45) [113,0]	(5.42) [137,6]	(3.56) [90,5]
3/4 X 1/2 X 1/2		(5.85) [148,6]	(2.96) [75,2]	(4.21) [106,8]	1.63 [41,3]	2.50 [63,5]	2.25 [57,2]	(0.46) [11,6]	(0.60) [15,1]	(2.23) [56,7]	(2.93) [74,5]	(1.54) [39,0]	(2.24) [56,9]	(7.04) [178,9]	(4.52) [114,8]	(5.64) [143,1]	(3.78) [96,0]
1 X 1/2 X 1/2			(3.09) [78,6]	(4.34) [110,2]				(0.59) [15,0]	(0.73) [18,5]	(2.32) [59,0]	(3.03) [76,8]	(1.70) [43,2]	(2.41) [61,1]	(7.18) [182,2]	(4.65) [118,1]	(5.80) [147,4]	(3.95) [100,2]
1-1/2 X 1/2 X 1/2	(5.11) [129,8]		(3.31) [84,1]	(3.68) [93,5]				(0.85) [21,7]	(0.97) [24,6]	(2.50) [63,5]	(2.76) [70,2]	(1.96) [49,8]	(2.22) [56,4]	(7.42) [188,3]	(4.89) [124,2]	(6.06) [153,9]	(4.20) [106,8]
2 X 1/2 X 1/2		(6.35) [161,3]	(3.52) [89,4]	(3.89) [98,8]	1.88 [47,6]	1.63 [41,3]	1.63 [41,3]	(1.12) [28,4]	(1.14) [29,0]	(2.68) [68,0]	(2.94) [74,7]	(2.19) [55,6]	(2.45) [62,2]	(7.59) [192,8]	(5.07) [128,7]	(6.29) [159,7]	(4.43) [112,6]
2-1/2 X 1/2 X 1/2			(3.91) [99,3]	(4.28) [108,7]				(1.38) [35,0]	(1.30) [33,1]	(2.77) [70,4]	(3.03) [77,1]	(2.43) [61,6]	(2.69) [68,3]	(7.75) [196,9]	(5.23) [132,7]	(6.52) [165,7]	(4.67) [118,6]
3 X 1/2 X 1/2			(3.91) [99,3]	(4.28) [108,7]				(1.64) [41,5]	(1.45) [36,7]	(2.96) [75,2]	(3.22) [81,9]	(2.72) [69,2]	(2.99) [75,8]	(7.89) [200,5]	(5.37) [136,3]	(6.82) [173,3]	(4.97) [126,2]
4 X 1/2 X 1/2		(6.85) [174,0]	(4.41) [112,1]	(4.78) [121,5]	2.13 [54,0]			(2.14) [54,3]	(1.75) [44,5]	(3.29) [83,5]	(3.55) [90,1]	(3.33) [84,6]	(3.59) [91,2]	(8.20) [208,2]	(5.67) [144,1]	(7.43) [188,7]	(5.57) [141,6]
3/4 X 3/4R X 1/2			(2.96) [75,2]	(4.21) [106,8]		2.50 [63,5]	2.50 [63,5]	(0.46) [11,6]	(0.44) [11,2]	(2.23) [56,7]	(3.11) [79,0]	(1.54) [39,1]	(2.42) [61,4]	(7.04) [178,9]	(4.52) [114,8]	(5.64) [143,2]	(3.78) [96,1]
1 X 3/4R X 1/2		(5.85) [148,6]	(3.09) [78,6]	(4.34) [110,2]	1.63 [41,3]			(0.59) [15,0]	(0.57) [14,5]	(2.32) [59,0]	(3.20) [81,3]	(1.70) [43,2]	(2.58) [65,6]	(7.18) [182,2]	(4.65) [118,1]	(5.80) [147,4]	(3.95) [100,2]
1-1/2 X 3/4R X 1/2			(3.31) [84,1]	(3.68) [93,5]				(0.85) [21,7]	(0.81) [20,6]	(2.50) [63,5]	(2.76) [70,2]	(1.96) [49,8]	(2.22) [56,4]	(7.42) [188,3]	(4.89) [124,2]	(6.06) [153,9]	(4.20) [106,8]
2 X 3/4R X 1/2	(5.11) [129,8]		(3.52) [89,4]	(3.89) [98,8]				(1.12) [28,4]	(0.99) [25,1]	(2.68) [68,0]	(2.94) [74,7]	(2.19) [55,6]	(2.45) [62,2]	(7.59) [192,8]	(5.07) [128,7]	(6.29) [159,7]	(4.43) [112,6]
2-1/2 X 3/4R X 1/2		(6.35) [161,3]	(3.65) [92,7]	(4.02) [102,1]	1.88 [47,6]	1.63 [41,3]	1.63 [41,3]	(1.38) [35,0]	(1.15) [29,2]	(2.77) [70,4]	(3.03) [77,1]	(2.43) [61,6]	(2.69) [68,3]	(7.75) [196,9]	(5.23) [132,7]	(6.52) [165,7]	(4.67) [118,6]
3 X 3/4R X 1/2			(3.91) [99,3]	(4.28) [108,7]				(1.64) [41,5]	(1.29) [32,8]	(2.96) [75,2]	(3.22) [81,9]	(2.72) [69,2]	(2.99) [75,8]	(7.89) [200,5]	(5.37) [136,3]	(6.82) [173,3]	(4.97) [126,2]
4 X 3/4R X 1/2		(6.85) [174,0]	(4.41) [112,1]	(4.78) [121,5]	2.13 [54,0]			(2.14) [54,3]	(1.60) [40,5]	(3.29) [83,5]	(3.55) [90,1]	(3.33) [84,6]	(3.59) [91,2]	(8.20) [208,2]	(5.67) [144,1]	(7.43) [188,7]	(5.57) [141,6]
3/4 X 3/4 X 1/2			(3.11) [78,9]	(4.35) [110,5]		2.50 [63,5]	2.50 [63,5]	(0.47) [12,0]	(0.56) [14,2]	(2.23) [56,6]	(3.11) [78,9]	(1.53) [39,0]	(2.41) [61,3]	(8.62) [218,9]	(5.70) [144,8]	(5.63) [143,1]	(3.78) [96,0]
1 X 3/4 X 1/2		(7.25) [184,2]	(3.24) [82,2]	(4.48) [113,9]	1.63 [41,3]			(0.60) [15,3]	(0.67) [17,1]	(2.32) [59,0]	(3.20) [81,4]	(1.70) [43,2]	(2.58) [65,6]	(8.73) [221,7]	(5.81) [147,6]	(5.80) [147,4]	(3.95) [100,2]
1-1/2 X 3/4 X 1/2			(3.50) [89,0]	(3.87) [98,4]				(0.87) [22,1]	(0.93) [23,5]	(2.55) [64,9]	(2.82) [71,5]	(1.95) [49,6]	(2.22) [56,3]	(8.99) [228,2]	(6.07) [154,1]	(6.05) [153,8]	(4.20) [106,6]
2 X 3/4 X 1/2	(6.51) [165,4]		(3.77) [95,7]	(4.14) [105,1]				(1.13) [28,8]	(1.17) [29,8]	(2.78) [70,7]	(3.05) [77,4]	(2.16) [55,0]	(2.43) [61,6]	(9.23) [234,5]	(6.31) [160,4]	(6.26) [159,1]	(4.41) [112,0]
2-1/2 X 3/4 X 1/2		(7.75) [196,9]	(4.03) [102,4]	(4.40) [111,8]	1.88 [47,6]	1.63 [41,3]	1.63 [41,3]	(1.40) [35,5]	(1.37) [34,7]	(2.98) [75,6]	(3.24) [82,2]	(2.47) [62,7]	(2.73) [69,4]	(9.42) [239,3]	(6.51) [165,2]	(6.57) [166,8]	(4.71) [119,7]
3 X 3/4 X 1/2			(4.29) [109,0]	(4.66) [118,4]				(1.66) [42,1]	(1.53) [38,8]	(3.17) [80,4]	(3.43) [87,1]	(2.78) [70,6]	(3.04) [77,2]	(9.59) [243,5]	(6.67) [169,4]	(6.88) [174,7]	(5.02) [127,6]
4 X 3/4 X 1/2		(8.25) [209,6]	(4.79) [121,8]	(5.16) [131,2]	2.13 [54,0]			(2.16) [54,8]	(1.83) [46,4]	(3.31) [84,2]	(3.57) [90,8]	(3.34) [84,7]	(3.60) [91,4]	(9.88) [251,1]	(6.97) [176,9]	(7.44) [188,9]	(5.58) [141,7]
1 X 1 X 1/2		(7.25) [184,2]	(3.24) [82,2]	(4.48) [113,9]	1.63 [41,3]	2.50 [63,5]	2.75 [69,9]	(0.60) [15,3]	(0.51) [13,1]	(2.32) [59,0]	(3.38) [85,9]	(1.70) [43,2]	(2.76) [70,1]	(8.73) [221,7]	(5.81) [147,6]	(5.80) [147,4]	(3.95) [100,2]
1-1/2 X 1 X 1/2			(3.50) [89,0]	(3.87) [98,4]		2.50 [63,5]		(0.87) [22,1]	(0.77) [19,5]	(2.55) [64,9]	(3.43) [87,2]	(1.95) [49,6]	(2.83) [72,0]	(8.99) [228,2]	(6.07) [154,1]	(6.05) [153,8]	(4.20) [106,6]
2 X 1 X 1/2	(6.51) [165,4]		(3.77) [95,7]	(4.14) [105,1]				(1.13) [28,8]	(1.02) [25,8]	(2.78) [70,7]	(3.05) [77,4]	(2.16) [55,0]	(2.43) [61,6]	(9.23) [234,5]	(6.31) [160,4]	(6.26) [159,1]	(4.41) [112,0]
2-1/2 X 1 X 1/2		(7.75) [196,9]	(4.03) [102,4]	(4.40) [111,8]	1.88 [47,6]	1.63 [41,3]	1.63 [41,3]	(1.40) [35,5]	(1.21) [30,7]	(2.98) [75,6]	(3.24) [82,2]	(2.47) [62,7]	(2.73) [69,4]	(9.42) [239,3]	(6.51) [165,2]	(6.57) [166,8]	(4.71) [119,7]
3 X 1 X 1/2			(4.29) [109,0]	(4.66) [118,4]				(1.66) [42,1]	(1.37) [34,8]	(3.17) [80,4]	(3.43) [87,1]	(2.78) [70,6]	(3.04) [77,2]	(9.59) [243,5]	(6.67) [169,4]	(6.88) [174,7]	(5.02) [127,6]
4 X 1 X 1/2		(8.25) [209,6]	(4.79) [121,8]	(5.16) [131,2]	2.13 [54,0]			(2.16) [54,8]	(1.67) [42,4]	(3.17) [80,6]	(3.43) [87,2]	(3.30) [83,8]	(3.56) [90,4]	(9.88) [251,1]	(6.97) [176,9]	(7.40) [187,9]	(5.54) [140,8]
1-1/2 X 1-1/2 X 1/2			(8.63) [219,1]	(4.10) [104,2]	(4.47) [113,6]	1.63 [41,3]	2.00 [50,8]	(0.90) [22,8]	(0.75) [19,1]	(2.60) [66,1]	(3.13) [79,5]	(2.19) [55,7]	(2.72) [69,1]	(12.85) [326,4]	(7.86) [199,6]	(6.29) [159,8]	(4.44) [112,7]
2 X 1-1/2 X 1/2			(4.35) [110,6]	(4.72) [120,0]				(1.15) [29,2]	(0.75) [19,1]	(2.80) [71,2]	(3.33) [84,6]	(2.23) [56,6]	(2.75) [69,9]	(12.85) [326,4]	(7.86) [199,6]	(6.33) [160,7]	(4.47) [113,6]
2-1/2 X 1-1/2 X 1/2	(7.89) [200,3]		(4.62) [117,4]	(4.99) [126,8]	1.88 [47,6]	1.63 [41,3]		(1.42) [36,0]	(1.01) [25,7]	(3.00) [76,2]	(3.26) [82,8]	(2.48) [62,9]	(2.74) [69,5]	(13.11) [333,0]	(8.12) [206,3]	(6.58) [167,0]	(4.72) [119,9]
3 X 1-1/2 X 1/2			(4.88) [124,1]	(5.25) [133,5]				(1.68) [42,7]	(1.23) [31,2]	(3.12) [79,3]	(3.38) [85,9]	(2.77) [70,3]	(3.03) [76,9]	(13.33) [338,5]	(8.34) [211,8]	(6.87) [174,4]	(5.01) [127,3]
4 X 1-1/2 X 1/2		(9.63) [244,5]	(5.39) [136,9]	(5.76) [146,3]	2.13 [54,0]			(2.18) [55,5]	(1.57) [39,8]	(3.27) [83,1]	(3.53) [89,8]	(3.33) [84,5]	(3.59) [91,1]	(13.67) [347,1]	(8.68) [220,4]	(7.42) [188,6]	(5.57) [141,5]
2 X 2 X 1/2			(4.41) [111,9]	(5.15) [130,8]		2.00 [50,8]	2.00 [50,8]	(1.17) [29,7]	(0.75) [19,1]	(2.85) [72,5]	(3.38) [85,9]	(2.50) [63,5]	(3.03) [76,9]	(13.53) [343,7]	(8.54) [216,9]	(6.60) [167,6]	(4.74) [120,5]
2-1/2 X 2 X 1/2		(8.40) [213,4]	(4.66) [118,3]	(5.28) [134,1]	1.88 [47,6]			(1.42) [36,2]	(0.80) [20,3]	(3.04) [77,1]	(3.56) [90,5]	(2.55) [64,7]	(3.07) [78,1]	(13.58) [344,9]	(8.59) [218,2]	(6.65) [168,8]	(4.79) [121,7]
3 X 2 X 1/2			(4.92) [125,0]	(5.54) [140,7]		1.88 [47,6]	1.63 [41,3]	(1.69) [42,8]	(0.98) [25,0]	(3.16) [80,2]	(3.42) [86,8]	(2.78) [70,5]	(3.04) [77,2]	(13.76) [349,6]	(8.77) [222,9]	(6.88) [174,7]	(5.02) [127,5]
4 X 2 X 1/2			(10.14) [257,6]	(5.42) [137,8]	(6.04) [153,5]	2.13 [54,0]		(2.19) [55,6]	(1.33) [33,7]	(3.24) [82,2]	(3.50) [88,9]	(3.32) [84,2]	(3.58) [90,9]	(14.11) [358,3]	(9.12) [231,6]	(7.42) [188,3]	(5.56) [141,2]

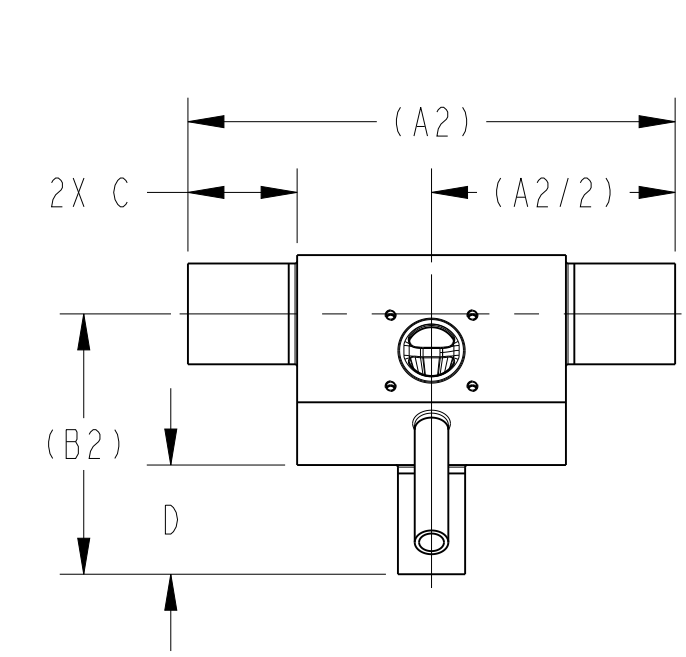
FOR BODY MACHINING DETAIL REFER TO DRAWING 124317



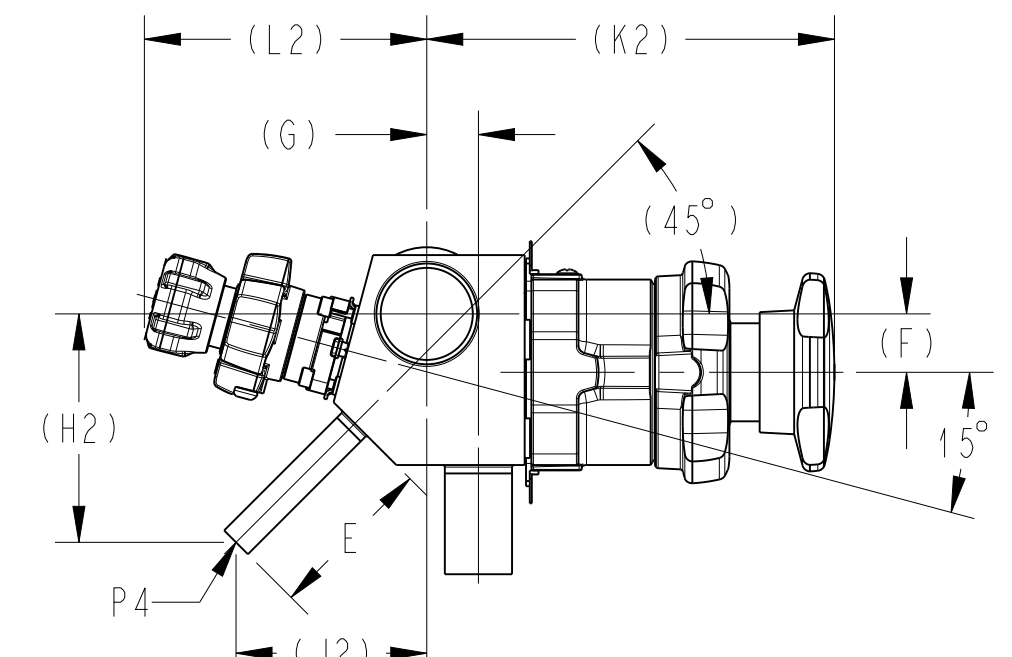
ISOMETRIC VIEW



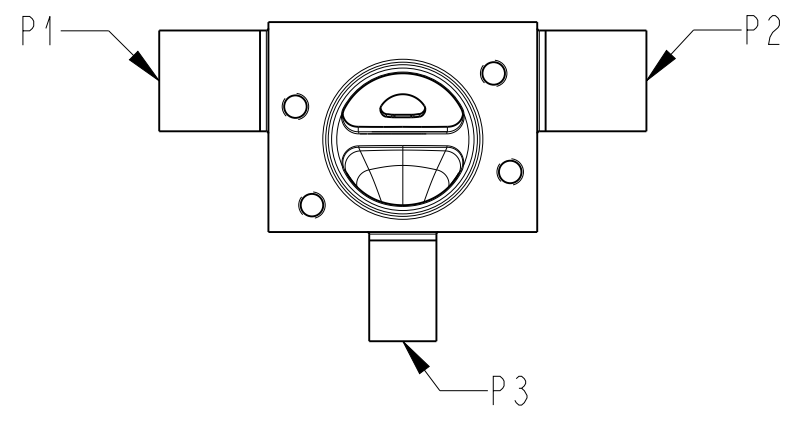
ISOMETRIC VIEW



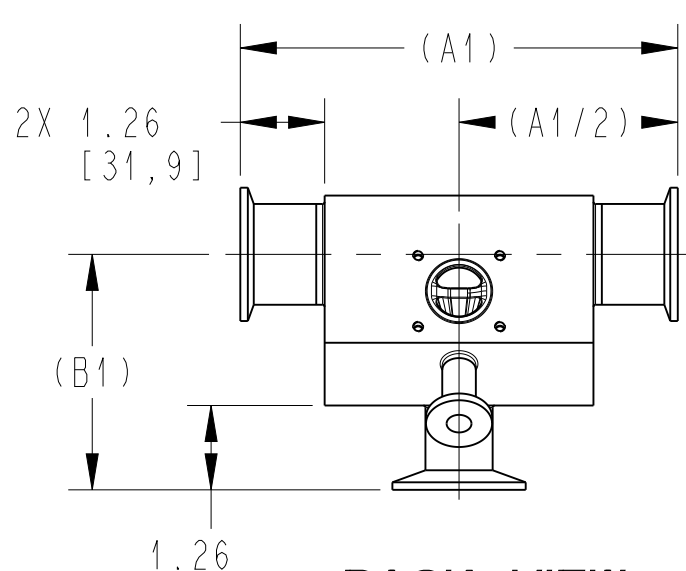
BACK VIEW



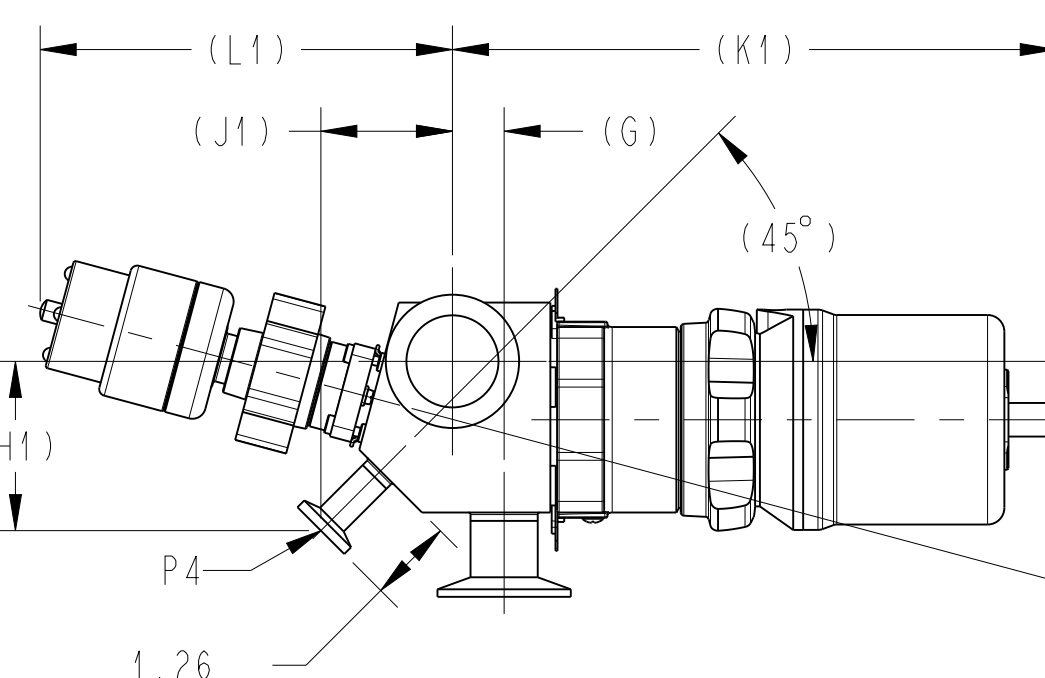
SIDE VIEW



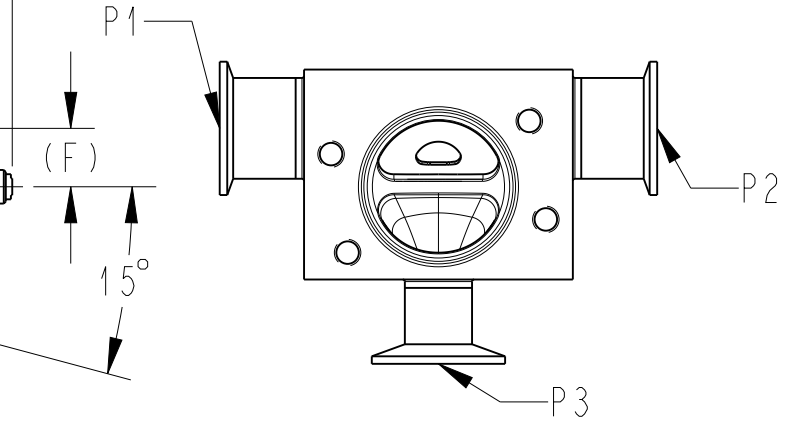
FRONT VIEW



BACK VIEW



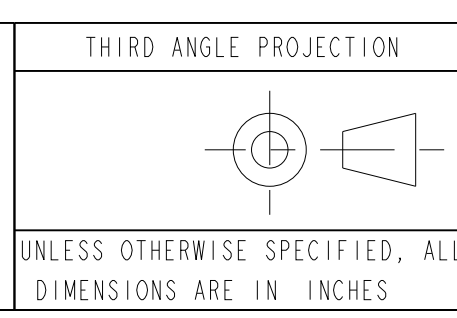
SIDE VIEW



FRONT VIEW

PURE-FLO ORDER: - ITEM: -
 CUSTOMER: -
 CUSTOMER PO: -
 OTHER INFO: -

THIS DOCUMENT IS THE SOLE PROPERTY OF ITT CORPORATION, OR ITS SUBSIDIARY, AND IS PROVIDED SUBJECT TO RETURN. IT IS ISSUED IN STRICT CONFIDENCE AND SHALL NOT BE REPRODUCED, OR COPIED, OR DISCLOSED IN WHOLE OR IN PART, OR USED AS THE BASIS FOR THE MANUFACTURE OR SALES OF APPARATUS OR PARTS TO WHICH THE DOCUMENT RELATES, WITHOUT THE EXPRESS WRITTEN CONSENT OF ITT CORPORATION, OR ITS SUBSIDIARY. THIS LEGEND SHALL BE MARKED ON ANY REPRODUCTION HEREOF, IN WHOLE OR IN PART. ALL RIGHTS TO THE INFORMATION AND DESIGN DISCLOSED HEREIN ARE RESERVED TO ITT CORPORATION, OR ITS SUBSIDIARY.

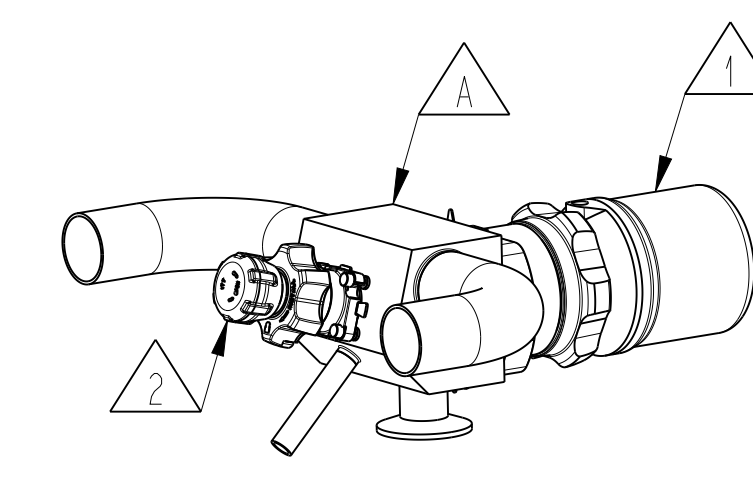
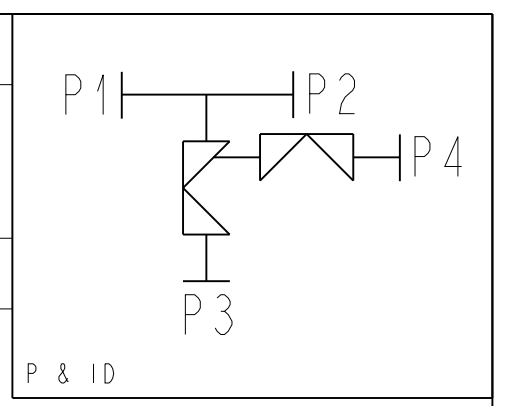


UNLESS OTHERWISE NOTED
 INCH MM
 X ± 0.06 X ± 1.5
 XX ± 0.06 XX ± 1.5
 XXX ±

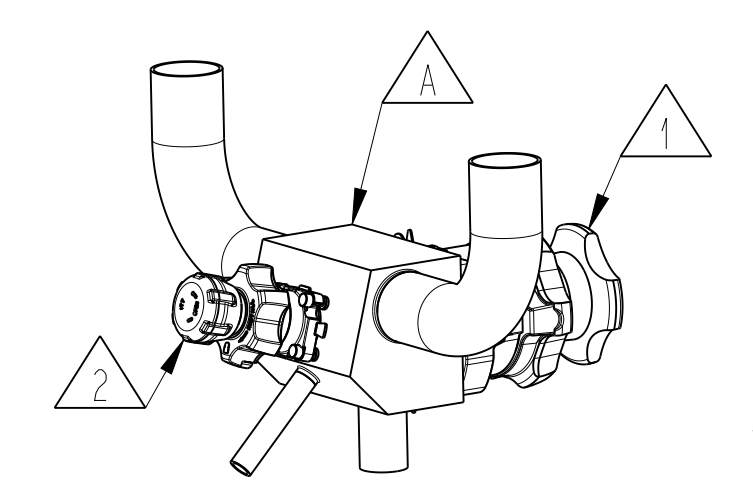
RUN X W2 X BV	A	B1	B2	C	D	E	F	G	H1	H2	J1	J2	K1	K2	L1	L2	M1	M2
1/2 X 1/2 X 1/2		1.63				2.50	(0.33)	(0.53)	(2.88)	(4.13)	(2.15)	(3.03)	(1.32)	(2.20)	(4.45)	(6.97)	(3.56)	(5.42)
3/4 X 1/2 X 1/2	(8.85)	[41,3]	3.00	3.13	2.50	2.25	(0.46)	(0.60)	(2.96)	(4.21)	(2.23)	(2.93)	(1.54)	(2.24)	(4.52)	(7.04)	(3.78)	(5.64)
1 X 1/2 X 1/2		2.00					(0.59)	(0.73)	(3.09)	(4.34)	(2.32)	(3.03)	(1.70)	(2.41)	(4.65)	(7.18)	(3.95)	(5.80)
1-1/2 X 1/2 X 1/2	(10.35)	[262,9]	2.75	3.75	3.88		(0.85)	(0.97)	(3.31)	(3.68)	(2.50)	(2.76)	(1.96)	(2.22)	(4.89)	(7.42)	(4.20)	(6.06)
2 X 1/2 X 1/2	(12.35)	[313,7]	3.50	4.75	4.88		(1.12)	(1.14)	(3.52)	(3.89)	(2.68)	(2.94)	(2.19)	(2.45)	(5.07)	(7.59)	(4.43)	(6.29)
2-1/2 X 1/2 X 1/2	(13.85)	[351,8]	4.25	5.50	5.63	1.63	(1.38)	(1.30)	(3.65)	(4.02)	(2.77)	(3.03)	(2.43)	(2.69)	(5.23)	(7.75)	(4.67)	(6.52)
3 X 1/2 X 1/2	(15.35)	[389,9]	5.00	6.25	6.38		(1.64)	(1.45)	(3.91)	(4.28)	(2.96)	(3.22)	(2.72)	(2.99)	(5.37)	(7.89)	(4.97)	(6.82)
4 X 1/2 X 1/2	(18.85)	[478,8]	6.63	8.00	8.13		(2.14)	(1.75)	(4.41)	(4.78)	(3.29)	(3.55)	(3.33)	(3.59)	(5.67)	(8.20)	(5.57)	(7.43)
3/4 X 3/4 X 1/2	(8.85)	[41,3]	3.00	3.13	2.50	2.50	(0.46)	(0.44)	(2.96)	(4.21)	(2.23)	(3.11)	(1.54)	(2.42)	(4.52)	(7.04)	(3.78)	(5.64)
1 X 3/4 X 1/2		2.00					(0.59)	(0.57)	(3.09)	(4.34)	(2.32)	(3.20)	(1.70)	(2.58)	(4.65)	(7.18)	(3.95)	(5.80)
1-1/2 X 3/4 X 1/2	(10.35)	[262,9]	2.75	3.75	3.88		(0.85)	(0.81)	(3.31)	(3.68)	(2.50)	(2.76)	(1.96)	(2.22)	(4.89)	(7.42)	(4.20)	(6.06)
2 X 3/4 X 1/2	(12.35)	[313,7]	3.50	4.75	4.88		(1.12)	(0.99)	(3.52)	(3.89)	(2.68)	(2.94)	(2.19)	(2.45)	(5.07)	(7.59)	(4.43)	(6.29)
2-1/2 X 3/4 X 1/2	(13.85)	[351,8]	4.25	5.50	5.63	1.63	(1.38)	(1.15)	(3.65)	(4.02)	(2.77)	(3.03)	(2.43)	(2.69)	(5.23)	(7.75)	(4.67)	(6.52)
3 X 3/4 X 1/2	(15.35)	[389,9]	5.00	6.25	6.38		(1.64)	(1.29)	(3.91)	(4.28)	(2.96)	(3.22)	(2.72)	(2.99)	(5.37)	(7.89)	(4.97)	(6.82)
4 X 3/4 X 1/2	(18.85)	[478,8]	6.63	8.00	8.13		(2.14)	(1.60)	(4.41)	(4.78)	(3.29)	(3.55)	(3.33)	(3.59)	(5.67)	(8.20)	(5.57)	(7.43)
3/4 X 3/4 X 1/2	(10.25)	[260,4]	3.00	3.13	2.50	2.50	(0.47)	(0.56)	(3.11)	(4.35)	(2.23)	(3.11)	(1.53)	(2.41)	(5.70)	(8.62)	(3.78)	(5.63)
1 X 3/4 X 1/2		2.00					(0.60)	(0.67)	(3.24)	(4.48)	(2.32)	(3.20)	(1.70)	(2.58)	(5.81)	(8.73)	(3.95)	(5.80)
1-1/2 X 3/4 X 1/2	(11.75)	[298,5]	2.75	3.75	3.88		(0.87)	(0.93)	(3.50)	(3.87)	(2.55)	(2.82)	(1.95)	(2.22)	(6.07)	(8.99)	(4.20)	(6.05)
2 X 3/4 X 1/2	(13.75)	[349,3]	3.50	4.75	4.88		(1.13)	(1.17)	(3.77)	(4.14)	(2.78)	(3.05)	(2.16)	(2.43)	(6.31)	(9.23)	(4.41)	(6.26)
2-1/2 X 3/4 X 1/2	(15.25)	[387,4]	4.25	5.50	5.63	1.63	(1.40)	(1.37)	(4.03)	(4.40)	(2.98)	(3.24)	(2.47)	(2.73)	(6.51)	(9.42)	(4.71)	(6.57)
3 X 3/4 X 1/2	(16.75)	[425,5]	5.00	6.25	6.38		(1.66)	(1.53)	(4.29)	(4.66)	(3.17)	(3.43)	(2.78)	(3.04)	(6.67)	(9.59)	(5.02)	(6.88)
4 X 3/4 X 1/2	(20.25)	[514,4]	6.63	8.00	8.13		(2.16)	(1.83)	(4.79)	(5.16)	(3.31)	(3.57)	(3.34)	(3.60)	(6.97)	(9.88)	(5.58)	(7.44)
1 X 1 X 1/2	(10.25)	[260,4]	3.00	3.13	2.50	2.75	(0.60)	(0.51)	(3.24)	(4.48)	(2.32)	(3.38)	(1.70)	(2.76)	(5.81)	(8.73)	(3.95)	(5.80)
1-1/2 X 1 X 1/2	(11.75)	[298,5]	2.75	3.75	3.88	2.50	(0.87)	(0.77)	(3.50)	(3.87)	(2.55)	(3.43)	(1.95)	(2.83)	(6.07)	(8.99)	(4.20)	(6.05)
2 X 1 X 1/2	(13.75)	[349,3]	3.50	4.75	4.88		(1.13)	(1.02)	(3.77)	(4.14)	(2.78)	(3.05)	(2.16)	(2.43)	(6.31)	(9.23)	(4.41)	(6.26)
2-1/2 X 1 X 1/2	(15.25)	[387,4]	4.25	5.50	5.63	1.63	(1.40)	(1.21)	(4.03)	(4.40)	(2.98)	(3.24)	(2.47)	(2.73)	(6.51)	(9.42)	(4.71)	(6.57)
3 X 1 X 1/2	(16.75)	[425,5]	5.00	6.25	6.38		(1.66)	(1.37)	(4.29)	(4.66)	(3.17)	(3.43)	(2.78)	(3.04)	(6.67)	(9.59)	(5.02)	(6.88)
4 X 1 X 1/2	(20.25)	[514,4]	6.63	8.00	8.13		(2.16)	(1.67)	(4.79)	(5.16)	(3.31)	(3.57)	(3.34)	(3.60)	(6.97)	(9.88)	(5.58)	(7.44)
1-1/2 X 1-1/2 X 1/2	(13.13)	[333,4]	2.75	3.75	3.88	2.00	(0.90)	(0.75)	(4.10)	(4.47)	(2.60)	(3.13)	(2.19)	(2.72)	(7.86)	(12.85)	(4.44)	(6.29)
2 X 1-1/2 X 1/2	(15.13)	[384,2]	3.50	4.75	4.88		(1.15)	(0.75)	(4.35)	(4.72)	(2.80)	(3.33)	(2.23)	(2.75)	(7.86)	(12.85)	(4.47)	(6.33)
2-1/2 X 1-1/2 X 1/2	(16.63)	[422,3]	4.25	5.50	5.63	1.63	(1.42)	(1.01)	(4.62)	(4.99)	(3.00)	(3.26)	(2.48)	(2.74)	(8.12)	(13.11)	(4.72)	(6.58)
3 X 1-1/2 X 1/2	(18.13)	[460,4]	5.00	6.25	6.38		(1.68)	(1.23)	(4.88)	(5.25)	(3.12)	(3.38)	(2.77)	(3.03)	(8.34)	(13.33)	(5.01)	(6.87)
4 X 1-1/2 X 1/2	(21.63)	[549,3]	6.63	8.00	8.13		(2.18)	(1.57)	(5.39)	(5.76)	(3.27)	(3.53)	(3.33)	(3.59)	(8.68)	(13.67)	(5.57)	(7.42)
2 X 2 X 1/2	(15.64)	[397,3]	3.50	4.75	4.88	2.00	(1.17)	(0.75)	(4.41)	(5.15)	(2.85)	(3.38)	(2.50)	(3.03)	(8.54)	(13.53)	(4.74)	(6.60)
2-1/2 X 2 X 1/2	(17.14)	[435,4]	4.25	5.50	5.63		(1.42)	(0.80)	(4.66)	(5.28)	(3.04)	(3.56)	(2.55)	(3.07)	(8.59)	(13.58)	(4.79)	(6.65)
3 X 2 X 1/2	(18.64)	[473,5]	5.00	6.25	6.38	1.88	(1.69)	(0.98)	(4.92)	(5.54)	(3.16)	(3.42)	(2.78)	(3.04)	(8.77)	(13.76)	(5.02)	(6.88)
4 X 2 X 1/2	(22.14)	[562,4]	6.63	8.00	8.13		(2.19)	(1.33)	(5.42)	(6.04)	(3.24)	(3.50)	(3.32)	(3.58)	(9.12)	(14.11)	(5.56)	(7.42)

1. FOR BODY MACHINING DETAIL REFER TO DRAWING 124317
 2. INTERNAL WELD WILL BE LEFT IN THE AS WELDED CONDITION.

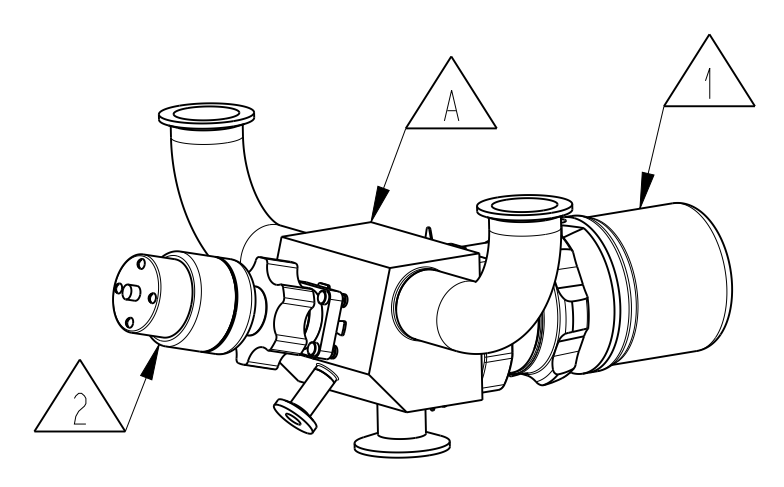
TAG NUMBERS		
A	1	2
VALVE ASSY	FIRST VALVE	SECOND VALVE
1		



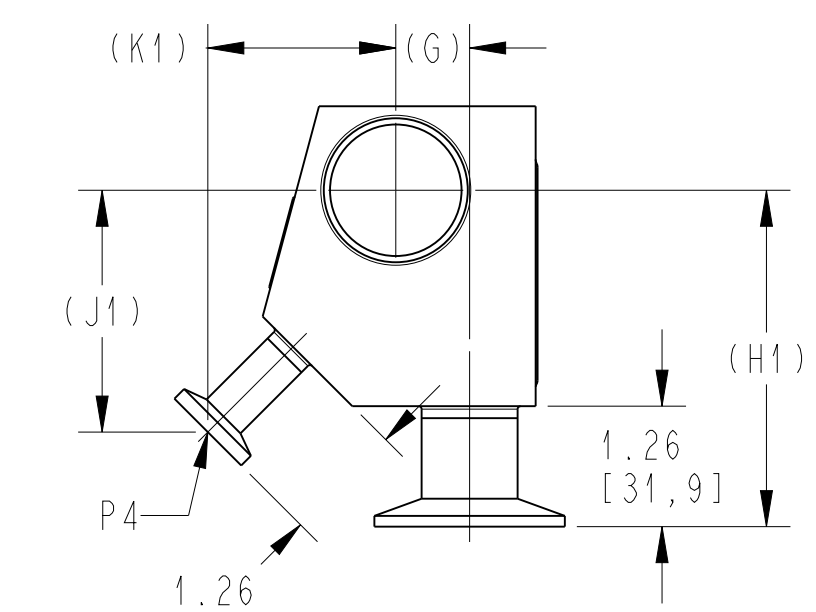
ISOMETRIC VIEW



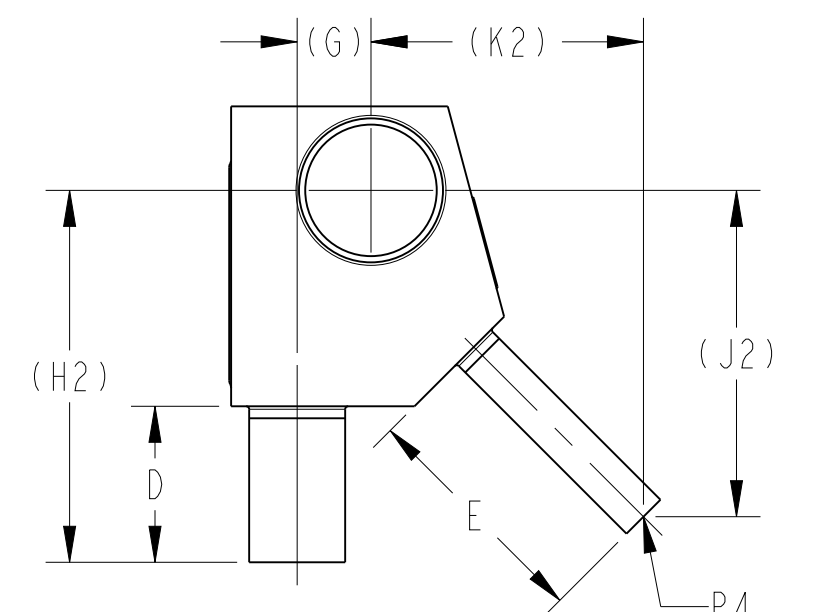
ISOMETRIC VIEW



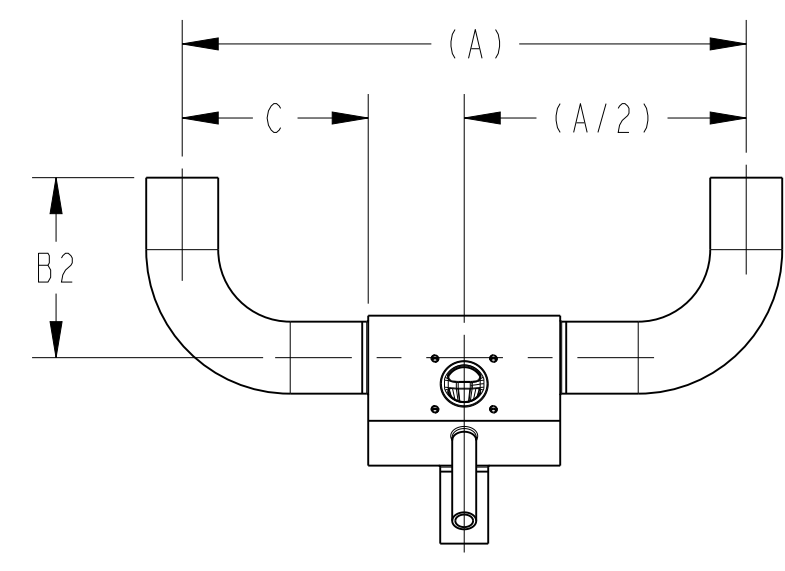
ISOMETRIC VIEW



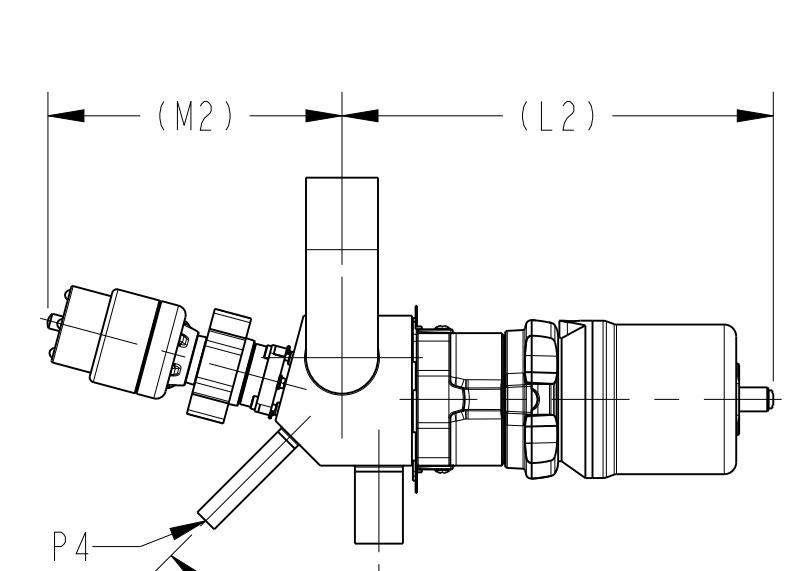
SIDE VIEW



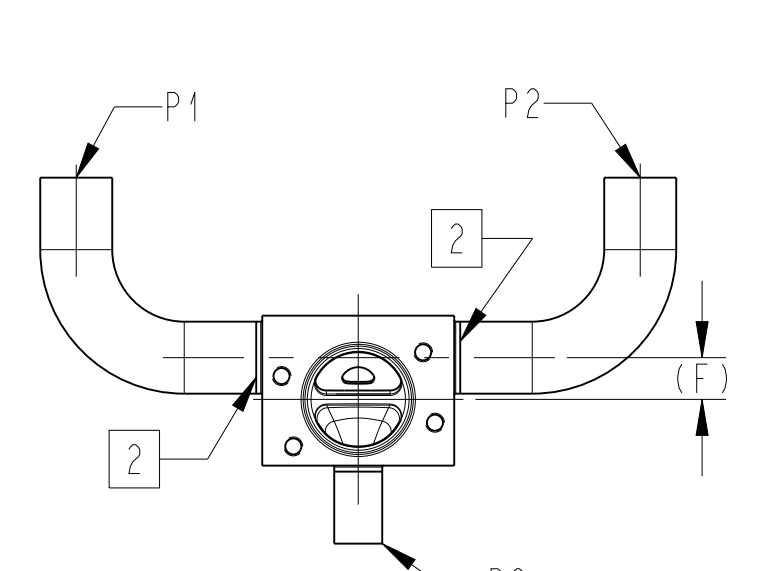
SIDE VIEW



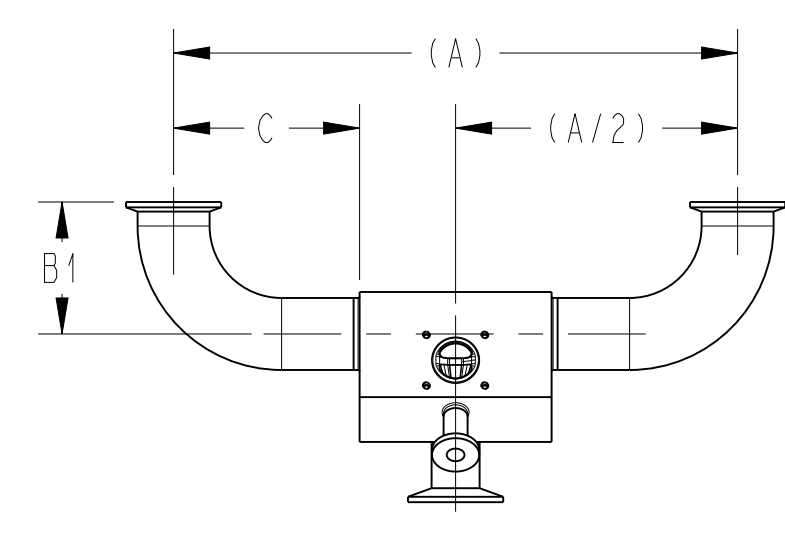
BACK VIEW



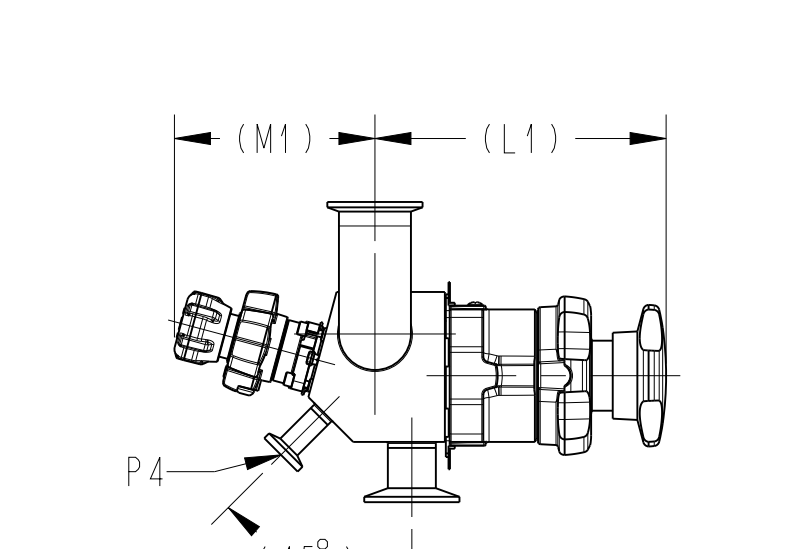
SIDE VIEW



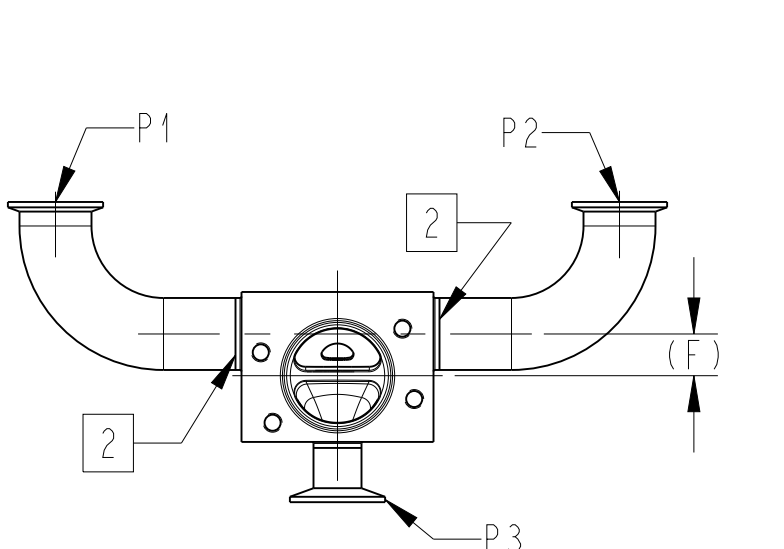
FRONT VIEW



BACK VIEW



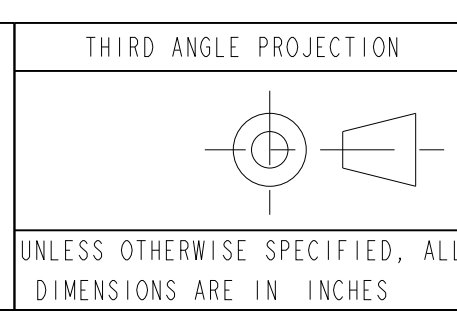
SIDE VIEW



FRONT VIEW

PURE-FLO ORDER: _____ ITEM: _____
 CUSTOMER: _____
 CUSTOMER PO: _____
 OTHER INFO: _____

THIS DOCUMENT IS THE SOLE PROPERTY OF ITT CORPORATION, OR ITS SUBSIDIARY, AND IS PROVIDED SUBJECT TO RETURN. IT IS ISSUED IN STRICT CONFIDENCE AND SHALL NOT BE REPRODUCED, OR COPIED, OR DISCLOSED IN WHOLE OR IN PART, OR USED AS THE BASIS FOR THE MANUFACTURE OR SALES OF APPARATUS OR PARTS TO WHICH THE DOCUMENT RELATES, WITHOUT THE EXPRESS WRITTEN CONSENT OF ITT CORPORATION, OR ITS SUBSIDIARY. THIS LEGEND SHALL BE MARKED ON ANY REPRODUCTION HEREOF, IN WHOLE OR IN PART. ALL RIGHTS TO THE INFORMATION AND DESIGN DISCLOSED HEREIN ARE RESERVED TO ITT CORPORATION, OR ITS SUBSIDIARY.



UNLESS OTHERWISE NOTED	
INCH	MM
X: ± 0.06	X: ± 1.5
XX: ± 0.06	XX: ± 1.5
XXX: ± 0.02	XXX: ± 0.5
X/X: ± 0.02	X/X: ± 0.5
X ^o : ± 1°	X ^o : ± 1°

DATE	BY	ZERO STATIC BACK TO BACK ENVIZION X BIOVIZION ASSEMBLY	
DWN 03/20/19	LFV		
CHKD 03/20/19	MMA		
APVD 03/20/19	MMA		

ITT
 Pure-Flo
 www.ittpureflo.com

D	A31425	SHEET 2 OF 2	REV -
MASTER DWG:	A31425/-	ECN# 17543	ISSUE BY: -