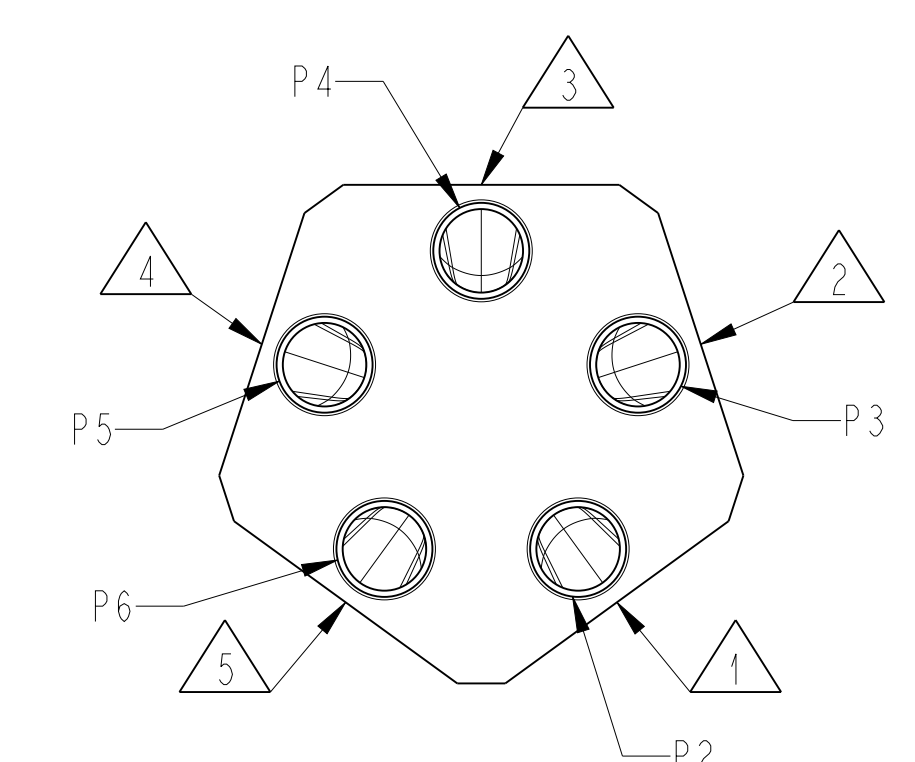


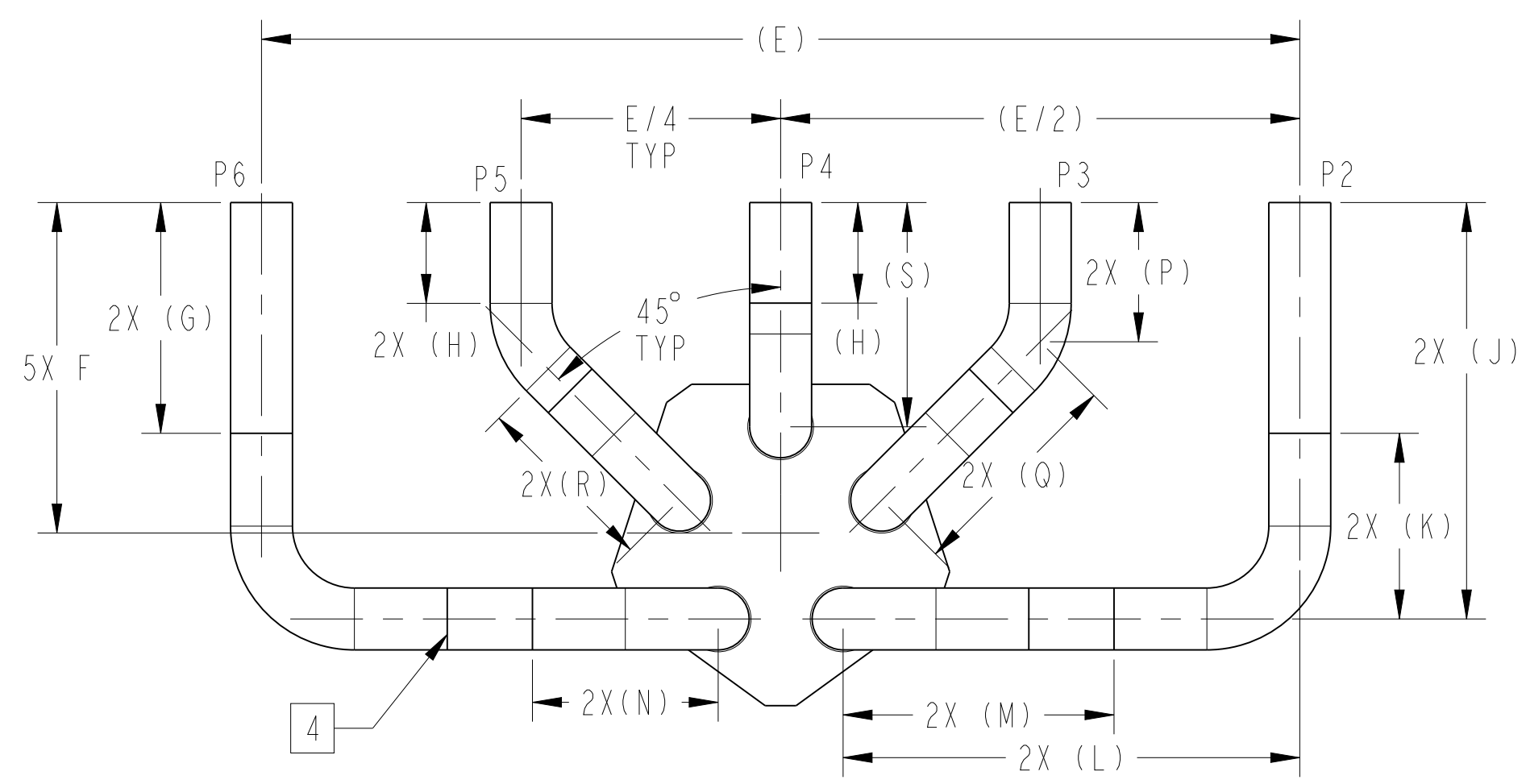
VALVE SIZE	A	B	B1	C	C1	D	E	F	F1	G	G1	H	J	J1	K	L	M	N	P	P1	Q	R	S	S1
1/4" BP/BT	1.63 [41,3]	(2.38) [60,3]	(2.01) [50,9]	(5.88) [149,2]	(5.51) [139,8]	2.75 [69,9]	(11.96) [303,8]	4.34 [110,1]	3.34 [84,7]	(2.54) [64,4]	(1.04) [26,3]	(1.50) [38,1]	(5.16) [131,1]	(4.16) [105,7]	(2.63) [66,7]	(5.38) [136,7]	(2.76) [70,0]	(2.63) [66,7]	(2.00) [50,8]	(1.00) [25,4]	(2.86) [72,6]	(2.63) [66,7]	(3.32) [84,2]	(2.32) [58,8]
3/8" BP/BT	1.63 [41,3]	(2.38) [60,3]	(2.01) [50,9]	(5.88) [149,2]	(5.51) [139,8]	2.75 [69,9]	(12.62) [320,5]	4.50 [114,3]	3.50 [88,9]	(2.70) [68,6]	(1.20) [30,5]	(1.50) [38,1]	(5.33) [135,3]	(4.33) [109,9]	(2.63) [66,7]	(5.71) [145,1]	(3.09) [78,4]	(2.63) [66,7]	(2.00) [50,8]	(1.00) [25,4]	(3.09) [78,5]	(2.63) [66,7]	(3.48) [88,4]	(2.48) [63,0]
1/2" BP/BT	1.63 [41,3]	(2.38) [60,3]	(2.01) [50,9]	(6.25) [158,8]	(5.88) [149,4]	3.13 [79,4]	(13.24) [336,3]	4.91 [124,6]	3.66 [92,9]	(2.73) [69,3]	(0.98) [24,9]	(1.75) [44,5]	(5.73) [145,5]	(4.48) [113,8]	(3.00) [76,2]	(6.02) [152,9]	(3.02) [76,7]	(3.00) [76,2]	(2.25) [57,2]	(1.00) [25,4]	(3.31) [84,1]	(3.00) [76,2]	(3.89) [98,7]	(2.64) [67,0]
1/2" PF	1.63 [41,3]	(2.56) [65,1]	(2.19) [55,7]	(6.63) [168,3]	(6.26) [158,9]	3.13 [79,4]	(14.39) [365,5]	5.00 [127,0]	3.75 [95,2]	(3.07) [77,9]	(1.32) [33,5]	(1.75) [44,5]	(6.07) [154,1]	(4.82) [122,4]	(3.00) [76,2]	(6.42) [163,0]	(3.42) [86,8]	(3.00) [76,2]	(2.25) [57,2]	(1.00) [25,4]	(3.31) [84,1]	(3.00) [76,2]	(3.68) [93,5]	(2.43) [61,7]
3/4"	1.63 [41,3]	(2.81) [71,4]	(2.44) [62,0]	(7.13) [181,0]	(6.76) [171,6]	3.13 [79,4]	(15.55) [395,0]	5.17 [131,3]	3.92 [99,5]	(3.39) [86,1]	(1.64) [41,6]	(1.75) [44,5]	(6.39) [162,3]	(5.14) [130,5]	(3.00) [76,2]	(6.89) [174,9]	(3.89) [98,7]	(3.00) [76,2]	(2.25) [57,2]	(1.00) [25,4]	(3.47) [88,1]	(3.00) [76,2]	(3.66) [92,9]	(2.41) [61,2]
1"	1.63 [41,3]	(3.00) [76,2]	(2.63) [66,8]	(7.50) [190,5]	(7.13) [181,1]	3.13 [79,4]	(16.77) [426,0]	5.34 [135,7]	4.22 [107,1]	(3.73) [94,7]	(2.10) [53,4]	(1.63) [41,3]	(6.73) [170,9]	(5.60) [142,3]	(3.00) [76,2]	(7.38) [187,4]	(4.38) [111,2]	(3.00) [76,2]	(2.25) [57,2]	(1.13) [28,6]	(3.62) [92,0]	(3.00) [76,2]	(3.62) [92,1]	(2.50) [63,5]
1-1/2"	1.63 [41,3]	(3.44) [87,3]	(3.07) [77,9]	(9.13) [231,8]	(8.76) [222,4]	3.88 [98,4]	(21.53) [546,9]	6.48 [164,7]	5.42 [137,7]	(4.50) [114,2]	(2.93) [74,5]	(1.56) [39,7]	(8.25) [209,5]	(7.18) [182,5]	(3.75) [95,3]	(9.48) [240,9]	(5.73) [145,7]	(3.75) [95,3]	(2.50) [63,5]	(1.44) [36,5]	(4.68) [118,9]	(3.75) [95,3]	(4.31) [109,4]	(3.24) [82,4]
2"	1.88 [47,6]	(4.00) [101,6]	(3.38) [85,9]	(11.00) [279,4]	(10.38) [263,7]	4.88 [123,8]	(26.90) [683,3]	8.05 [204,4]	6.80 [172,6]	(5.41) [137,5]	(3.66) [93,0]	(1.75) [44,5]	(10.16) [258,1]	(8.91) [226,4]	(4.75) [120,7]	(11.91) [302,6]	(7.16) [181,9]	(4.75) [120,7]	(3.00) [76,2]	(1.75) [44,5]	(5.99) [152,2]	(4.75) [120,7]	(5.43) [137,9]	(4.18) [106,1]
2-1/2"	1.88 [47,6]	(4.94) [125,4]	(4.32) [109,7]	(13.63) [346,1]	(13.01) [330,3]	5.63 [142,9]	(35.72) [907,3]	9.67 [245,6]	8.36 [212,3]	(7.49) [190,3]	(5.68) [144,3]	(1.81) [46,0]	(12.99) [330,0]	(11.68) [296,7]	(5.50) [139,7]	(15.45) [392,4]	(9.95) [252,7]	(5.50) [139,7]	(3.38) [85,7]	(2.06) [52,4]	(7.11) [180,5]	(5.50) [139,7]	(5.56) [141,3]	(4.25) [107,9]
3"	1.88 [47,6]	(4.94) [125,4]	(4.32) [109,7]	(14.38) [365,1]	(13.76) [349,4]	6.38 [161,9]	(37.62) [955,5]	10.55 [268,1]	9.30 [236,3]	(7.42) [188,6]	(5.67) [144,1]	(1.75) [44,5]	(13.67) [347,3]	(12.42) [315,6]	(6.25) [158,8]	(16.54) [420,2]	(10.29) [261,4]	(6.25) [158,8]	(3.63) [92,1]	(2.38) [60,3]	(8.11) [206,1]	(6.25) [158,8]	(6.70) [170,1]	(5.45) [138,3]

ITEM	DESCRIPTION
1	5DV BODY, (121269)
2	ELBOW 45 DEG WBXFT
3	ELBOW 45 DEG WBXTC
4	ELBOW 90 DEG BPE
5	FERRULE TRI-CLAMP BW
6	FERRULE TRI-CLAMP SW
7	TUBING

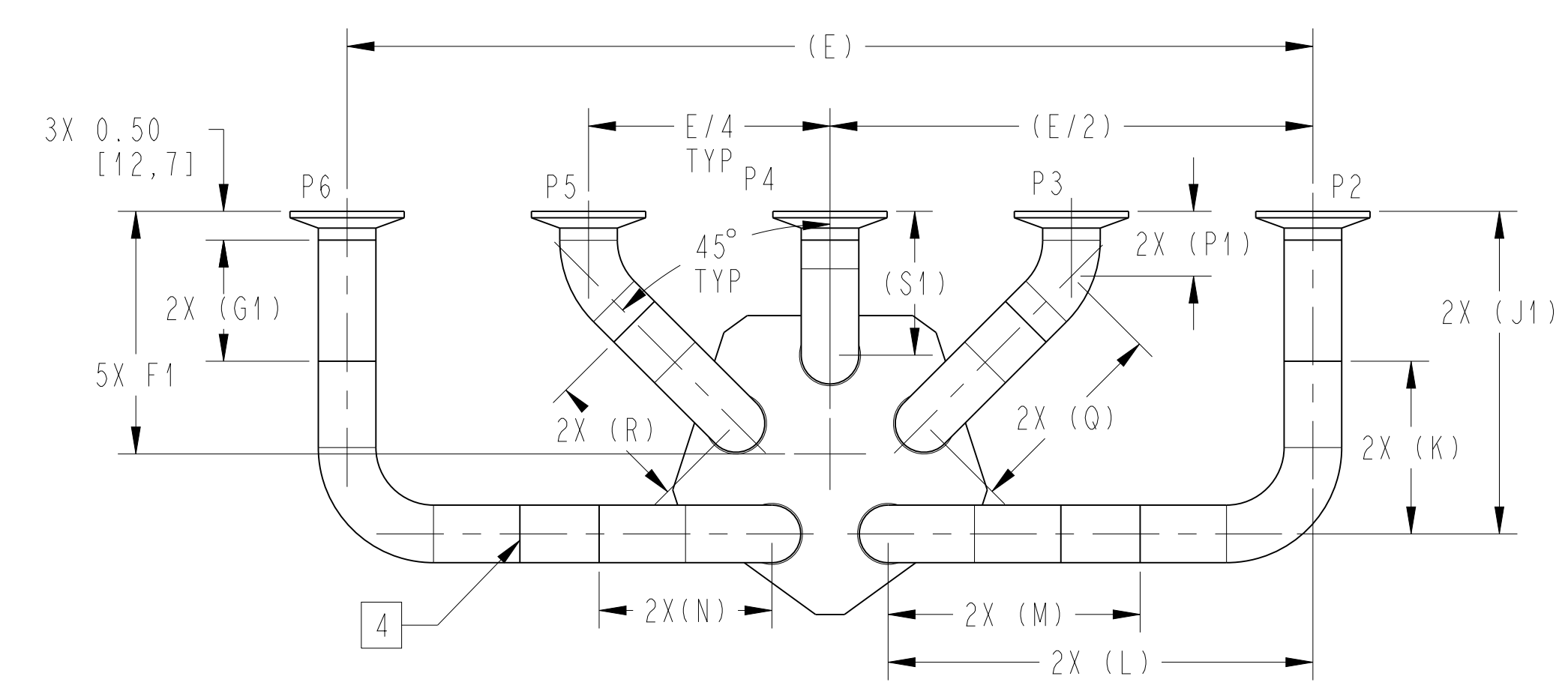


TAG NUMBERS					
VALVE ASSY	FIRST VALVE	SECOND VALVE	THIRD VALVE	FOURTH VALVE	FIFTH VALVE
1					

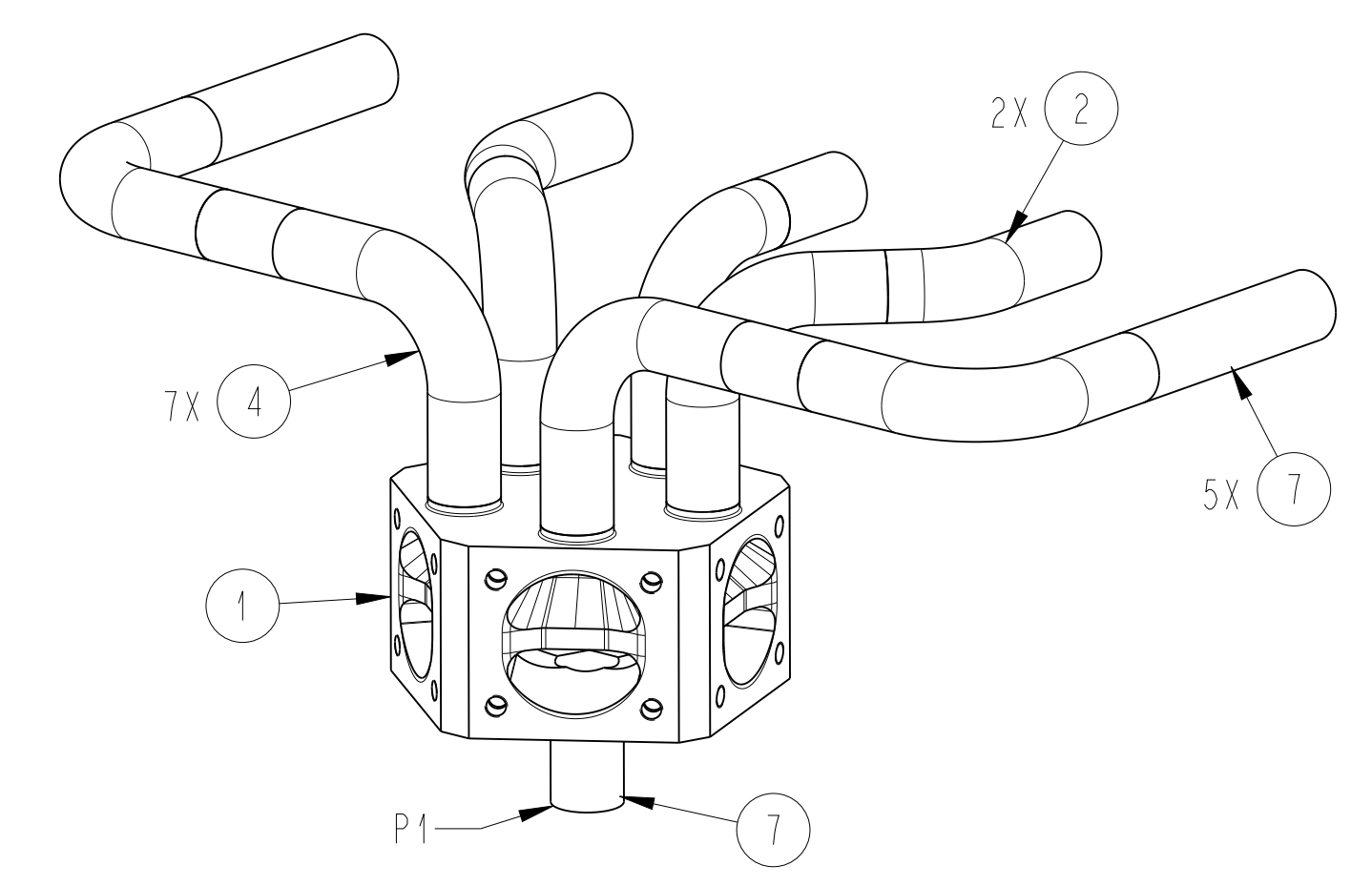
- NOTES:
- "P" NUMBERS INDICATE PORT CONNECTION
  - TUBE ENDS MEET OR EXCEED THE FOLLOWING TANGENT LENGTHS 1/4" - 1-1/2" = 1-1/2", 2" - 3" = 1-3/4"
  - VALVE MUST BE INSTALLED WITH P1 VERTICALLY (UP OR DOWN) FOR OPTIMAL DRAINABILITY.
  - ALL ELBOW WELD WILL BE IN AS WELDED CONDITION, EXCEPT WHERE CONNECTED TO FERRULE.
  - FOR SIZES 1/4" & 3/8" BENT TUBING MAY BE USED FOR FABRICATION



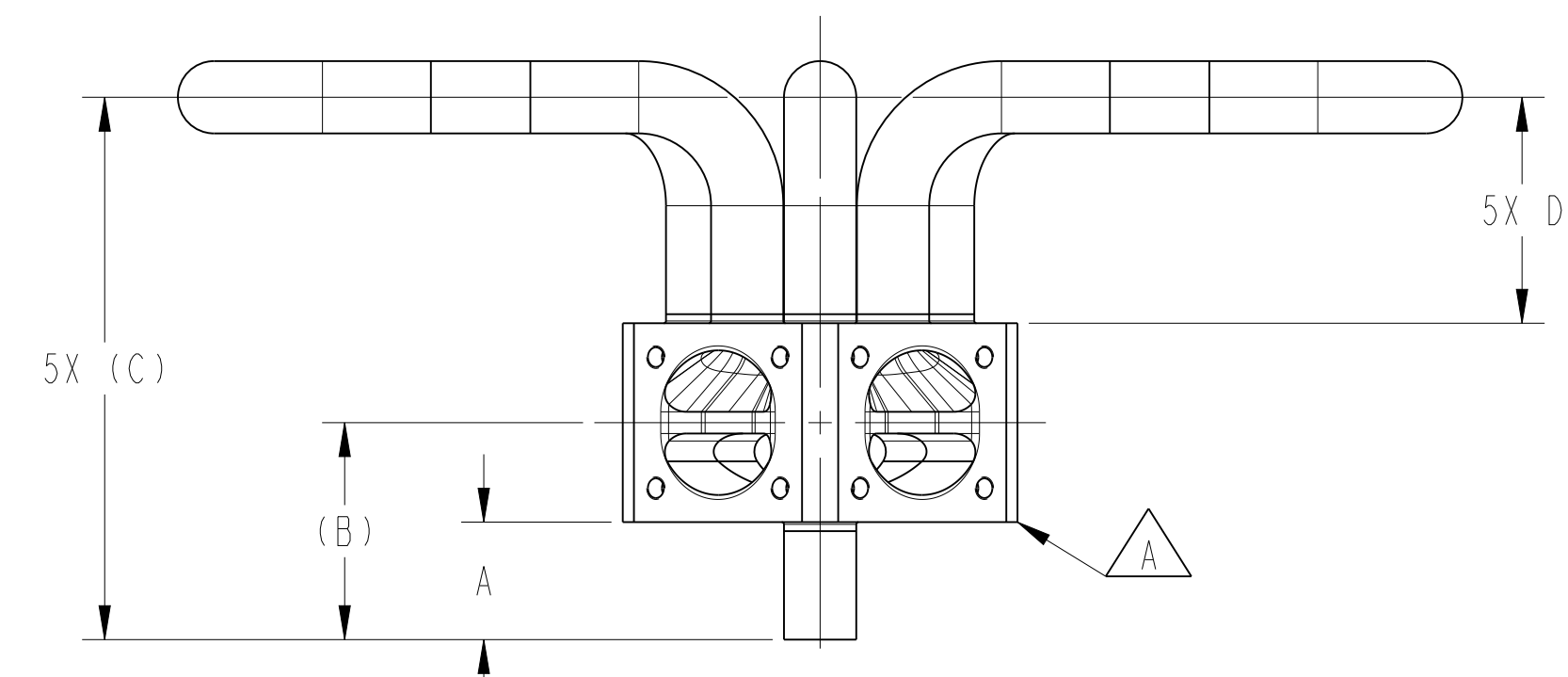
TOP VIEW



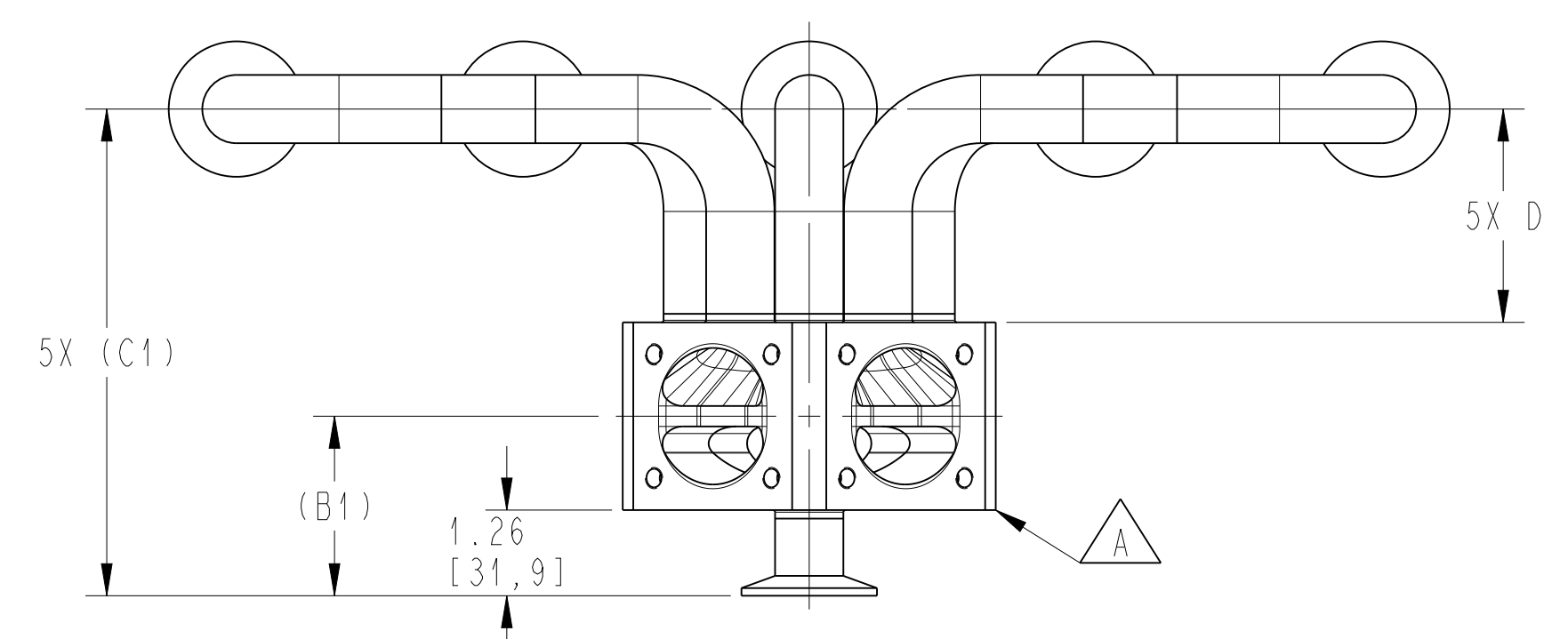
TOP VIEW



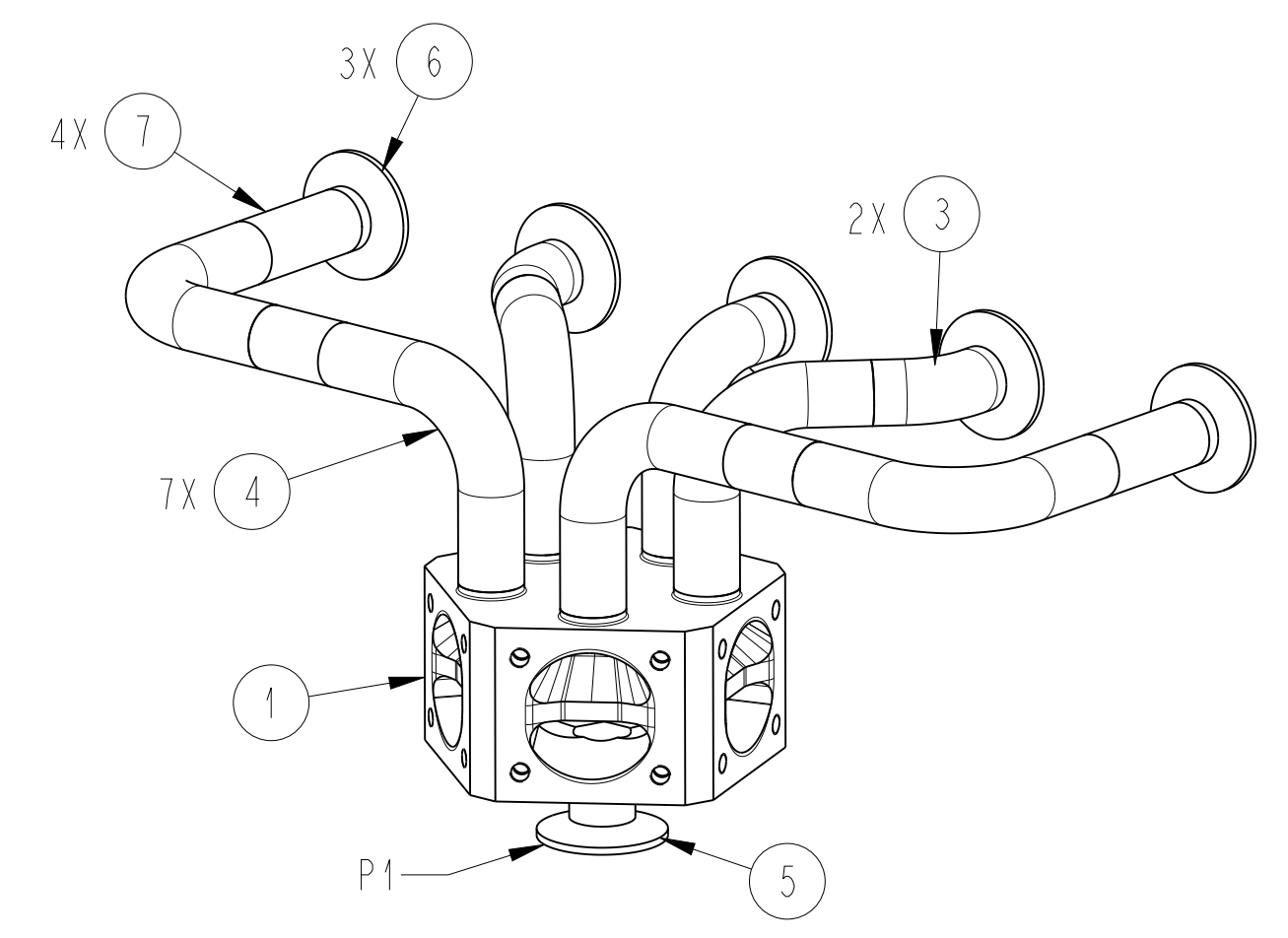
ISOMETRIC VIEW



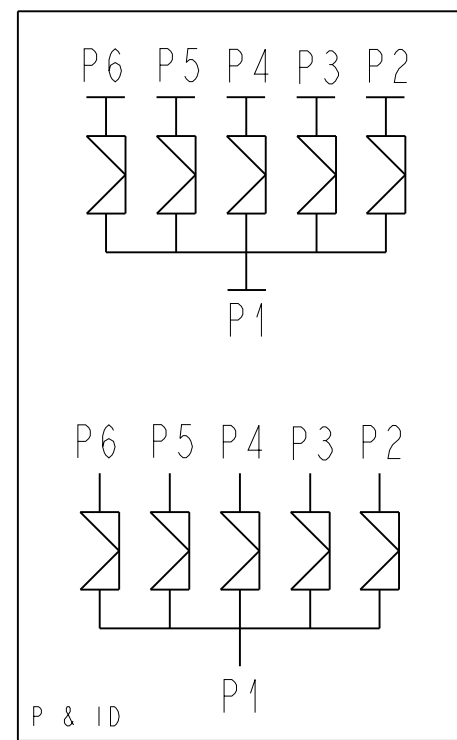
FRONT VIEW



FRONT VIEW

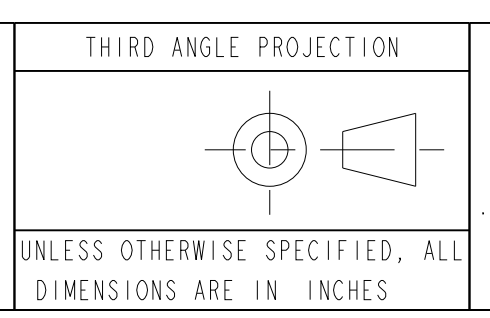


ISOMETRIC VIEW



PURE-FLO ORDER: \_\_\_\_\_ ITEM: \_\_\_\_\_  
 CUSTOMER: \_\_\_\_\_  
 CUSTOMER PO: \_\_\_\_\_  
 OTHER INFO: \_\_\_\_\_

THIS DOCUMENT IS THE SOLE PROPERTY OF ITT CORPORATION, OR ITS SUBSIDIARY, AND IS PROVIDED SUBJECT TO RETURN. IT IS ISSUED IN STRICT CONFIDENCE AND SHALL NOT BE REPRODUCED, OR COPIED, OR DISCLOSED IN WHOLE OR IN PART, OR USED AS THE BASIS FOR THE MANUFACTURE OR SALES OF APPARATUS OR PARTS TO WHICH THE DOCUMENT RELATES, WITHOUT THE EXPRESS WRITTEN CONSENT OF ITT CORPORATION, OR ITS SUBSIDIARY. THIS LEGEND SHALL BE MARKED ON ANY REPRODUCTION HEREOF, IN WHOLE OR IN PART. ALL RIGHTS TO THE INFORMATION AND DESIGN DISCLOSED HEREIN ARE RESERVED TO ITT CORPORATION, OR ITS SUBSIDIARY.



UNLESS OTHERWISE NOTED	
INCH	MM
x: ± 0.06	x: ± 1.5
.xx: ± 0.06	.xx: ± 1.5
.xxx: ± 0.02	.xxx: ± 0.5
x/xx: ± 0.02	x/xx: ± 0.5
x/xxx: ± 0.02	x/xxx: ± 0.5
x/xx: ± 0.02	x/xx: ± 0.5
x/xxx: ± 0.02	x/xxx: ± 0.5

DATE	BY
07/07/21	LFV
07/07/21	KRP
07/07/21	TJS

1/4" TO 3" 5-WAY DIVERT VALVE  
 ASSY. OPTION 3  
 TCE & AWE TABULATED

**ITT** Pure-Flo  
 www.ittpureflo.com

D A31589 SHEET 1 OF 1 REV A

MASTER DWG: A31589/A ECN# 18436 ISSUE BY: \_\_\_\_\_ CERT BY: \_\_\_\_\_