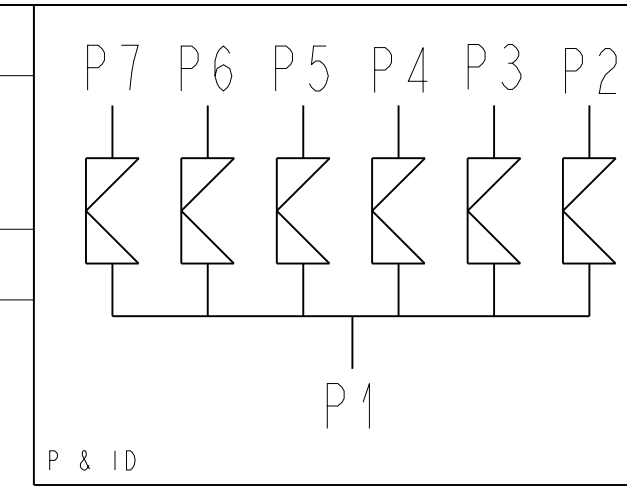


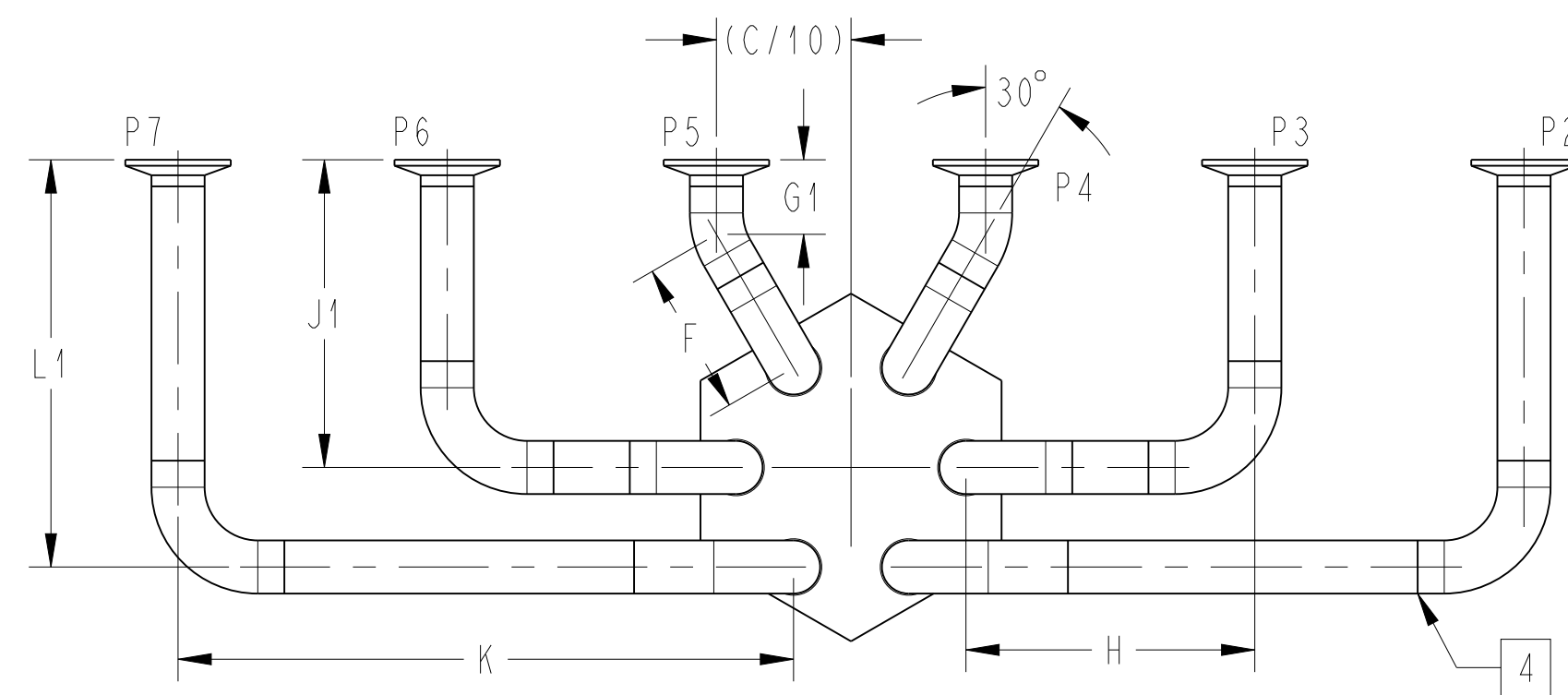
- NOTES:
 1. "P" INDICATED PORT CONNECTION.
 2. TUBE ENDS MEET OR EXCEEDS THE FOLLOWING TANGENT LENGTHS
 1/4" - 1-1/2" = 1-1/2", 2" - 3" = 1-3/4"
 3. VALVE MUST BE INSTALLED WITH P1 VERTICALLY (UP OR DOWN)
 FOR OPTIMAL DRAINABILITY.

④. ALL ELBOW WELD WILL BE IN AS WELDED CONDITION, EXCEPT WHERE CONNECTED TO FERRULE.

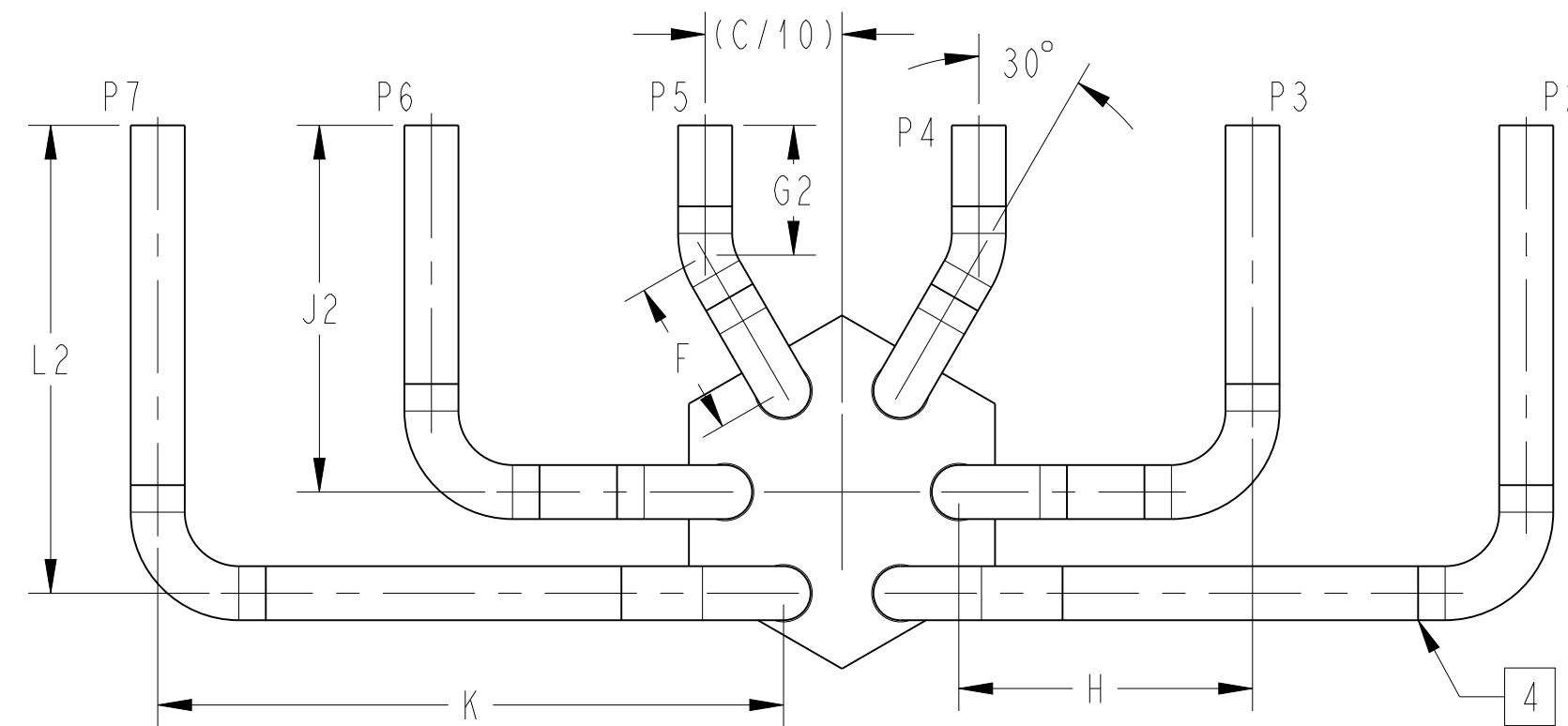
TAG NUMBERS							
	A	1	2	3	4	5	6
	VALVE ASSY	FIRST VALVE	SECOND VALVE	THIRD VALVE	FOURTH VALVE	FIFTH VALVE	SIXTH VALVE
1							



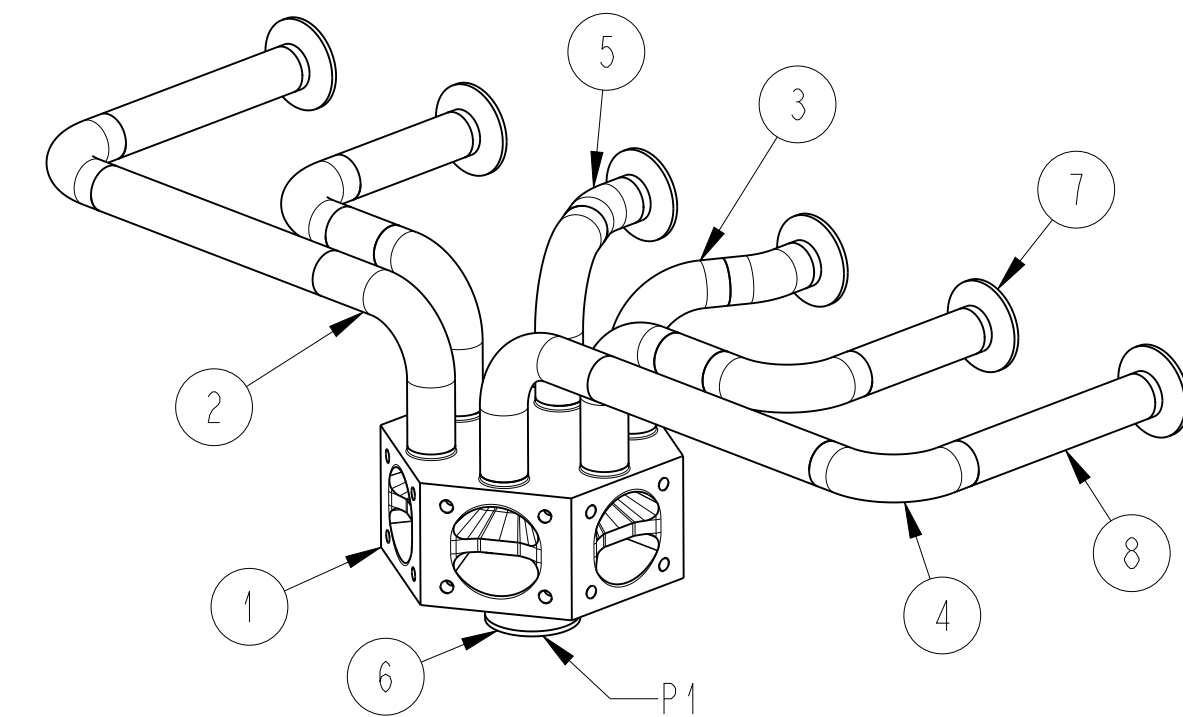
LIST OF MAJOR COMPONENTS	
ITEM	DESCRIPTION
1	6DV (121818)
2	ELBOW 90 DEG FTXFT
3	ELBOW 90 DEG FTXWB (123290)
4	ELBOW 90 DEG WBXWB (123290)
5	ELBOW 30-DEG WBXWB (124777)
6	FERRULE TRI-CLAMP BW
7	FERRULE TRI-CLAMP SW
8	TUBING



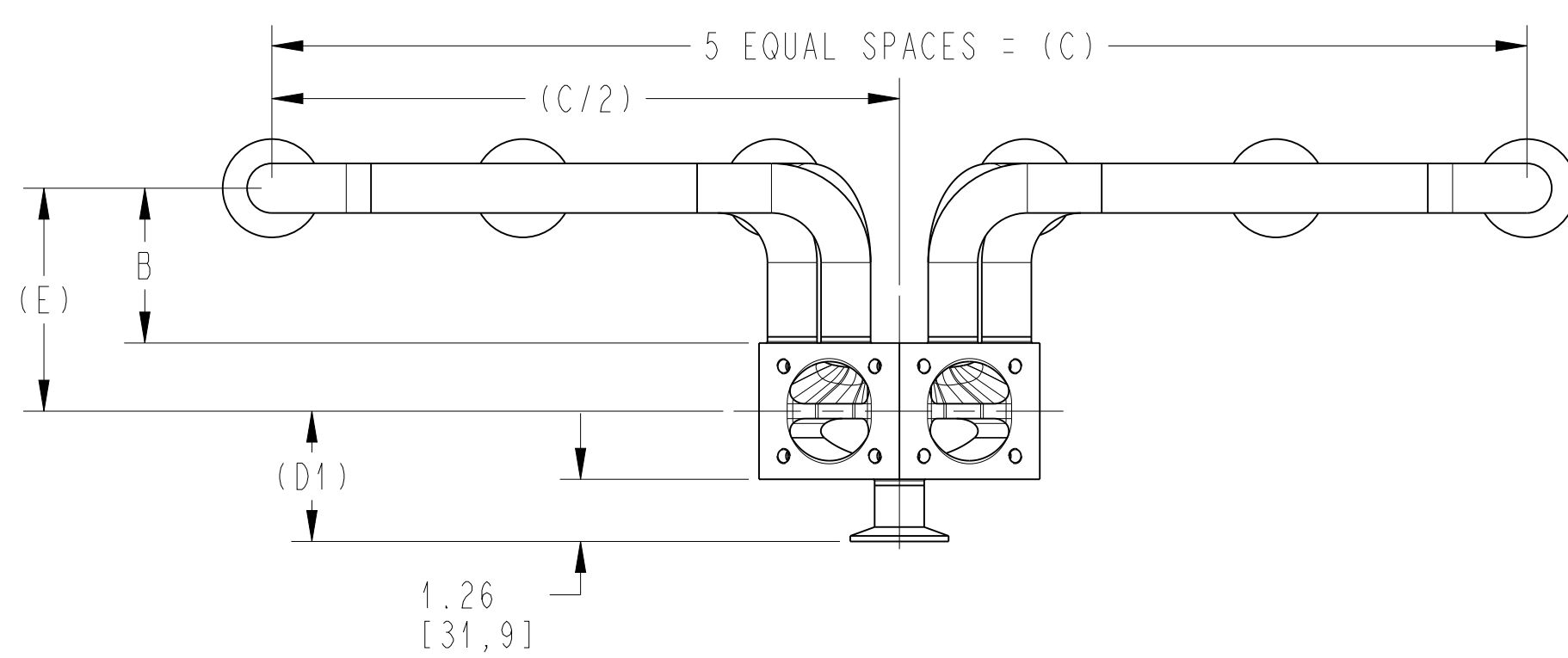
TOP VIEW TC ENDS



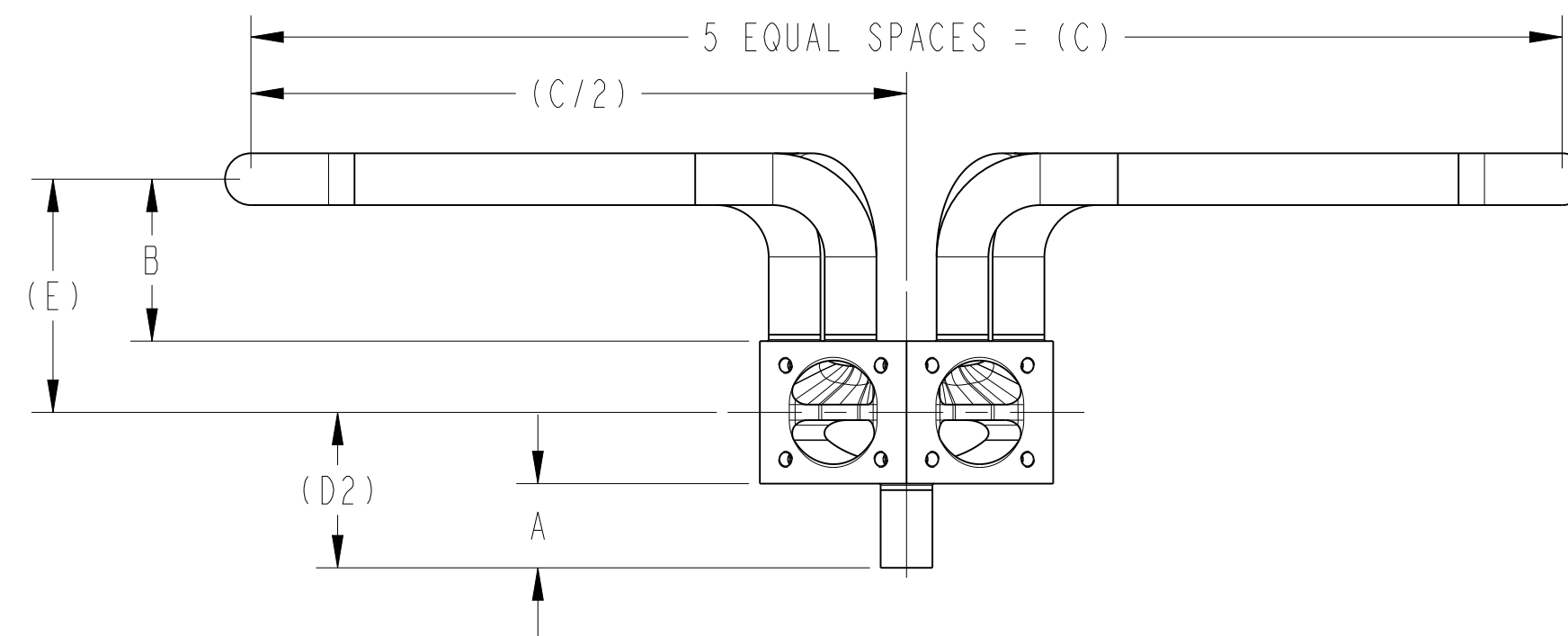
TOP VIEW AW ENDS



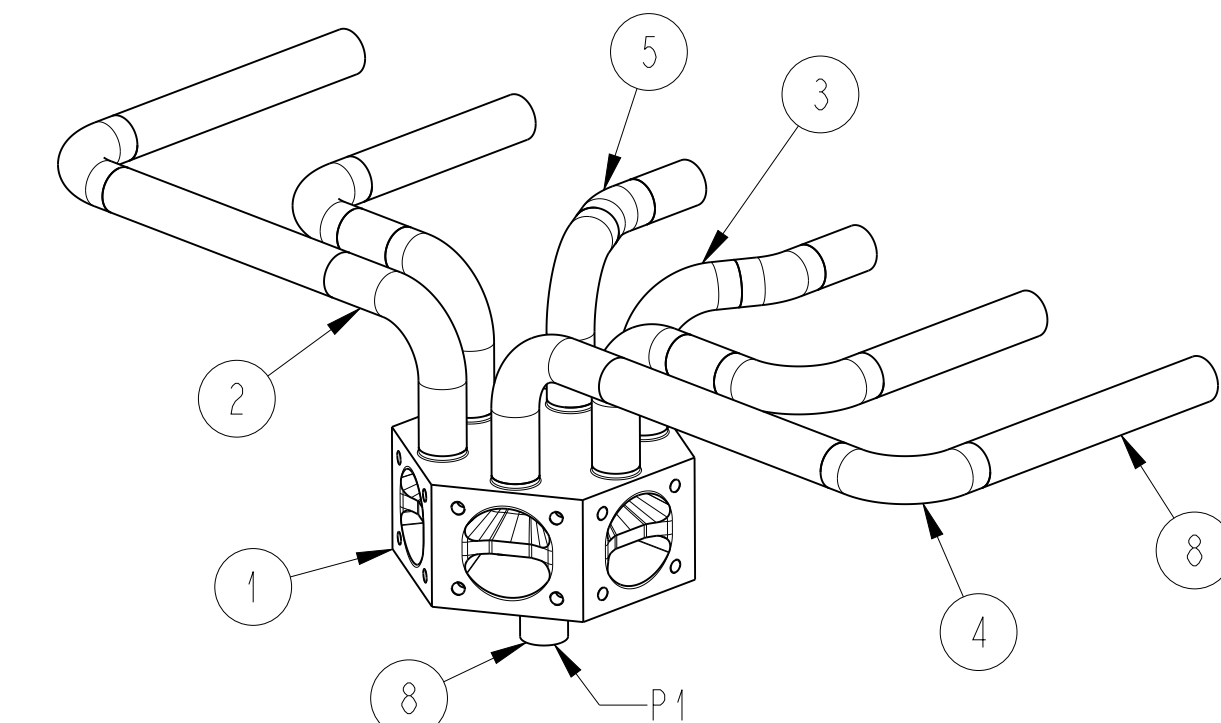
ISOMETRIC VIEW TC ENDS



FRONT VIEW TC ENDS

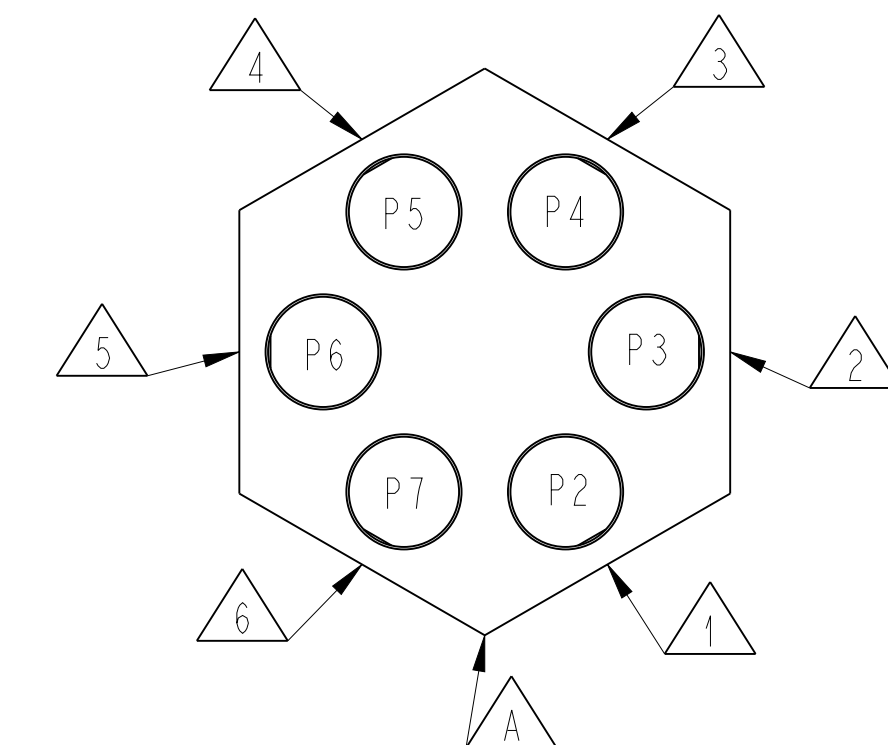


FRONT VIEW AW ENDS



ISOMETRIC VIEW AW ENDS

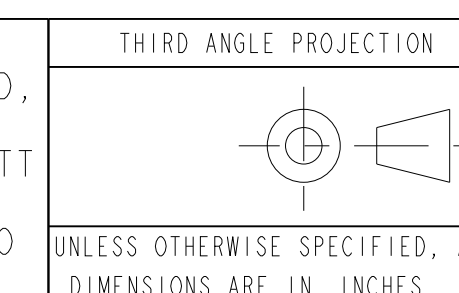
VALVE	A	B	(C)	(D1)	(D2)	(E)	F	G1	G2	H	J1	J2	K	L1	L2
1/4" BP	1.63	2.75	(14.10)	(1.99)	(2.36)	(3.49)	1.57	1.12	2.12	2.98	3.56	4.56	6.42	4.64	5.64
1/4" BT	[41,3]	[69,9]	[358,0]	[50,5]	[59,9]	[88,5]	[39,9]	[28,5]	[53,9]	[75,7]	[90,5]	[115,9]	[163,2]	[118,0]	[143,4]
3/8" BP	1.63	2.75	(17.19)	(1.99)	(2.36)	(3.49)	2.19	1.25	2.25	3.91	4.23	5.23	7.97	5.31	6.31
3/8" BT	[41,3]	[69,9]	[436,6]	[50,5]	[59,9]	[88,5]	[55,6]	[31,8]	[57,2]	[99,3]	[107,4]	[132,8]	[202,5]	[134,9]	[160,3]
1/2" BP	1.63	3.13	(15.87)	(1.99)	(2.36)	(3.86)	1.93	1.05	2.05	3.51	3.80	4.80	7.31	4.88	5.88
1/2" BT	[41,3]	[79,4]	[403,2]	[50,5]	[59,9]	[98,0]	[48,9]	[26,7]	[52,1]	[98,2]	[96,5]	[121,9]	[185,8]	[124,0]	[149,4]
1/2" PF	1.63	3.13	(19.28)	(2.20)	(2.57)	(4.07)	1.93	1.05	2.05	3.85	4.39	5.39	8.68	6.06	7.06
	[41,3]	[79,4]	[489,7]	[55,8]	[65,2]	[103,3]	[48,9]	[26,7]	[52,1]	[97,9]	[111,5]	[136,9]	[220,3]	[154,0]	[179,4]
3/4" PF	1.63	3.13	(22.66)	(2.42)	(2.79)	(4.29)	2.43	1.30	2.30	4.69	5.23	6.23	10.28	7.05	8.05
	[41,3]	[79,4]	[575,7]	[61,3]	[70,7]	[108,8]	[61,6]	[33,0]	[58,4]	[119,2]	[132,7]	[158,1]	[261,1]	[179,1]	[204,5]
1" PF	1.63	3.13	(25.32)	(2.63)	(3.00)	(4.50)	2.90	1.40	2.40	5.43	5.79	6.79	11.58	7.66	8.66
	[41,3]	[79,4]	[643,1]	[66,8]	[76,2]	[114,3]	[73,7]	[35,6]	[61,0]	[138,0]	[147,0]	[172,4]	[294,1]	[194,6]	[220,0]
1-1/2" PF	1.63	3.88	(33.59)	(3.07)	(3.44)	(5.69)	3.85	1.60	2.60	7.21	7.42	8.42	15.36	9.90	10.90
	[41,3]	[98,4]	[853,2]	[78,0]	[87,4]	[144,5]	[97,9]	[40,7]	[66,1]	[183,2]	[188,5]	[213,9]	[390,2]	[251,5]	[276,9]
2" PF	1.88	4.88	(40.93)	(3.38)	(4.00)	(7.00)	4.80	1.80	3.05	8.90	8.89	10.14	18.77	11.82	13.07
	[47,6]	[123,8]	[1039,6]	[85,9]	[101,6]	[177,8]	[122,0]	[45,8]	[77,6]	[226,0]	[225,9]	[257,6]	[476,9]	[300,3]	[332,0]
2-1/2" PF	1.88	5.63	(56.39)	(4.32)	(4.94)	(8.69)	5.76	2.01	3.26	11.39	11.77	13.02	25.43	16.55	17.80
	[47,6]	[142,9]	[1432,2]	[109,7]	[125,5]	[220,7]	[146,2]	[50,9]	[82,7]	[289,4]	[299,0]	[330,7]	[646,0]	[420,5]	[452,2]
3" PF	1.88	6.38	(57.13)	(4.32)	(4.94)	(9.44)	6.71	2.21	3.46	12.42	12.10	13.35	26.20	16.19	17.44
	[47,6]	[161,9]	[1451,0]	[109,7]	[125,5]	[239,8]	[170,3]	[56,0]	[87,8]	[315,4]	[307,4]	[339,1]	[665,6]	[411,2]	[442,9]



TOP VIEW WITH OUT ENDS

PURE-FLO ORDER: - ITEM: -
 CUSTOMER: -
 CUSTOMER PO: -
 OTHER INFO: -

THIS DOCUMENT IS THE SOLE PROPERTY OF ITT CORPORATION, OR ITS SUBSIDIARY, AND IS PROVIDED SUBJECT TO RETURN. IT IS ISSUED IN STRICT CONFIDENCE AND SHALL NOT BE REPRODUCED, OR COPIED, OR DISCLOSED IN WHOLE OR IN PART, OR USED AS THE BASIS FOR THE MANUFACTURE OR SALES OF APPARATUS OR PARTS TO WHICH THE DOCUMENT RELATES, WITHOUT THE EXPRESS WRITTEN CONSENT OF ITT CORPORATION, OR ITS SUBSIDIARY. THIS LEGEND SHALL BE MARKED ON ANY REPRODUCTION HEREOF, IN WHOLE OR IN PART. ALL RIGHTS TO THE INFORMATION AND DESIGN DISCLOSED HEREIN ARE RESERVED TO ITT CORPORATION, OR ITS SUBSIDIARY.



UNLESS OTHERWISE NOTED	
INCH	MM
X : ± 0.06	X : ± 1.5
.XX : ± 0.06	.XX : ± 1.5
.XXX : ± 0.02	.XXX : ± 0.5
X/XX : ± 0.02	X/XX : ± 0.5
X/XXX : ± 0.02	X/XXX : ± 0.5
X/XXXX : ± 0.02	X/XXXX : ± 0.5
X/XXXXX : ± 0.02	X/XXXXX : ± 0.5

DATE	BY
07/07/21	LFV
07/07/21	KRP
07/07/21	TJS

6 WAY DIVERT VALVE OP-3 ASSY.
 DWN
 CHKD
 APVD

ITT
 www.ittpureflo.com
 SHEET 1 OF 1
 REV B
 A31974
 MASTER DWG: A31974/B
 ECN# 18436
 ISSUE BY: -
 CERT BY: -