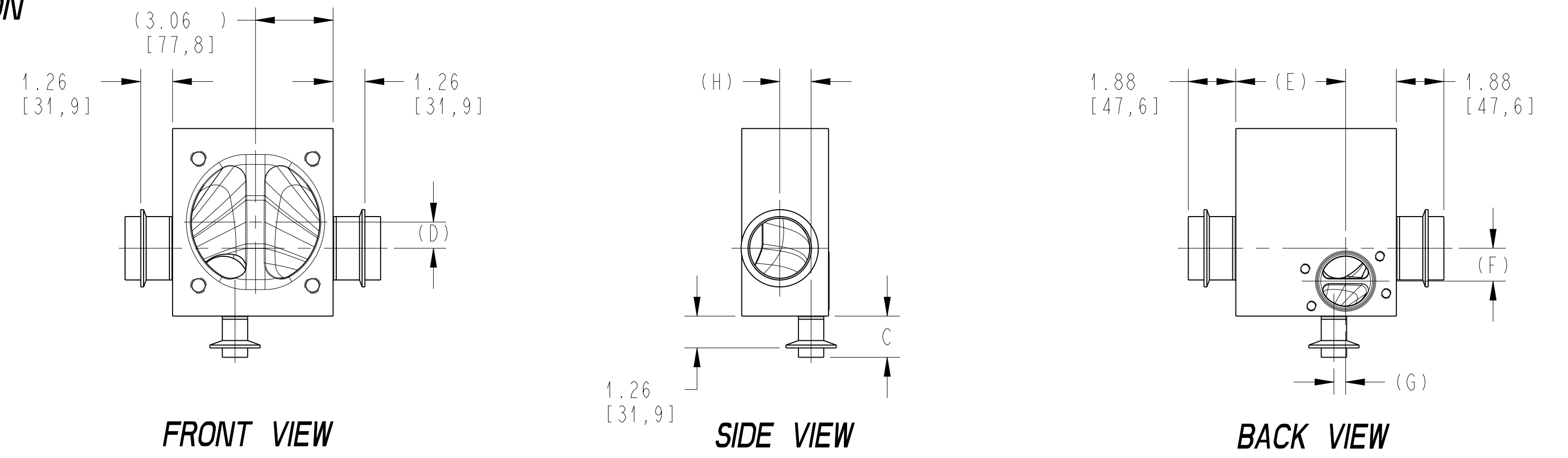
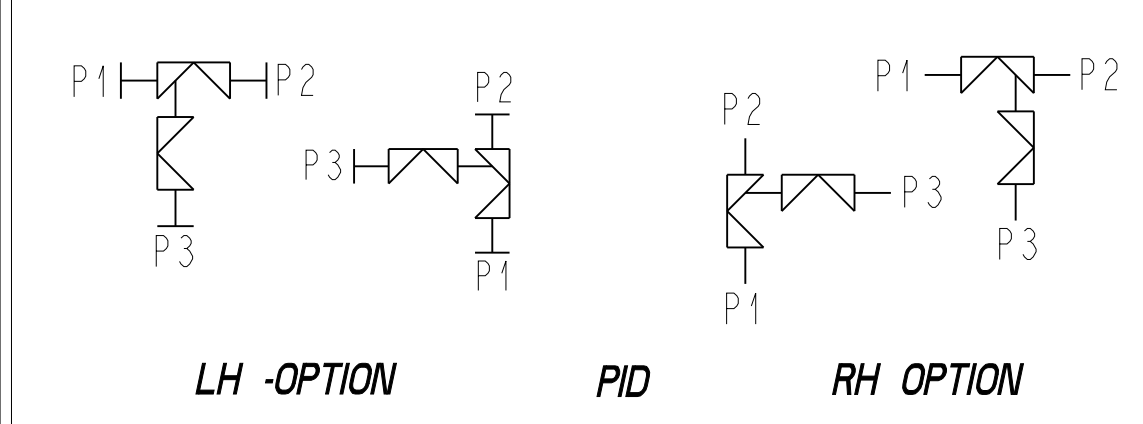
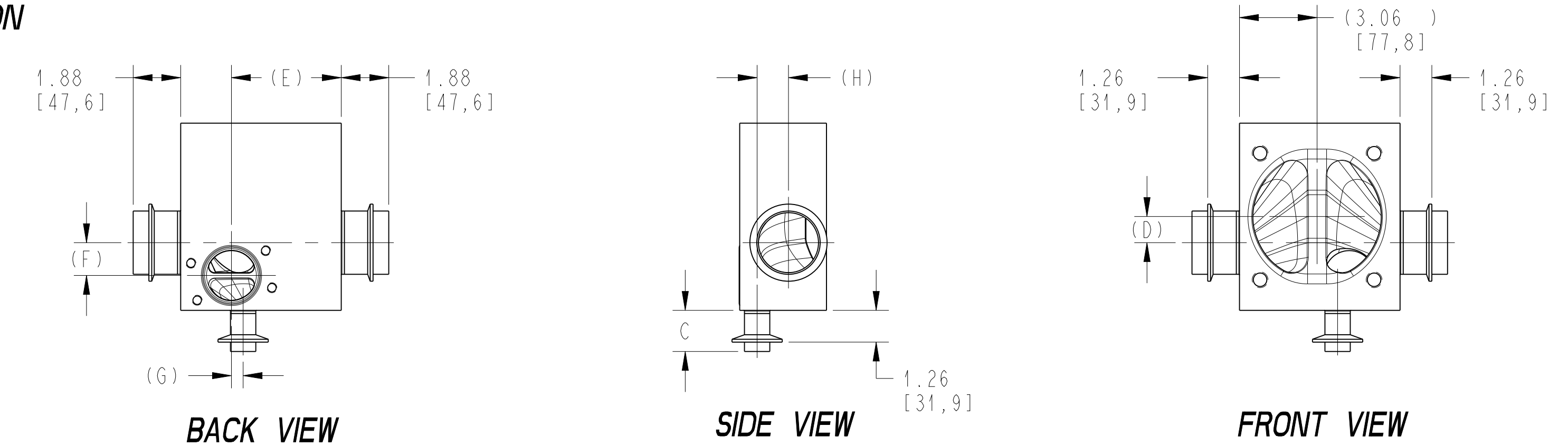


MAIN X PURGE	(A1)	(A2)	(A3)	(B1)	(B2)	C	(D)	(E)	(F)	(G)	(H)	L/D
2-1/2"PF X 1/2"EZ	(8.64) [219,4]	(9.26) [235,1]	(9.88) [250,9]	(3.91) [99,3]	(4.28) [108,7]	1.63 [41,3]	(1.03) [26,3]	(3.90) [99,0]	(1.28) [32,5]	(0.28) [7,0]	(1.15) [29,1]	2.3
2-1/2"PF X 3/4"REZ	(8.64) [219,4]	(9.26) [235,1]	(9.88) [250,9]	(3.91) [99,3]	(4.28) [108,7]	1.63 [41,3]	(1.03) [26,3]	(3.90) [99,0]	(1.28) [32,5]	(0.15) [3,8]	(0.99) [25,2]	
2-1/2"PF X 3/4"EZ	(8.85) [224,7]	(9.47) [240,5]	(10.09) [256,2]	(3.93) [99,8]	(4.30) [109,2]	1.63 [41,3]	(1.03) [26,3]	(4.34) [110,1]	(1.29) [32,9]	(0.59) [14,9]	(1.40) [35,5]	
2-1/2"PF X 1"EZ	(8.85) [224,7]	(9.47) [240,5]	(10.09) [256,2]	(3.93) [99,8]	(4.30) [109,2]	1.63 [41,3]	(1.03) [26,3]	(4.34) [110,1]	(1.29) [32,9]	(0.46) [11,7]	(1.24) [31,4]	
2-1/2"PF X 1-1/2"EZ	(9.85) [250,2]	(10.47) [265,9]	(11.09) [281,7]	(4.52) [114,8]	(4.89) [124,2]	1.63 [41,3]	(1.03) [26,3]	(4.65) [118,1]	(1.31) [33,4]	(0.53) [13,3]	(1.01) [25,7]	
2-1/2"PF X 2"EZ	(10.22) [259,6]	(10.84) [275,3]	(11.46) [291,1]	(4.57) [116,0]	(5.19) [131,7]	1.88 [47,6]	(1.03) [26,3]	(4.76) [121,0]	(1.33) [33,8]	(0.39) [9,9]	(0.76) [19,4]	
3"PF X 1/2"EZ	(8.64) [219,4]	(9.26) [235,1]	(9.88) [250,9]	(4.16) [105,6]	(4.53) [115,0]	1.63 [41,3]	(0.78) [19,9]	(3.90) [99,0]	(1.53) [38,8]	(0.28) [7,0]	(1.25) [31,8]	2.6
3"PF X 3/4"REZ	(8.64) [219,4]	(9.26) [235,1]	(9.88) [250,9]	(4.16) [105,6]	(4.53) [115,0]	1.63 [41,3]	(0.78) [19,9]	(3.90) [99,0]	(1.53) [38,8]	(0.15) [3,8]	(1.10) [27,8]	
3"PF X 3/4"EZ	(8.85) [224,7]	(9.47) [240,5]	(10.09) [256,2]	(4.18) [106,2]	(4.55) [115,6]	1.63 [41,3]	(0.78) [19,9]	(4.34) [110,1]	(1.54) [39,2]	(0.59) [14,9]	(1.58) [40,1]	
3"PF X 1"EZ	(8.85) [224,7]	(9.47) [240,5]	(10.09) [256,2]	(4.18) [106,2]	(4.55) [115,6]	1.63 [41,3]	(0.78) [19,9]	(4.34) [110,1]	(1.54) [39,2]	(0.46) [11,7]	(1.42) [36,0]	
3"PF X 1-1/2"EZ	(9.85) [250,2]	(10.47) [265,9]	(11.09) [281,7]	(4.77) [121,2]	(5.14) [130,6]	1.63 [41,3]	(0.78) [19,9]	(4.65) [118,1]	(1.56) [39,8]	(0.53) [13,3]	(1.25) [31,7]	
3"PF X 2"EZ	(10.22) [259,6]	(10.84) [275,3]	(11.46) [291,1]	(4.82) [122,3]	(5.44) [138,1]	1.88 [47,6]	(0.78) [19,9]	(4.76) [121,0]	(1.58) [40,1]	(0.39) [9,9]	(1.00) [25,4]	

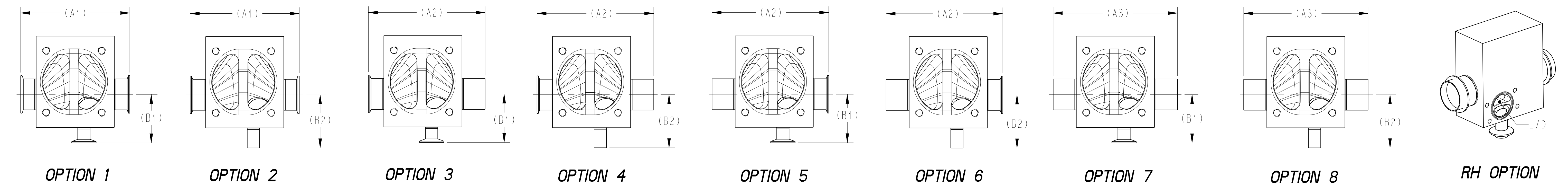
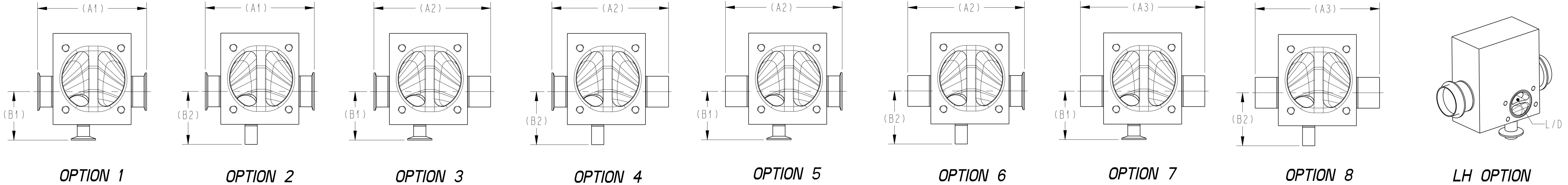
LH OPTION



RH OPTION



NOTE: UNLESS OTHERWISE SPECIFIED
 1. BODY DRAWING NUMBER 124751
 2. ALL INSTANCES MARKED AS "-" MEET AN L/D OF 2.0 OR LESS



PURE-FLO ORDER: _____ ITEM: _____
 CUSTOMER: _____
 CUSTOMER PO: _____
 OTHER INFO: _____

THIS DOCUMENT IS THE SOLE PROPERTY OF ITT CORPORATION, OR ITS SUBSIDIARY, AND IS PROVIDED SUBJECT TO RETURN. IT IS ISSUED IN STRICT CONFIDENCE AND SHALL NOT BE REPRODUCED, OR COPIED, OR DISCLOSED IN WHOLE OR IN PART, OR USED AS THE BASIS FOR THE MANUFACTURE OR SALES OF APPARATUS OR PARTS TO WHICH THE DOCUMENT RELATES, WITHOUT THE EXPRESS WRITTEN CONSENT OF ITT CORPORATION, OR ITS SUBSIDIARY. THIS LEGEND SHALL BE MARKED ON ANY REPRODUCTION HEREOF, IN WHOLE OR IN PART. ALL RIGHTS TO THE INFORMATION AND DESIGN DISCLOSED HEREIN ARE RESERVED TO ITT CORPORATION, OR ITS SUBSIDIARY.

THIRD ANGLE PROJECTION	UNLESS OTHERWISE NOTED	DATE	BY	ISG PF 2-1/2", 3" X ENVIZION 1/2" - 2"
	INCH	DWN 09/11/20	LFV	
	MM	CHKD 09/11/20	KRP	
UNLESS OTHERWISE SPECIFIED, ALL DIMENSIONS ARE IN INCHES		APVD 09/11/20	TJS	MASTER DWG: A32126/- ECN# 18106

ITT
www.ittpureflo.com

D A32126 SHEET 1 OF 1 REV -
 ISSUE BY: _____ CERT BY: _____