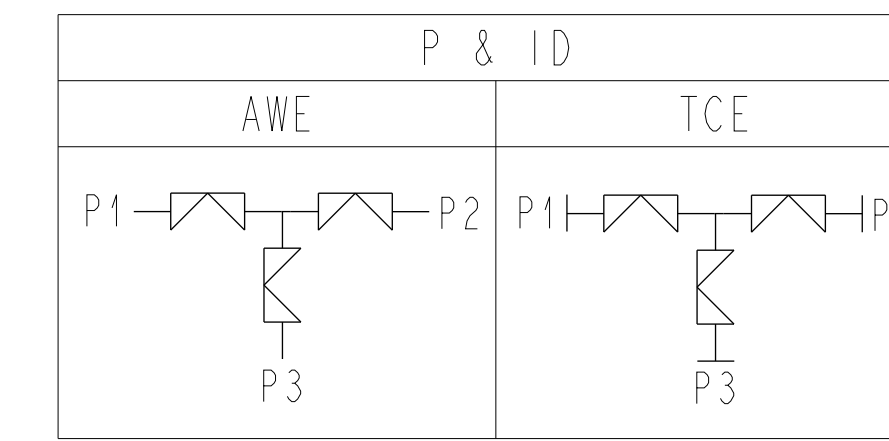
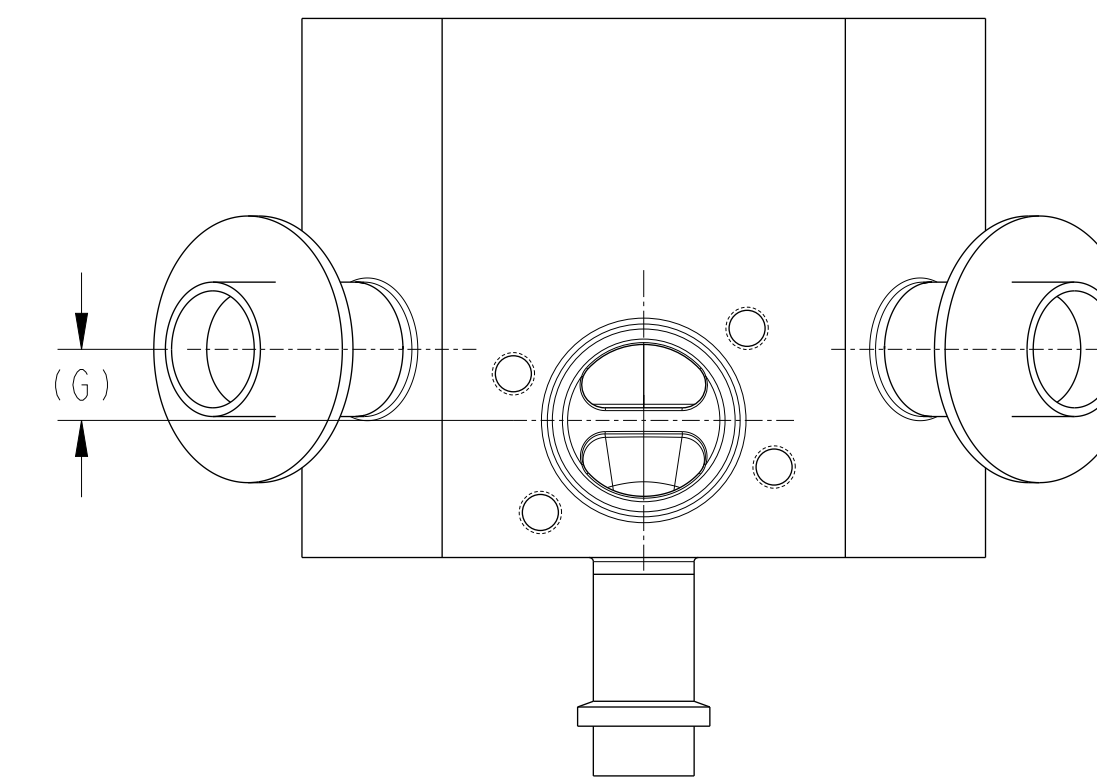


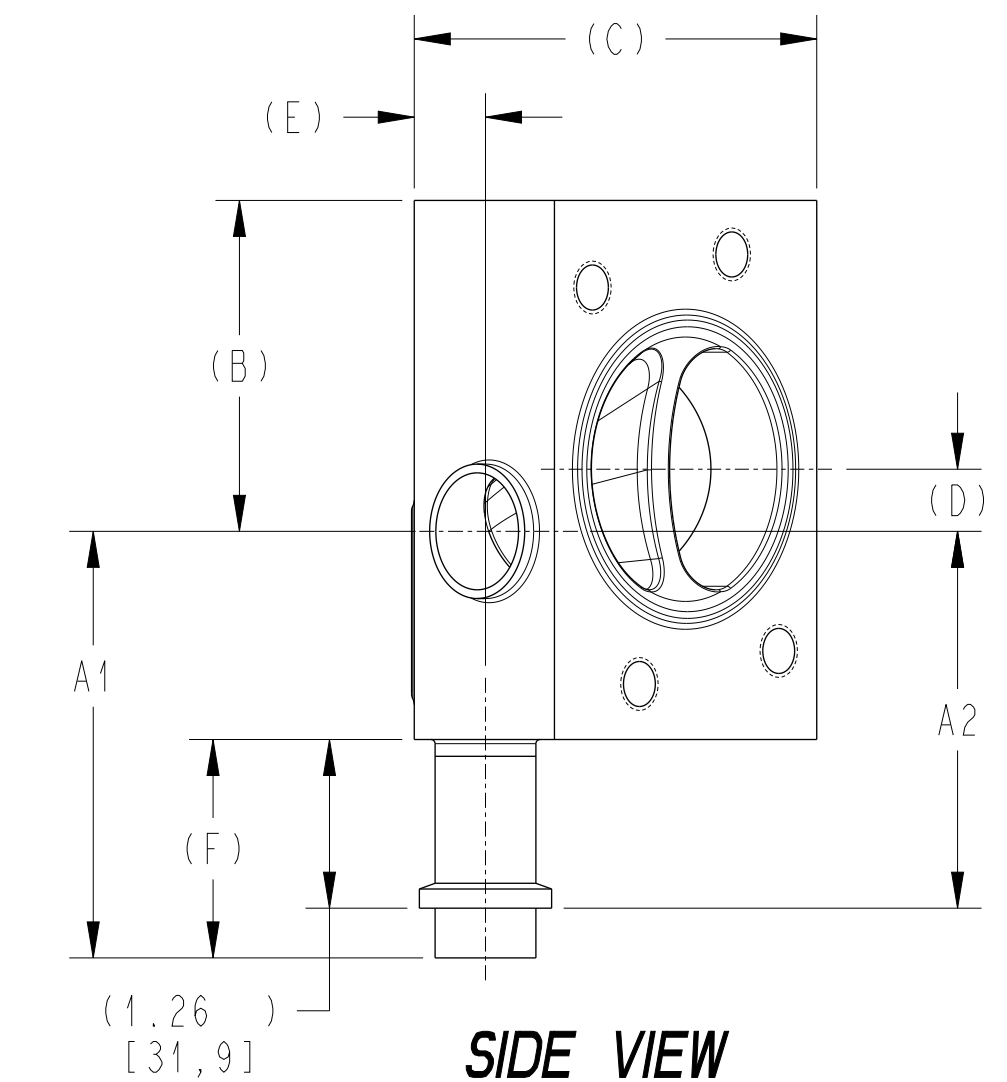
| VALVE SIZE               | A1              | A2              | (B)              | (C)               | (D)              | (E)              | (F)              | (G)              | H1               | H2              | (J)              | K1              | K2              | L/D | 3 |
|--------------------------|-----------------|-----------------|------------------|-------------------|------------------|------------------|------------------|------------------|------------------|-----------------|------------------|-----------------|-----------------|-----|---|
| 1/2" X 1/2" X 1/2"       | 2.92<br>[74,3]  | 2.55<br>[64,9]  | (1.58)<br>[40,0] | (2.07)<br>[52,5]  | (0.28)<br>[7,0]  | (0.38)<br>[9,5]  | (1.63)<br>[41,3] | (0.28)<br>[7,1]  | 5.64<br>[143,2]  | 5.12<br>[129,9] | (1.63)<br>[41,3] | 2.86<br>[72,6]  | 2.60<br>[65,9]  | -   | - |
| 3/4"R X 3/4"R X 1/2"     | 3.05<br>[77,5]  | 2.68<br>[68,1]  | (1.45)<br>[36,9] | (2.27)<br>[57,7]  | (0.15)<br>[3,8]  | (0.53)<br>[13,5] | (1.63)<br>[41,3] | (0.40)<br>[10,3] | 5.81<br>[147,6]  | 5.29<br>[134,3] | (1.63)<br>[41,3] | 2.97<br>[75,3]  | 2.70<br>[68,7]  | -   | - |
| 3/4"R X 3/4"R X 3/4"R    | 3.05<br>[77,4]  | 2.68<br>[68,0]  | (2.59)<br>[65,7] | (2.78)<br>[70,7]  | (0.59)<br>[14,9] | (0.38)<br>[9,5]  | (1.63)<br>[41,3] | (0.40)<br>[10,3] | 6.01<br>[152,7]  | 5.49<br>[139,4] | (1.63)<br>[41,3] | 3.48<br>[88,3]  | 3.21<br>[81,6]  | 2.3 | - |
| 3/4" X 3/4" X 3/4"       | 3.42<br>[87,0]  | 3.05<br>[77,6]  | (2.83)<br>[71,9] | (2.83)<br>[71,9]  | (0.59)<br>[14,9] | (0.53)<br>[13,5] | (1.63)<br>[41,3] | (0.42)<br>[10,7] | 7.31<br>[185,7]  | 6.79<br>[172,4] | (1.63)<br>[41,3] | 3.48<br>[88,3]  | 3.21<br>[81,6]  | -   | - |
| 1" X 1" X 1/2"           | 3.17<br>[80,6]  | 2.80<br>[71,2]  | (2.46)<br>[62,5] | (2.99)<br>[76,1]  | (0.46)<br>[11,7] | (0.38)<br>[9,5]  | (1.63)<br>[41,3] | (0.53)<br>[13,4] | 6.41<br>[162,8]  | 5.89<br>[149,6] | (1.63)<br>[41,3] | 3.59<br>[91,1]  | 3.33<br>[84,5]  | 2.4 | - |
| 1" X 1" X 3/4"R          | 3.17<br>[80,6]  | 2.80<br>[71,2]  | (2.46)<br>[62,5] | (2.99)<br>[76,1]  | (0.46)<br>[11,7] | (0.53)<br>[13,5] | (1.63)<br>[41,3] | (0.53)<br>[13,4] | 6.41<br>[162,8]  | 5.89<br>[149,6] | (1.63)<br>[41,3] | 3.59<br>[91,1]  | 3.33<br>[84,5]  | -   | - |
| 1" X 1" X 3/4"           | 3.55<br>[90,2]  | 3.18<br>[80,8]  | (2.46)<br>[62,5] | (2.99)<br>[76,1]  | (0.46)<br>[11,7] | (0.69)<br>[17,5] | (1.63)<br>[41,3] | (0.54)<br>[13,8] | 7.41<br>[188,2]  | 6.89<br>[175,0] | (1.63)<br>[41,3] | 3.59<br>[91,1]  | 3.33<br>[84,5]  | -   | - |
| 1" X 1" X 1"             | 3.55<br>[90,2]  | 3.18<br>[80,8]  | (2.46)<br>[62,5] | (2.99)<br>[76,1]  | (0.46)<br>[11,7] | (0.69)<br>[17,5] | (1.63)<br>[41,3] | (0.54)<br>[13,8] | 7.41<br>[188,2]  | 6.89<br>[175,0] | (1.63)<br>[41,3] | 3.59<br>[91,1]  | 3.33<br>[84,5]  | -   | - |
| 1-1/2" X 1-1/2" X 1/2"   | 3.80<br>[96,5]  | 3.43<br>[87,1]  | (3.22)<br>[81,7] | (4.26)<br>[108,2] | (0.53)<br>[13,3] | (0.38)<br>[9,5]  | (1.63)<br>[41,3] | (0.78)<br>[19,8] | 7.29<br>[185,1]  | 6.77<br>[171,9] | (1.63)<br>[41,3] | 4.61<br>[117,2] | 4.35<br>[110,5] | 3.8 | - |
| 1-1/2" X 1-1/2" X 3/4"R  | 3.80<br>[96,5]  | 3.43<br>[87,1]  | (3.22)<br>[81,7] | (4.26)<br>[108,2] | (0.53)<br>[13,3] | (0.53)<br>[13,5] | (1.63)<br>[41,3] | (0.78)<br>[19,8] | 7.29<br>[185,1]  | 6.77<br>[171,9] | (1.63)<br>[41,3] | 4.61<br>[117,2] | 4.35<br>[110,5] | 2.5 | - |
| 1-1/2" X 1-1/2" X 3/4"   | 3.80<br>[96,5]  | 3.43<br>[87,1]  | (3.22)<br>[81,7] | (4.26)<br>[108,2] | (0.53)<br>[13,3] | (0.69)<br>[17,5] | (1.63)<br>[41,3] | (0.79)<br>[20,2] | 7.89<br>[200,4]  | 7.37<br>[187,1] | (1.63)<br>[41,3] | 4.61<br>[117,2] | 4.35<br>[110,5] | 2.3 | - |
| 1-1/2" X 1-1/2" X 1"     | 3.80<br>[96,5]  | 3.43<br>[87,1]  | (3.22)<br>[81,7] | (4.26)<br>[108,2] | (0.53)<br>[13,3] | (1.00)<br>[25,4] | (1.63)<br>[41,3] | (0.81)<br>[20,7] | 9.27<br>[235,4]  | 8.75<br>[222,1] | (1.63)<br>[41,3] | 4.61<br>[117,2] | 4.35<br>[110,5] | -   | - |
| 1-1/2" X 1-1/2" X 1-1/2" | 4.39<br>[111,5] | 4.02<br>[102,1] | (3.22)<br>[81,7] | (4.26)<br>[108,2] | (0.53)<br>[13,3] | (0.38)<br>[9,5]  | (1.63)<br>[41,3] | (1.03)<br>[26,1] | 7.45<br>[189,4]  | 6.58<br>[167,1] | (1.63)<br>[41,3] | 5.00<br>[127,1] | 4.56<br>[115,9] | 4.3 | - |
| 2" X 2" X 1/2"           | 4.18<br>[106,3] | 3.81<br>[96,9]  | (3.34)<br>[84,9] | (4.58)<br>[116,3] | (0.39)<br>[9,9]  | (0.53)<br>[13,5] | (1.63)<br>[41,3] | (1.04)<br>[26,5] | 8.95<br>[227,5]  | 8.08<br>[205,2] | (1.63)<br>[41,3] | 5.00<br>[127,1] | 4.56<br>[115,9] | 2.8 | - |
| 2" X 2" X 3/4"R          | 4.18<br>[106,3] | 3.81<br>[96,9]  | (3.34)<br>[84,9] | (4.58)<br>[116,3] | (0.39)<br>[9,9]  | (0.69)<br>[17,5] | (1.63)<br>[41,3] | (1.04)<br>[26,5] | 8.95<br>[227,5]  | 8.08<br>[205,2] | (1.63)<br>[41,3] | 5.00<br>[127,1] | 4.56<br>[115,9] | 2.4 | - |
| 2" X 2" X 3/4"           | 4.18<br>[106,3] | 3.81<br>[96,9]  | (3.34)<br>[84,9] | (4.58)<br>[116,3] | (0.39)<br>[9,9]  | (0.69)<br>[17,5] | (1.63)<br>[41,3] | (1.04)<br>[26,5] | 8.95<br>[227,5]  | 8.08<br>[205,2] | (1.63)<br>[41,3] | 5.00<br>[127,1] | 4.56<br>[115,9] | -   | - |
| 2" X 2" X 1"             | 4.18<br>[106,3] | 3.81<br>[96,9]  | (3.34)<br>[84,9] | (4.58)<br>[116,3] | (0.39)<br>[9,9]  | (1.00)<br>[25,4] | (1.63)<br>[41,3] | (1.06)<br>[27,0] | 9.98<br>[253,4]  | 9.10<br>[231,1] | (1.63)<br>[41,3] | 5.00<br>[127,1] | 4.56<br>[115,9] | -   | - |
| 2" X 2" X 1-1/2"         | 4.64<br>[117,9] | 4.27<br>[108,5] | (3.37)<br>[85,6] | (4.65)<br>[118,1] | (0.39)<br>[9,9]  | (1.00)<br>[25,4] | (1.63)<br>[41,3] | (1.08)<br>[27,4] | 10.49<br>[266,4] | 9.61<br>[244,1] | (1.63)<br>[41,3] | 5.00<br>[127,1] | 4.56<br>[115,9] | -   | - |
| 2" X 2" X 2"             | 4.94<br>[125,4] | 4.32<br>[109,6] | (3.37)<br>[85,6] | (4.65)<br>[118,1] | (0.39)<br>[9,9]  | (1.25)<br>[31,8] | (1.63)<br>[41,3] | (1.08)<br>[27,4] | 10.49<br>[266,4] | 9.61<br>[244,1] | (1.63)<br>[41,3] | 5.00<br>[127,1] | 4.56<br>[115,9] | -   | - |



| △ A        | △ 1         | △ 2          | △ 3         |
|------------|-------------|--------------|-------------|
| VALVE ASSY | FIRST VALVE | SECOND VALVE | THIRD VALVE |



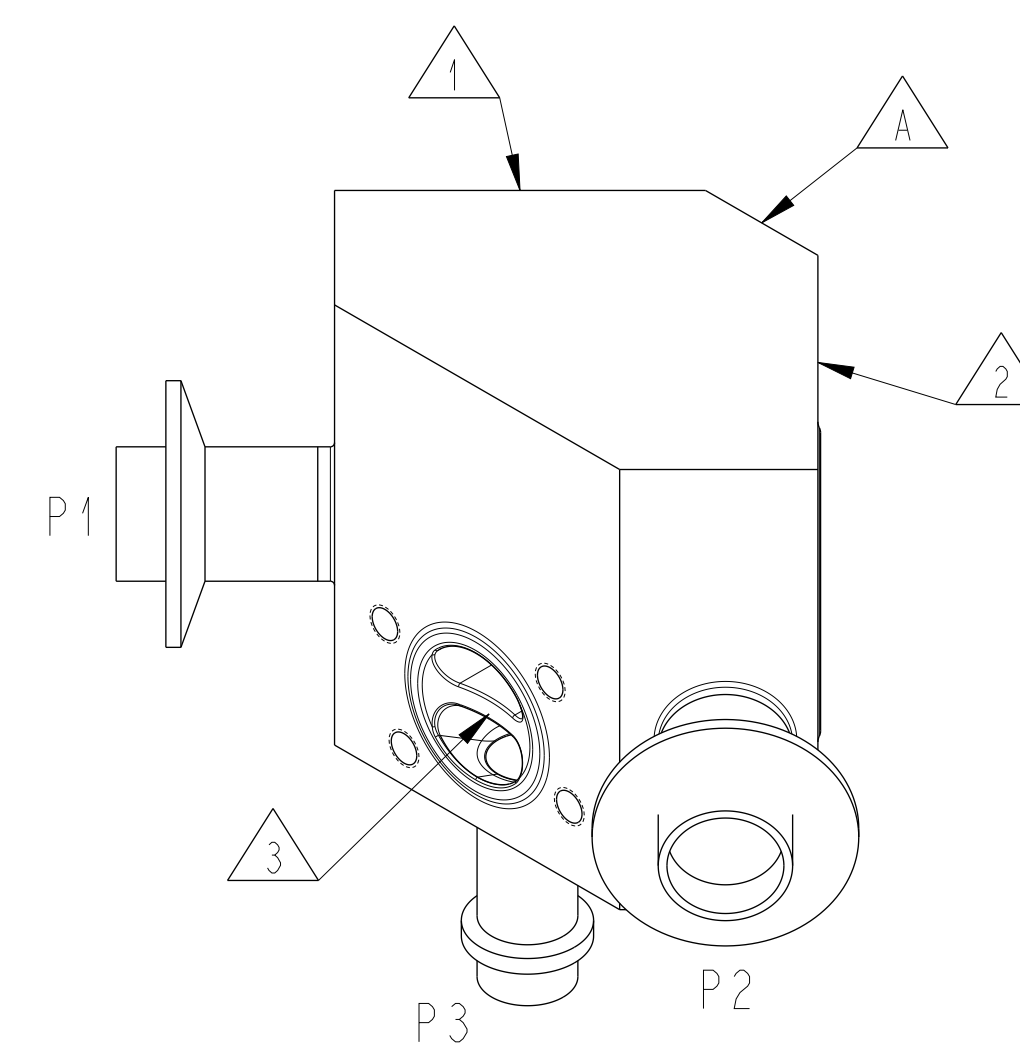
**FRONT VIEW**  
INSTALLATION ORIENTATION



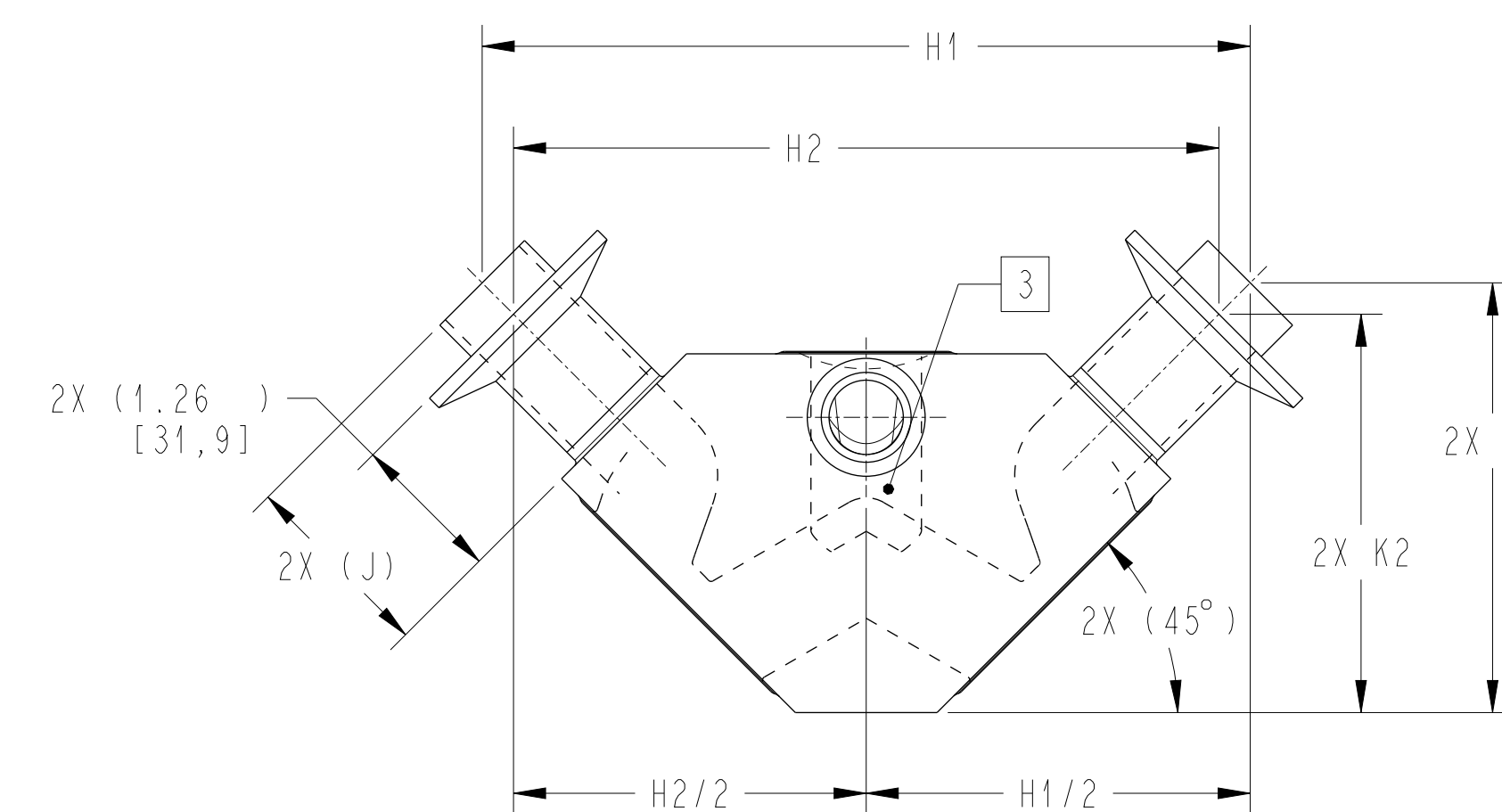
**SIDE VIEW**

**NOTE:**

1. USE BODY DRAWING NUMBER K36925A
2. "P" INDICATES PORT CONNECTION
3. ALL INSTANCES MARKED AS "-" MEET L/D OF 2 OR LESS.
4. TUBE ENDS MEET OR EXCEED THE FOLLOWING LENGTHS 1/2" - 1-1/2"=1-1/2" LG; 2"=1-3/4"LG



**ISOMETRIC OPTION-1**



**BOTTOM VIEW**

|                   |         |
|-------------------|---------|
| PURE-FLO ORDER: - | ITEM: - |
| CUSTOMER: -       |         |
| CUSTOMER PO: -    |         |
| OTHER INFO: -     |         |

THIS DOCUMENT IS THE SOLE PROPERTY OF ITT CORPORATION, OR ITS SUBSIDIARY, AND IS PROVIDED SUBJECT TO RETURN. IT IS ISSUED IN STRICT CONFIDENCE AND SHALL NOT BE REPRODUCED, OR COPIED, OR DISCLOSED IN WHOLE OR IN PART, OR USED AS THE BASIS FOR THE MANUFACTURE OR SALES OF APPARATUS OR PARTS TO WHICH THE DOCUMENT RELATES, WITHOUT THE EXPRESS WRITTEN CONSENT OF ITT CORPORATION, OR ITS SUBSIDIARY. THIS LEGEND SHALL BE MARKED ON ANY REPRODUCTION HEREOF, IN WHOLE OR IN PART. ALL RIGHTS TO THE INFORMATION AND DESIGN DISCLOSED HEREIN ARE RESERVED TO ITT CORPORATION, OR ITS SUBSIDIARY.

|                        |                        |
|------------------------|------------------------|
| THIRD ANGLE PROJECTION | UNLESS OTHERWISE NOTED |
|                        | INCH                   |
|                        | MM                     |
|                        | X : ± 0.06             |
|                        | .XX : ± 0.06           |
|                        | .XXX : ± 0.02          |
|                        | X/XX : ± 1/16          |
|                        | X : ± 1.5              |
|                        | .XX : ± 1.5            |
|                        | X : ± 1°               |
|                        | .X : ± 1°              |

|          |     |
|----------|-----|
| DATE     | BY  |
| 03/06/23 | LFV |
| CHKD     | KRP |
| 05/05/23 |     |
| APVD     | TJS |
| 05/05/23 |     |

|                                       |
|---------------------------------------|
| BLOCK BLEED DRAIN ENVIZION BODY ASSY. |
| MASTER DWG: A38653A/-                 |
| ECN# 18956                            |

|             |                                |
|-------------|--------------------------------|
|             | Pure-Flo<br>www.ittpureflo.com |
| D           | A38653A                        |
| SHEET       | REV                            |
| 1 OF 1      | -                              |
| ISSUE BY: - | CERT BY: -                     |