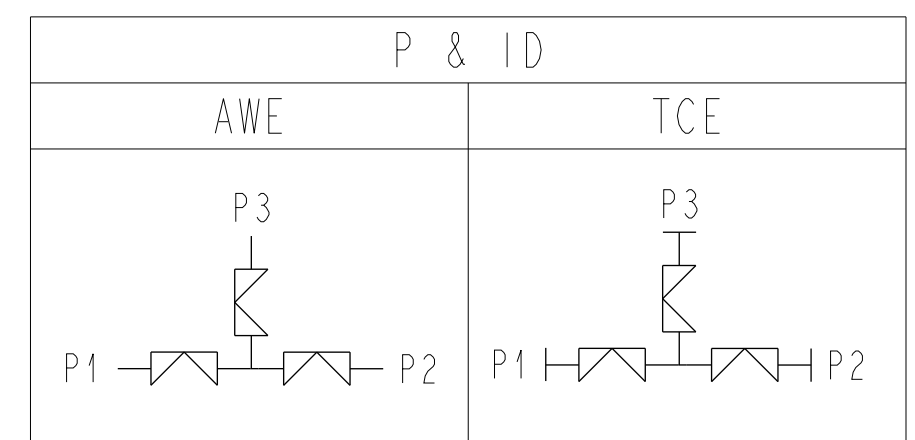
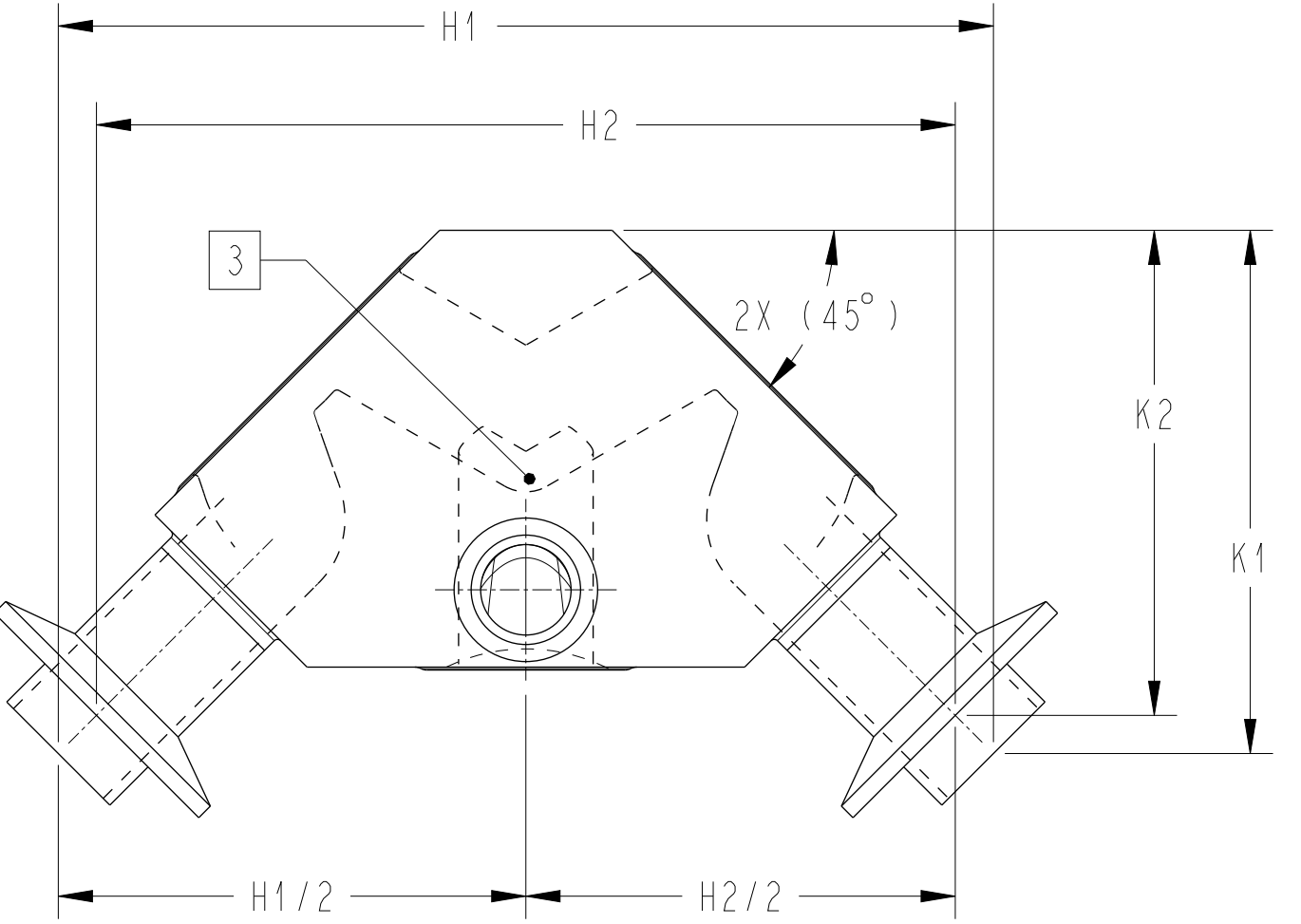


VALVE SIZE	A1	A2	(B)	(C)	(D)	(E)	(F)	(G)	H1	H2	(J)	K1	K2	L/D
1/2" X 1/2" X 1/2"	3.48 [88,3]	3.11 [78,9]	(1.02) [26,0]	(2.07) [52,5]	(0.28) [7,0]	(0.38) [9,5]	(1.63) [41,3]	(0.83) [21,1]	5.64 [143,2]	5.12 [129,9]	(1.63) [41,3]	2.86 [72,6]	2.60 [65,9]	-
3/4"R X 3/4"R X 1/2"	3.35 [85,1]	2.98 [75,7]	(1.15) [29,2]	(2.27) [57,7]	(0.15) [3,8]	(0.38) [9,5]	(1.63) [41,3]	(0.71) [17,9]	5.81 [147,6]	5.29 [134,3]	(1.63) [41,3]	2.97 [75,3]	2.70 [68,7]	-
3/4"R X 3/4"R X 3/4"R	3.35 [85,1]	2.98 [75,7]	(1.15) [29,2]	(2.27) [57,7]	(0.15) [3,8]	(0.53) [13,5]	(1.63) [41,3]	(0.71) [17,9]	5.81 [147,6]	5.29 [134,3]	(1.63) [41,3]	2.97 [75,3]	2.70 [68,7]	-
3/4" X 3/4" X 1/2"	4.22 [107,3]	3.85 [97,9]	(1.41) [35,9]	(2.78) [70,7]	(0.59) [14,9]	(0.38) [9,5]	(1.63) [41,3]	(1.58) [40,1]	6.01 [152,7]	5.49 [139,4]	(1.63) [41,3]	3.48 [88,3]	3.21 [81,6]	2.3
3/4" X 3/4" X 3/4"R	4.22 [107,3]	3.85 [97,9]	(1.41) [35,9]	(2.78) [70,7]	(0.59) [14,9]	(0.53) [13,5]	(1.63) [41,3]	(1.58) [40,1]	6.01 [152,7]	5.49 [139,4]	(1.63) [41,3]	3.48 [88,3]	3.21 [81,6]	-
3/4" X 3/4" X 3/4"	4.58 [116,4]	4.21 [107,0]	(1.41) [35,9]	(2.83) [71,9]	(0.59) [14,9]	(0.53) [13,5]	(1.63) [41,3]	(1.58) [40,1]	7.31 [185,7]	6.79 [172,4]	(1.63) [41,3]	3.48 [88,3]	3.21 [81,6]	-
1" X 1" X 1/2"	4.10 [104,1]	3.73 [94,7]	(1.54) [39,1]	(2.99) [76,1]	(0.46) [11,7]	(0.38) [9,5]	(1.63) [41,3]	(1.45) [36,9]	6.41 [162,8]	5.89 [149,6]	(1.63) [41,3]	3.59 [91,1]	3.33 [84,5]	2.4
1" X 1" X 3/4"R	4.10 [104,1]	3.73 [94,7]	(1.54) [39,1]	(2.99) [76,1]	(0.46) [11,7]	(0.53) [13,5]	(1.63) [41,3]	(1.45) [36,9]	6.41 [162,8]	5.89 [149,6]	(1.63) [41,3]	3.59 [91,1]	3.33 [84,5]	-
1" X 1" X 3/4"	4.46 [113,2]	4.09 [103,8]	(1.54) [39,1]	(2.99) [76,1]	(0.46) [11,7]	(0.53) [13,5]	(1.63) [41,3]	(1.45) [36,9]	7.41 [188,2]	6.89 [175,0]	(1.63) [41,3]	3.59 [91,1]	3.33 [84,5]	-
1" X 1" X 1"	4.46 [113,2]	4.09 [103,8]	(1.54) [39,1]	(2.99) [76,1]	(0.46) [11,7]	(0.69) [17,5]	(1.63) [41,3]	(1.45) [36,9]	7.41 [188,2]	6.89 [175,0]	(1.63) [41,3]	3.59 [91,1]	3.33 [84,5]	-
1-1/2" X 1-1/2" X 1/2"	4.84 [122,9]	4.47 [113,5]	(2.16) [55,0]	(4.26) [108,2]	(0.53) [13,3]	(0.38) [9,5]	(1.63) [41,3]	(1.83) [46,5]	7.29 [185,1]	6.77 [171,9]	(1.63) [41,3]	4.61 [117,2]	4.35 [110,5]	3.8
1-1/2" X 1-1/2" X 3/4"R	4.84 [122,9]	4.47 [113,5]	(2.16) [55,0]	(4.26) [108,2]	(0.53) [13,3]	(0.53) [13,5]	(1.63) [41,3]	(1.83) [46,5]	7.29 [185,1]	6.77 [171,9]	(1.63) [41,3]	4.61 [117,2]	4.35 [110,5]	2.5
1-1/2" X 1-1/2" X 3/4"	4.84 [122,9]	4.47 [113,5]	(2.16) [55,0]	(4.26) [108,2]	(0.53) [13,3]	(0.53) [13,5]	(1.63) [41,3]	(1.83) [46,5]	7.89 [200,4]	7.37 [187,1]	(1.63) [41,3]	4.61 [117,2]	4.35 [110,5]	2.3
1-1/2" X 1-1/2" X 1"	4.84 [122,9]	4.47 [113,5]	(2.16) [55,0]	(4.26) [108,2]	(0.53) [13,3]	(0.69) [17,5]	(1.63) [41,3]	(1.83) [46,5]	7.89 [200,4]	7.37 [187,1]	(1.63) [41,3]	4.61 [117,2]	4.35 [110,5]	-
1-1/2" X 1-1/2" X 1-1/2"	5.40 [137,3]	5.03 [127,9]	(2.16) [55,0]	(4.26) [108,2]	(0.53) [13,3]	(1.00) [25,4]	(1.63) [41,3]	(1.83) [46,5]	9.27 [235,4]	8.75 [222,1]	(1.63) [41,3]	4.61 [117,2]	4.35 [110,5]	-
2" X 2" X 1/2"	4.97 [126,2]	4.60 [116,8]	(2.56) [65,0]	(4.58) [116,3]	(0.39) [9,9]	(0.38) [9,5]	(1.63) [41,3]	(1.81) [46,0]	7.45 [189,4]	6.58 [167,1]	(1.88) [47,6]	5.00 [127,1]	4.56 [115,9]	4.3
2" X 2" X 3/4"R	4.97 [126,2]	4.60 [116,8]	(2.56) [65,0]	(4.58) [116,3]	(0.39) [9,9]	(0.53) [13,5]	(1.63) [41,3]	(1.81) [46,0]	7.45 [189,4]	6.58 [167,1]	(1.88) [47,6]	5.00 [127,1]	4.56 [115,9]	2.8
2" X 2" X 3/4"	4.97 [126,2]	4.60 [116,8]	(2.56) [65,0]	(4.58) [116,3]	(0.39) [9,9]	(0.53) [13,5]	(1.63) [41,3]	(1.81) [46,0]	8.45 [214,8]	7.58 [192,5]	(1.88) [47,6]	5.00 [127,1]	4.56 [115,9]	2.4
2" X 2" X 1"	4.97 [126,2]	4.60 [116,8]	(2.56) [65,0]	(4.65) [118,1]	(0.39) [9,9]	(0.69) [17,5]	(1.63) [41,3]	(1.81) [46,0]	8.60 [218,3]	7.72 [196,1]	(1.88) [47,6]	5.00 [127,1]	4.56 [115,9]	-
2" X 2" X 1-1/2"	5.39 [136,8]	5.02 [127,4]	(2.56) [65,0]	(4.65) [118,1]	(0.39) [9,9]	(1.00) [25,4]	(1.63) [41,3]	(1.81) [46,0]	9.98 [253,4]	9.10 [231,1]	(1.88) [47,6]	5.00 [127,1]	4.56 [115,9]	-
2" X 2" X 2"	5.67 [144,0]	5.05 [128,2]	(2.56) [65,0]	(4.65) [118,1]	(0.39) [9,9]	(1.25) [31,8]	(1.88) [47,6]	(1.81) [46,0]	10.49 [266,4]	9.61 [244,1]	(1.88) [47,6]	5.00 [127,1]	4.56 [115,9]	-

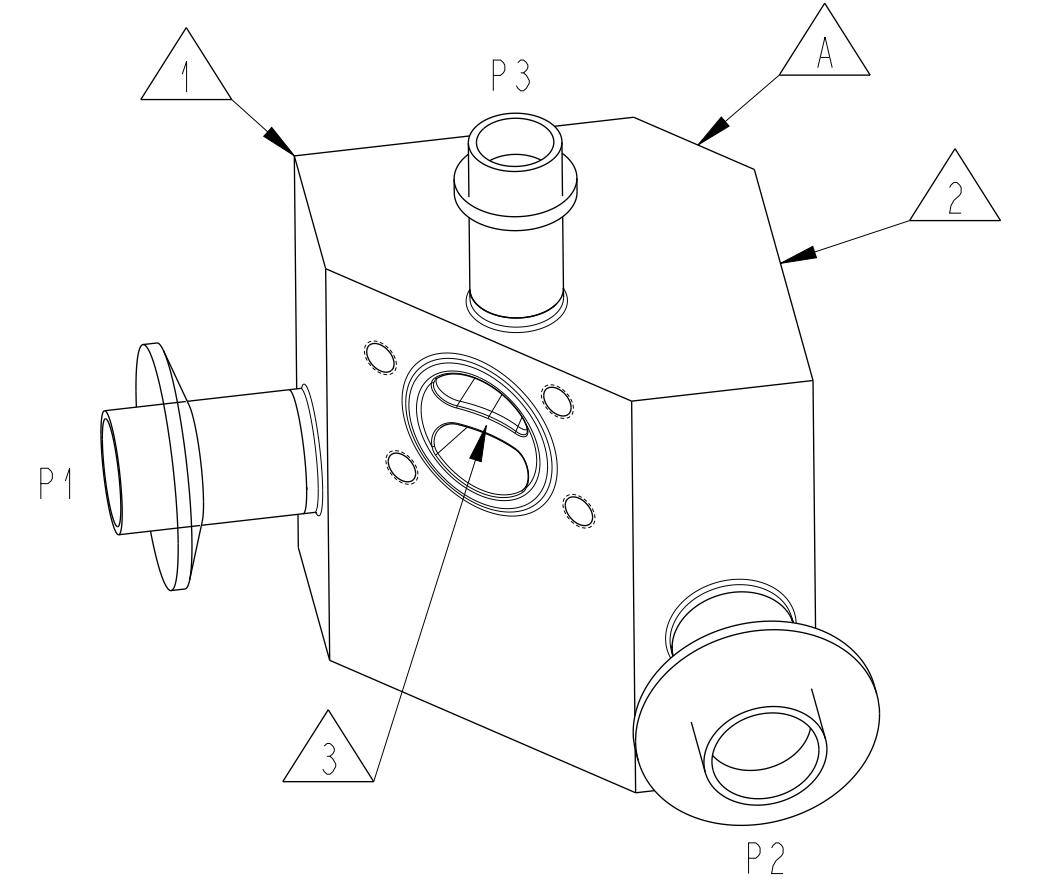
3



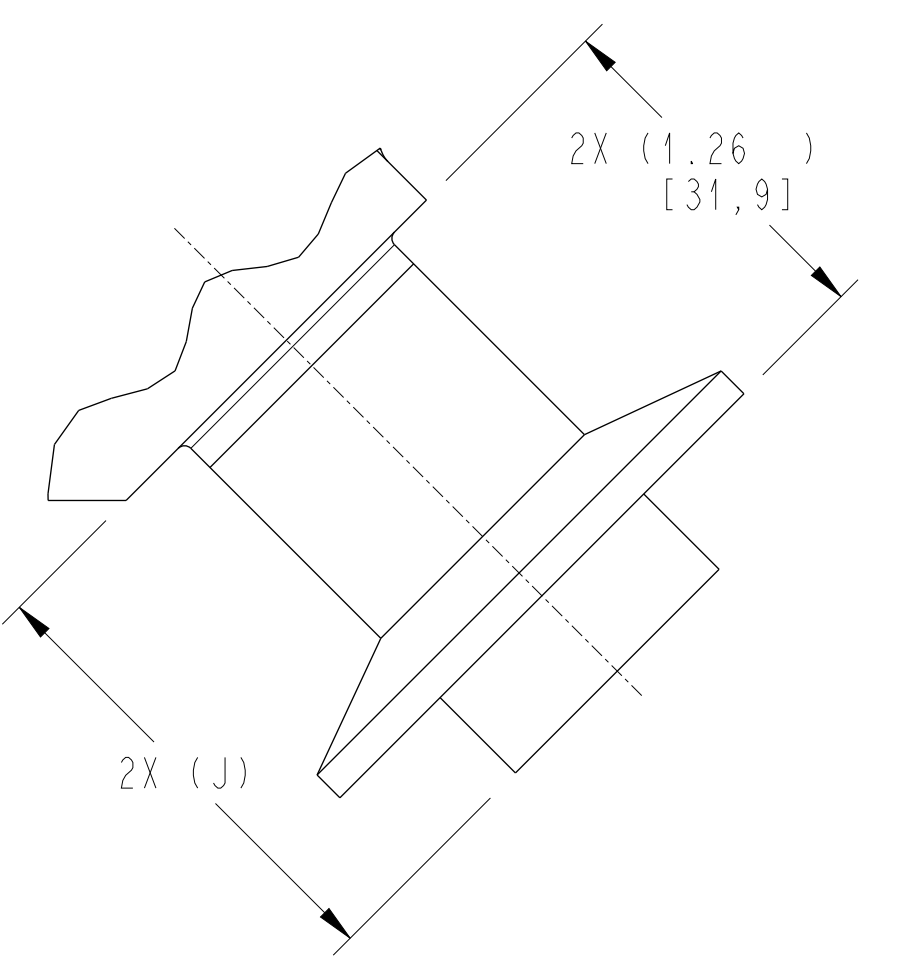
TAG NUMBERS			
1	2	3	4
VALVE ASSY	FIRST VALVE	SECOND VALVE	THIRD VALVE
1			



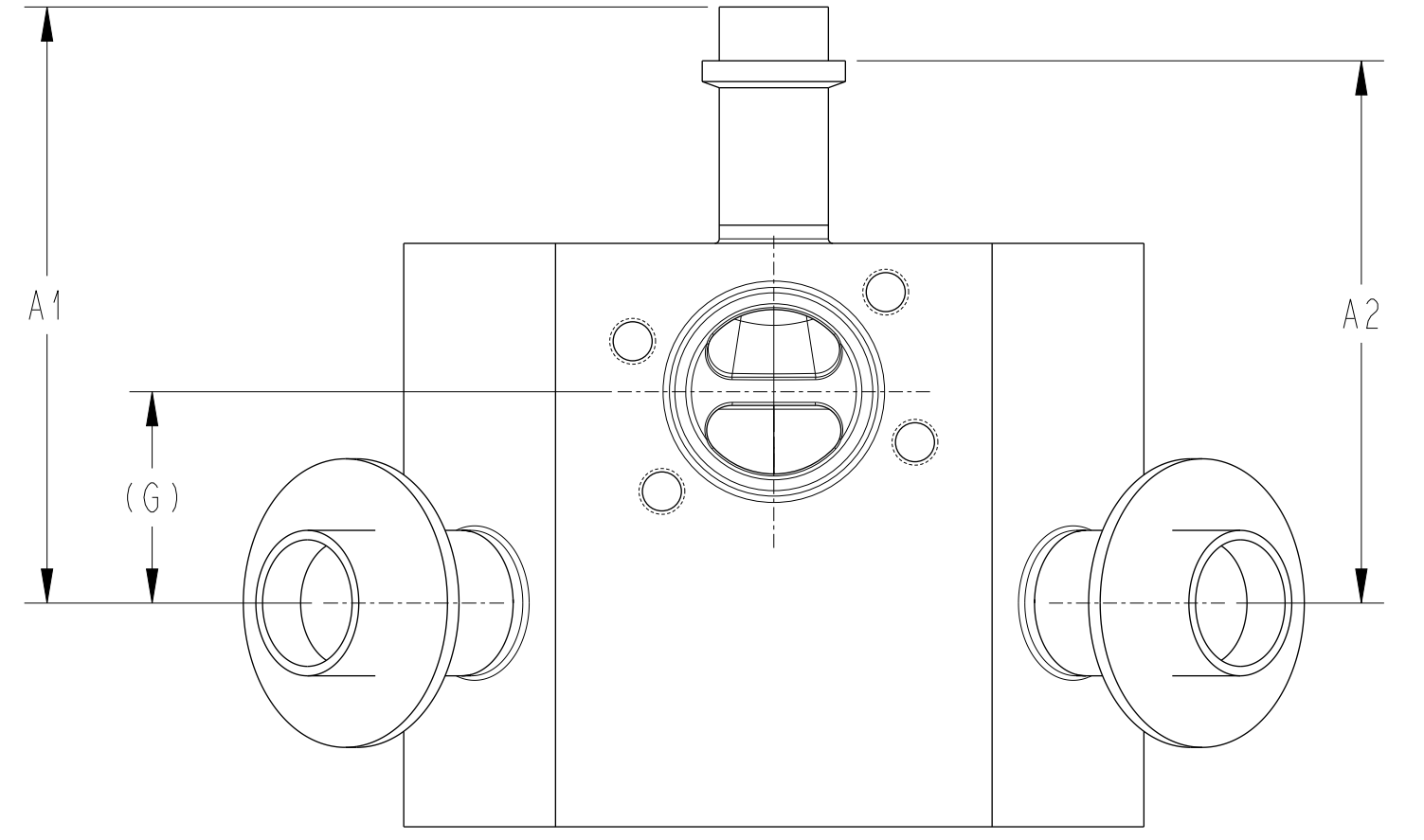
TOP VIEW



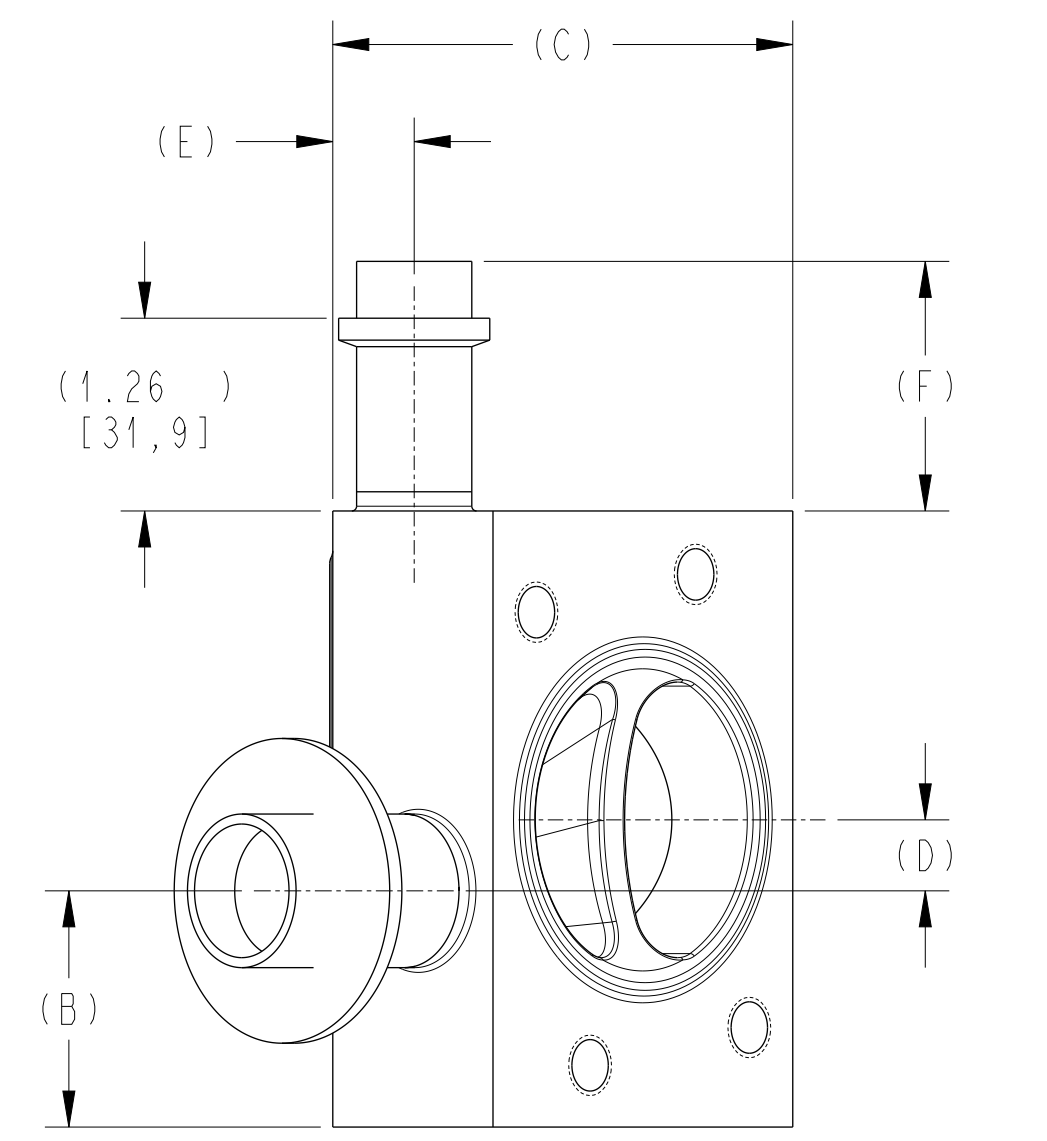
SIDE VIEW



P1 & P2 PORTS



FRONT VIEW
INSTALLATION ORIENTATION

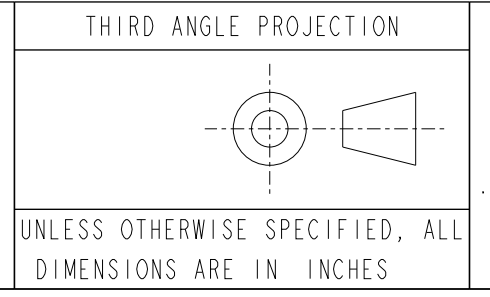


SIDE VIEW

- NOTE:
- USE BODY DRAWING NUMBER K39765A
 - "P" INDICATES PORT CONNECTION
 - ALL INSTANCES MARKED AS "-" MEET L/D OF 2 OR LESS.
 - TUBE ENDS MEET OR EXCEED THE FOLLOWING LENGTHS 1/2" - 1-1/2"=1-1/2" LG; 2"=1-3/4"LG

PURE-FLO ORDER: _____ ITEM: _____
 CUSTOMER: _____
 CUSTOMER PO: _____
 OTHER INFO: _____

THIS DOCUMENT IS THE SOLE PROPERTY OF ITT CORPORATION, OR ITS SUBSIDIARY, AND IS PROVIDED SUBJECT TO RETURN. IT IS ISSUED IN STRICT CONFIDENCE AND SHALL NOT BE REPRODUCED, OR COPIED, OR DISCLOSED IN WHOLE OR IN PART, OR USED AS THE BASIS FOR THE MANUFACTURE OR SALES OF APPARATUS OR PARTS TO WHICH THE DOCUMENT RELATES, WITHOUT THE EXPRESS WRITTEN CONSENT OF ITT CORPORATION, OR ITS SUBSIDIARY. THIS LEGEND SHALL BE MARKED ON ANY REPRODUCTION HEREOF, IN WHOLE OR IN PART. ALL RIGHTS TO THE INFORMATION AND DESIGN DISCLOSED HEREIN ARE RESERVED TO ITT CORPORATION, OR ITS SUBSIDIARY.



UNLESS OTHERWISE NOTED	
INCH	MM
X : ± 0.06	X : ± 1.5
.XX : ± 0.06	.XX : ± 1.5
.XXX : ± 0.02	.XXX : ± 0.5
X/XX : ± 1/16	X/XX : ± 1°
X° : ± 1°	

DATE	BY
11/09/23	LFV
11/09/23	KRP
11/09/23	TJS

UNLESS OTHERWISE SPECIFIED, ALL DIMENSIONS ARE IN INCHES

DATE: 11/09/23 BY: LFV
 CHKD: 11/09/23 KRP
 APVD: 11/09/23 TJS

MASTER DWG: A40024A/- ECN# 18956

ISSUE BY: _____ CERT BY: _____

ITT
 Pure-Flo
 www.ittpureflo.com

SHEET 1 OF 1 REV -