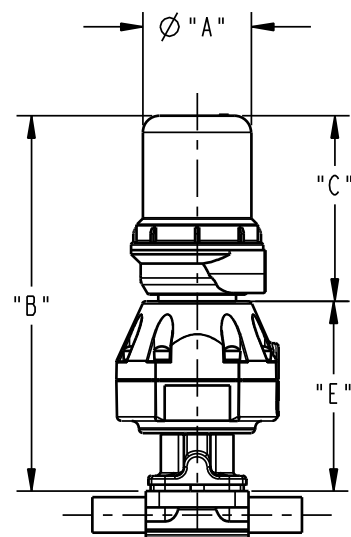


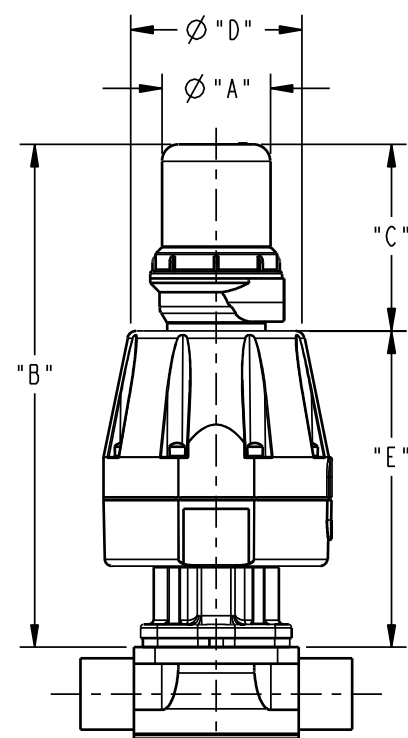
FIGURE NUMBERS

ASSEMBLY: -

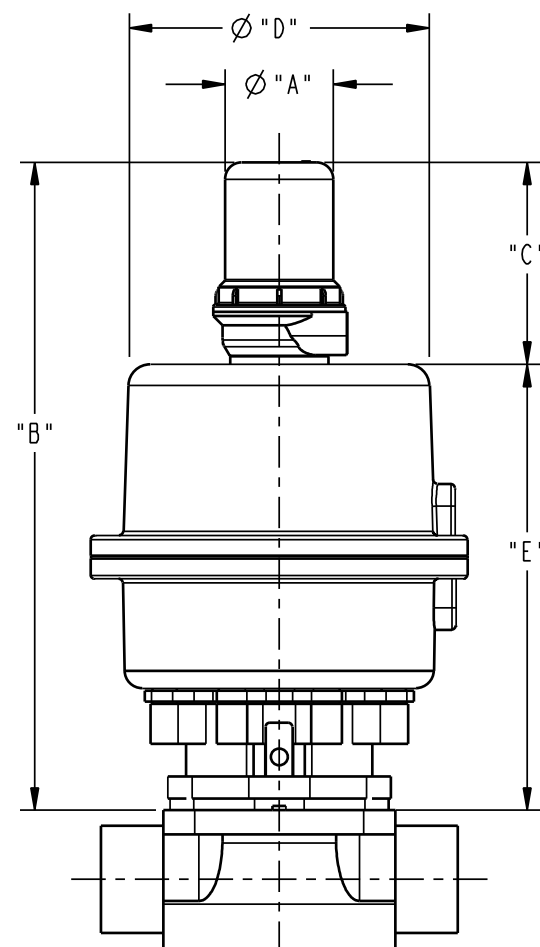
VALVE SIZE	Ø "A"	"B"	"C"	Ø "D"	"E"
BT 00.25 - 00.50 [DN6] - [DN15]	3.04 [77,2]	8.88 [225,6]	5.23 [132,8]	N/A	3.65 [92,7]
PF 00.50 [DN15]	3.04 [77,2]	8.22 [208,8]	5.23 [132,8]	N/A	4.20 [106,7]
00.75 [DN20]	3.04 [77,2]	10.38 [263,7]	5.23 [132,9]	3.00 [76,2]	5.15 [130,7]
01.00 [DN25]	3.04 [77,2]	10.55 [268,0]	5.23 [132,8]	3.00 [76,2]	5.32 [135,2]
01.50 [DN40]	3.04 [77,2]	13.91 [353,3]	5.26 [133,6]	4.88 [124,0]	8.66 [219,8]
02.00 [DN50]	3.04 [77,2]	13.91 [353,3]	5.26 [133,6]	4.88 [124,0]	8.66 [219,8]
02.50 ADV 33 [DN65]	3.04 [77,2]	18.19 [462,0]	5.69 [144,5]	8.41 [231,6]	12.50 [317,5]
03.00 ADV 33 [DN80]	3.04 [77,2]	18.19 [462,0]	5.69 [144,5]	8.41 [231,6]	12.50 [317,5]
04.00 ADV 33 [DN100]	3.04 [77,2]	18.76 [476,6]	5.69 [144,5]	8.41 [231,6]	13.08 [332,1]
02.50 ADV 47 [DN65]	3.04 [77,2]	25.22 [640,6]	9.72 [246,9]	8.25 [209,6]	15.50 [393,7]
03.00 ADV 47 [DN80]	3.04 [77,2]	25.22 [640,6]	9.72 [246,9]	8.25 [209,6]	15.50 [393,7]
04.00 ADV 47 [DN100]	3.04 [77,2]	25.81 [655,4]	9.72 [246,9]	8.25 [209,6]	16.09 [408,7]



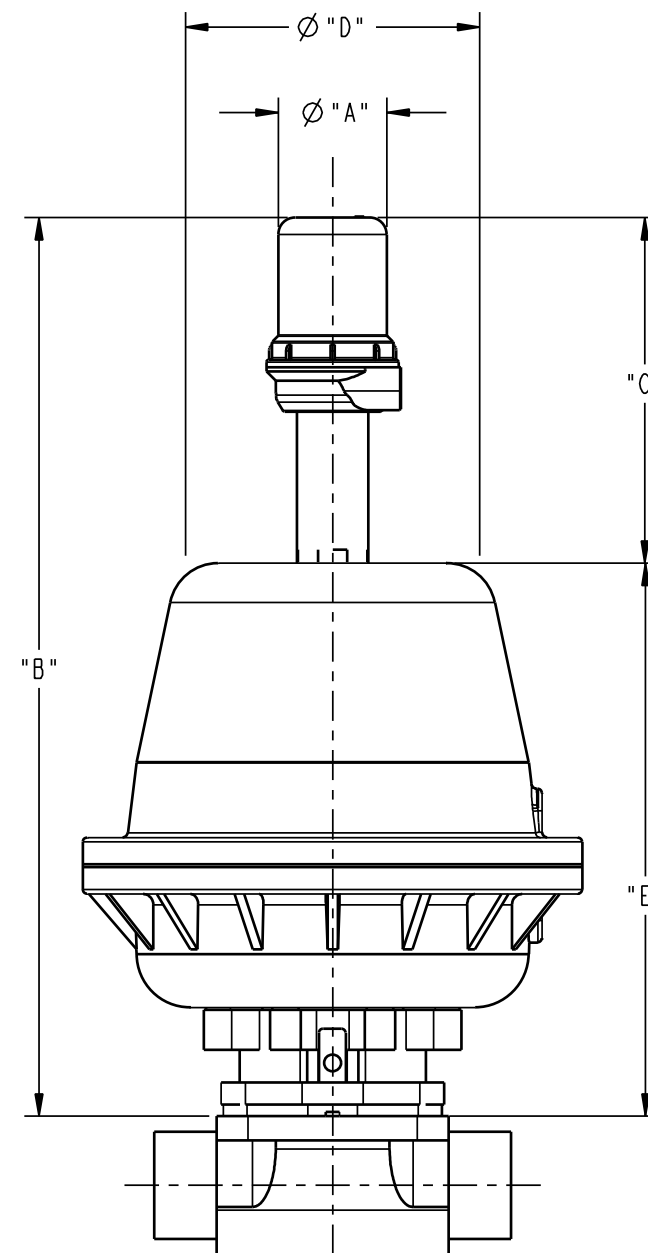
SIZES 00.25 - 01.00
31 ADV
36 ADV



SIZES 01.50 - 02.00
31 ADV
36 ADV

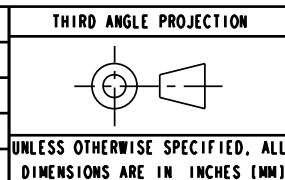


SIZES 02.50 - 04.00
ADV 33 SERIES



SIZES 02.50 - 04.00
ADV 47 SERIES

PURE-FLO ORDER: - ITEM: -
 CUSTOMER: -
 CUSTOMER PO: -
 OTHER INFO: -
 ISSUED BY: - CERTIFIED BY: -



UNLESS OTHERWISE NOTED	
INCH	MM
X : ± 0.06	X : ± 1,5
.X : ± 0.06	.X : ± 1,5
.XX : ± 0.06	.XX : ± 1,5
.XXX : ± 0.02	
X/X : ± 1/16	
X° : ± 1°	X° : ± 1°

DATE	BY	TOPWORKS OUTLINE
05/02/07	MJM	W/ SP-2 SWITCH & ADV ACTR
05/02/07	JRD	00.25 - 04.00
05/02/07	JRD	WT: - ECN# 10685 MASTER DWG 009600

ITT Pure-Flo
www.ittpureflo.com

SITE PA C 009600 REV -
SHEET 1 OF 1