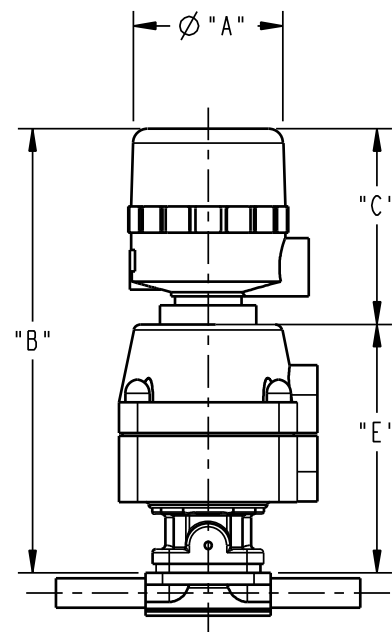


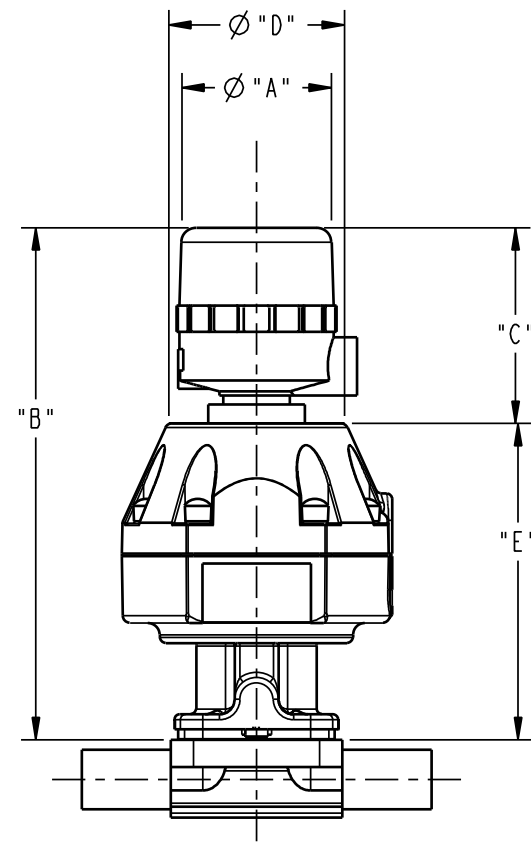
**FIGURE NUMBERS**

ASSEMBLY: -

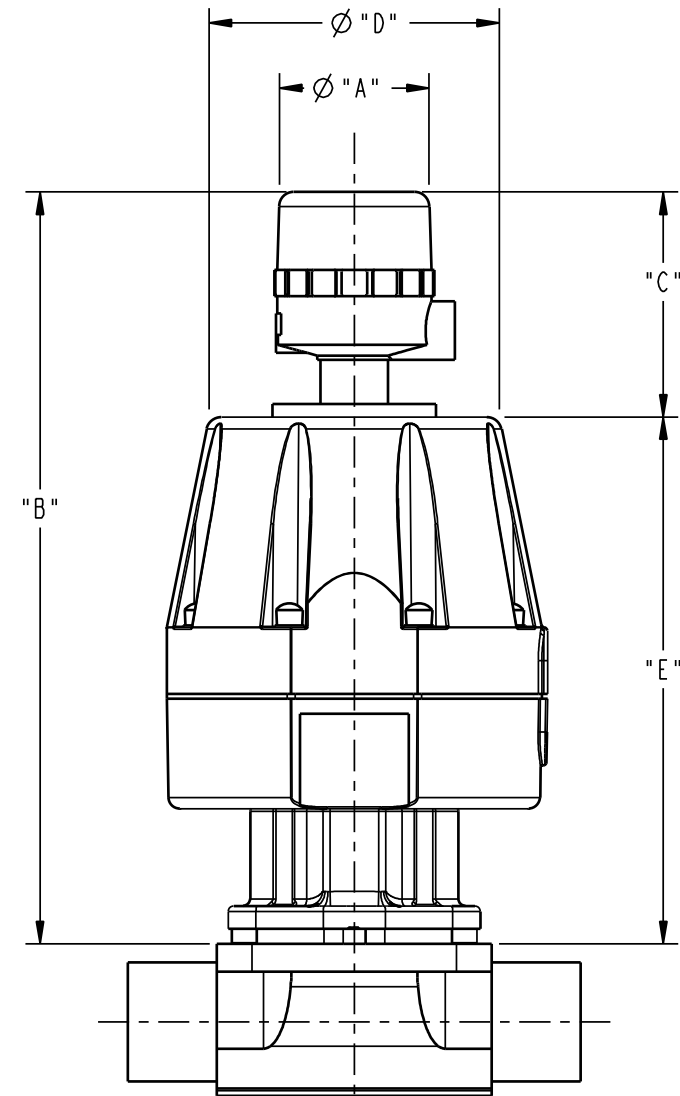
VALVE SIZE	Ø "A"	"B"	"C"	Ø "D"	"E"
BT 00.25 - 00.50 [DN6] - [DN15]	2.53 [64,3]	6.94 [176,3]	3.29 [83,6]	N/A	3.65 [92,7]
PF 00.50 [DN15]	2.53 [64,3]	7.49 [190,2]	3.29 [83,6]	N/A	4.20 [106,7]
00.75 [DN20]	2.53 [64,3]	8.44 [214,4]	3.29 [83,6]	3.00 [76,2]	5.15 [130,8]
01.00 [DN25]	2.53 [64,3]	8.61 [218,7]	3.29 [83,6]	3.00 [76,2]	5.32 [135,1]
01.50 [DN40]	2.53 [64,3]	12.44 [316,0]	3.78 [96,2]	4.88 [124,0]	8.66 [220,0]
02.00 [DN50]	2.53 [64,3]	12.44 [316,0]	3.78 [96,2]	4.88 [124,0]	8.66 [220,0]



SIZES 00.25 - 00.50  
31 ADV  
36 ADV



SIZES 00.75 - 01.00  
31 ADV  
36 ADV



SIZES 01.50 - 02.00  
31 ADV  
36 ADV

PURE-FLO ORDER: - ITEM: -  
 CUSTOMER: -  
 CUSTOMER PO: -  
 OTHER INFO: -  
 ISSUED BY: - CERTIFIED BY: -

THIRD ANGLE PROJECTION

UNLESS OTHERWISE NOTED

INCH		MM	
X	: ± 0.06	X	: ± 1,5
.X	: ± 0.06	.X	: ± 1,5
.XX	: ± 0.06	.XX	: ± 1,5
.XXX	: ± 0.02		
X/X	: ± 1/16		
X°	: ± 1°	X°	: ± 1°

UNLESS OTHERWISE SPECIFIED, ALL DIMENSIONS ARE IN INCHES (MM)

DATE	BY	TOPWORKS OUTLINE
DWN 03/01/07	MJM	W/ SP3 SWITCH & ADV ACTR
CHKD 03/01/07	JRD	00.25 - 02.00
APVD 03/01/07	JRD	WT: -

ECN# 10685 MASTER DWG 009602

ITT Pure-Flo  
www.ittpureflo.com

SITE PA	C	009602	REV -
		SHEET 1 OF 1	