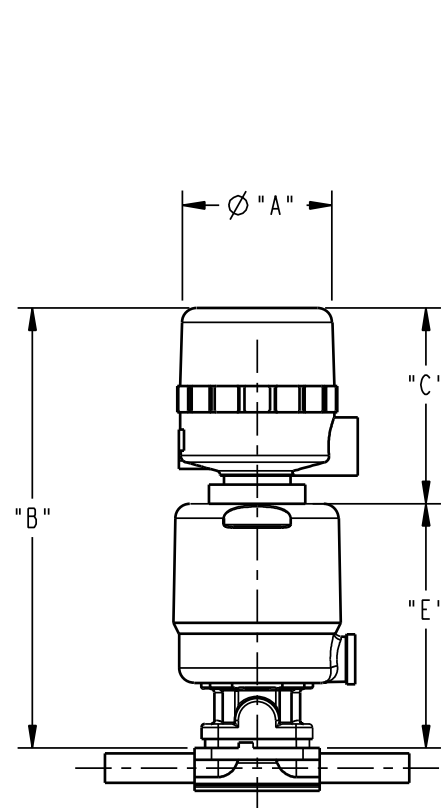


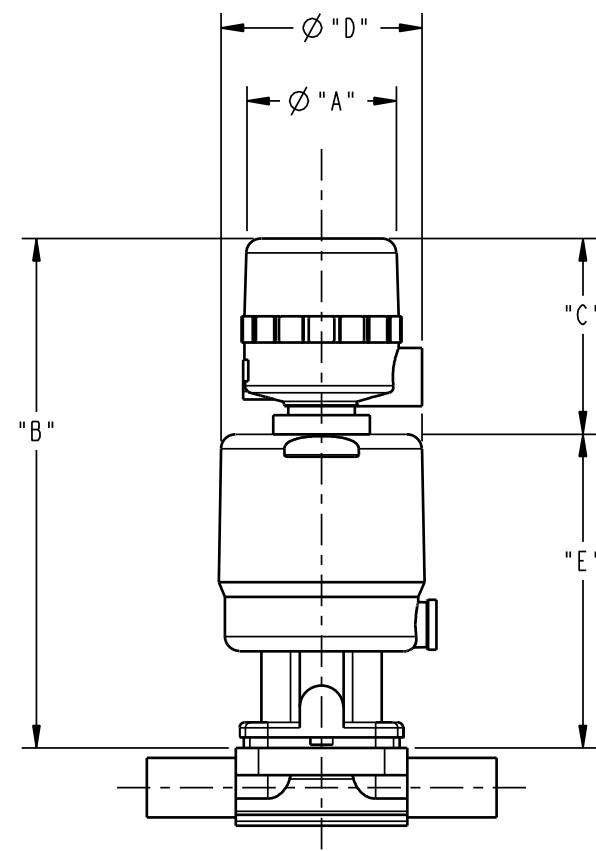
FIGURE NUMBERS

ASSEMBLY: -

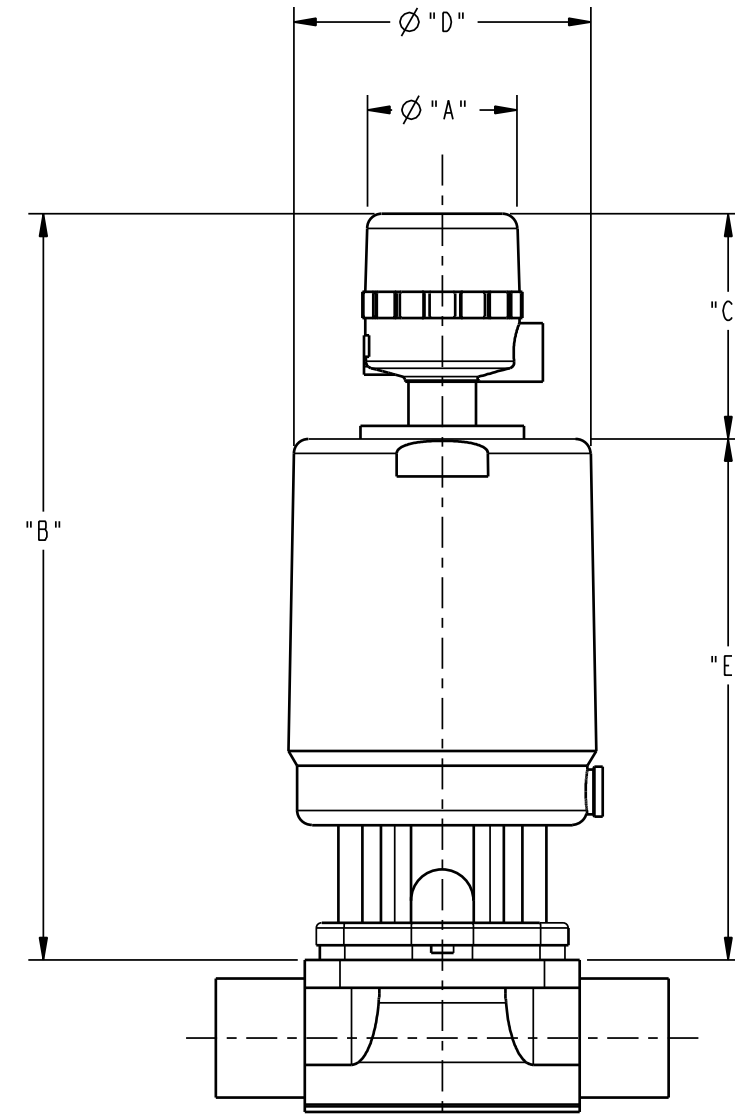
VALVE SIZE	Ø "A"	"B"	"C"	Ø "D"	"E"
PF 00.50 [DN15]	2.53 [64,3]	7.40 [188,0]	3.29 [83,6]	N/A	4.11 [104,4]
00.75 [DN20]	2.53 [64,3]	8.31 [211,1]	3.29 [83,6]	3.38 [85,9]	5.02 [127,5]
01.00 [DN25]	2.53 [64,3]	8.57 [217,7]	3.29 [83,6]	3.38 [85,9]	5.28 [134,1]
01.50 [DN40]	2.53 [64,3]	12.35 [313,7]	3.78 [96,2]	5.00 [127,0]	8.57 [217,7]
02.00 [DN50]	2.53 [64,3]	12.55 [318,8]	3.78 [96,2]	5.00 [127,0]	8.77 [222,8]



SIZE 00.50
APA



SIZES 00.75 - 01.00
APA



SIZES 01.50 - 02.00
APA

PURE-FLO ORDER: - ITEM: -
 CUSTOMER: -
 CUSTOMER PO: -
 OTHER INFO: -
 ISSUED BY: - CERTIFIED BY: -

THIRD ANGLE PROJECTION

UNLESS OTHERWISE SPECIFIED, ALL DIMENSIONS ARE IN INCHES (MM)

UNLESS OTHERWISE NOTED	
INCH	MM
X : ± 0.06	X : ± 1,5
.X : ± 0.06	.X : ± 1,5
.XX : ± 0.06	.XX : ± 1,5
.XXX : ± 0.02	.XXX : ± 0,5
X/X : ± 1/16	X/X : ± 1,5
X° : ± 1°	X° : ± 1°

DATE	BY	TOPWORKS OUTLINE
04/30/07	MJM	W/ SP3 SWITCH & APA ACTR
04/30/07	JRD	00.25 - 02.00
04/30/07	JRD	WT: -

ITT Pure-Flo
www.ittpureflo.com

MASTER DWG 009603	SITE PA	C	009603 SHEET 1 OF 1	REV A
----------------------	------------	---	------------------------	----------